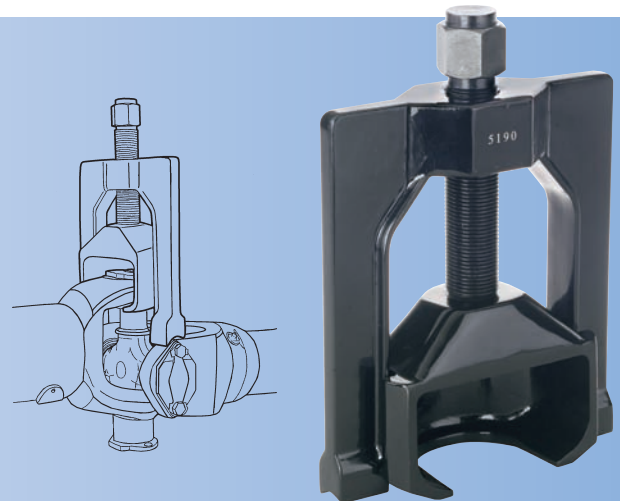


Heavy-Duty U-Joint Puller

The ideal tool for disassembling drivelines.

- May be used with up to a one-inch impact wrench.
- Quickly and easily removes sealed U-joint cups without the need for hammering or heat.
- Will not damage the driveshaft, yoke, bearing cups, or joints.
- Fits practically all Class 7 and 8 trucks, including:
Spicer driveline 1610, 1710, 1760, 1810, 1880
Spicer SPL 140, 170, and 250 "Life Series"
Meritor (Rockwell) 16N, 17N, 18N, 1710
Meritor RPL 20 and 25 "Permalube" Series

No. 5190 – Heavy-duty universal joint puller.



Heavy-Duty Bearing Cup Installer

Quickly and easily installs bearing cups on Dana/Spicer SPL "Life Series" quick-disconnect universal joints.

- Three individual adapters press bearings to the manufacturer's recommended depths.
- Adapters fit Spicer SPL 140, 170, and 250 series drivelines.

No. 5191 – Heavy-duty bearing cup installer.



Heavy-Duty Bearing Cup Installer

Quickly and easily installs bearing cups on bolt-retained universal joints. Fits series 1610 to 1880 and nearly all other heavy-duty truck and machine type u-joints with bolt-retained bearing cups.

- Automatically aligns bearing cups during installation.
- Eliminates the possibility of damage to the needle bearing.

No. 5192 – Heavy-duty bearing cup installer.

