



4527 5-Ton Single Pressure Beam Bearing Splitter Set

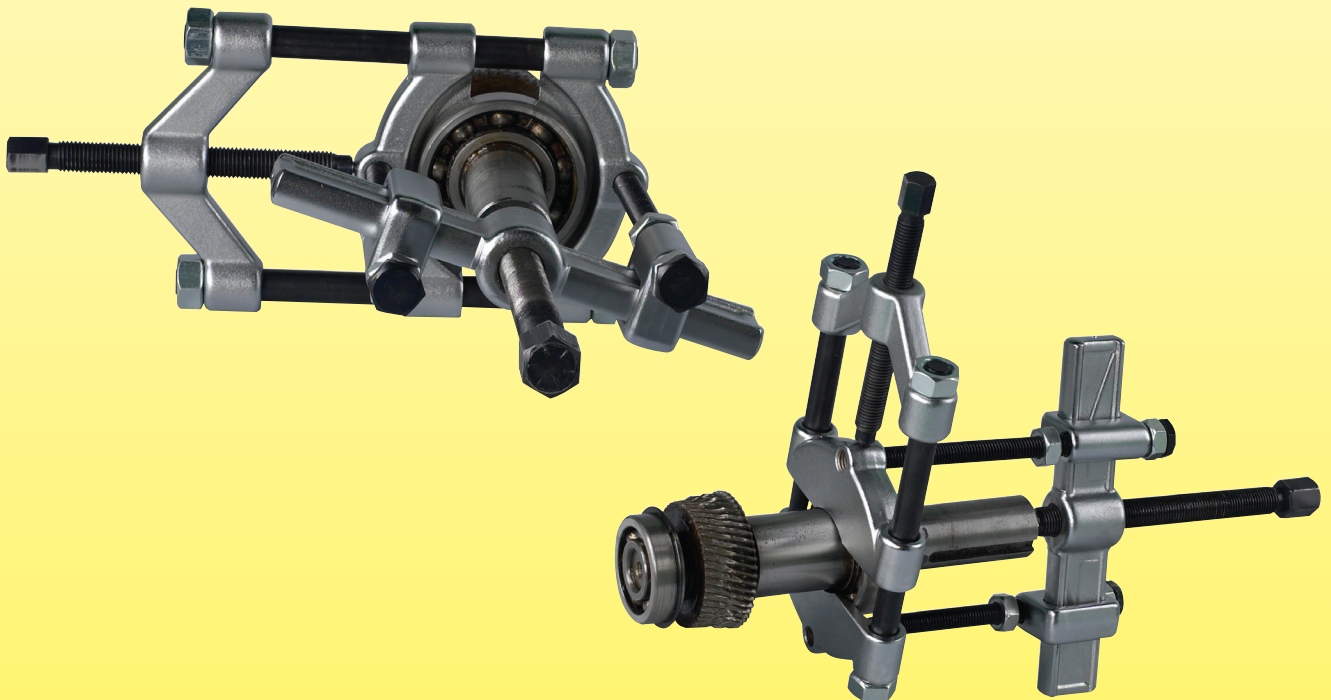
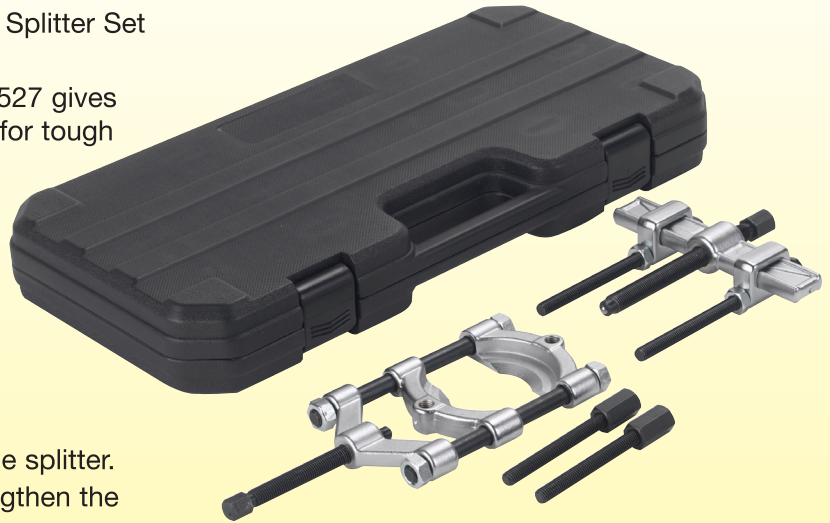
Stinger Series Tools by OTC

Presents 4527
5-Ton Single Pressure Beam Bearing Splitter Set

With it's unique pressure beam the 4527 gives service professionals another option for tough pulling assignments.

Features:

- Single point of adjustment allows quick attachment of splitter to the application.
- Pressure beam provides the ultimate in secure gripping surface.
- Push Puller is thread matched to the splitter.
- Interchangeable legs shorten or lengthen the range of pull.
- Designed of high quality tool grade materials for a lifetime of use.
- For use on most bushing or bearing jobs up to 3" in diameter.



08-190 Rev. A ©2008 SPX. All rights reserved. Because of ongoing product improvements, we reserve the right to change design, materials, and specifications without notice. Product shipped may differ from photo(s) shown.



800-533-6127

www.otctools.com

