



655 EISENHOWER DRIVE  
OWATONNA, MN 55060 USA  
PHONE: (507) 455-7000  
TECH. SERV.: (800) 533-6127  
FAX: (800) 955-8329  
ORDER ENTRY: (800) 533-6127  
FAX: (800) 283-8665  
INTERNATIONAL SALES: (507) 455-7223  
FAX: (507) 455-7063

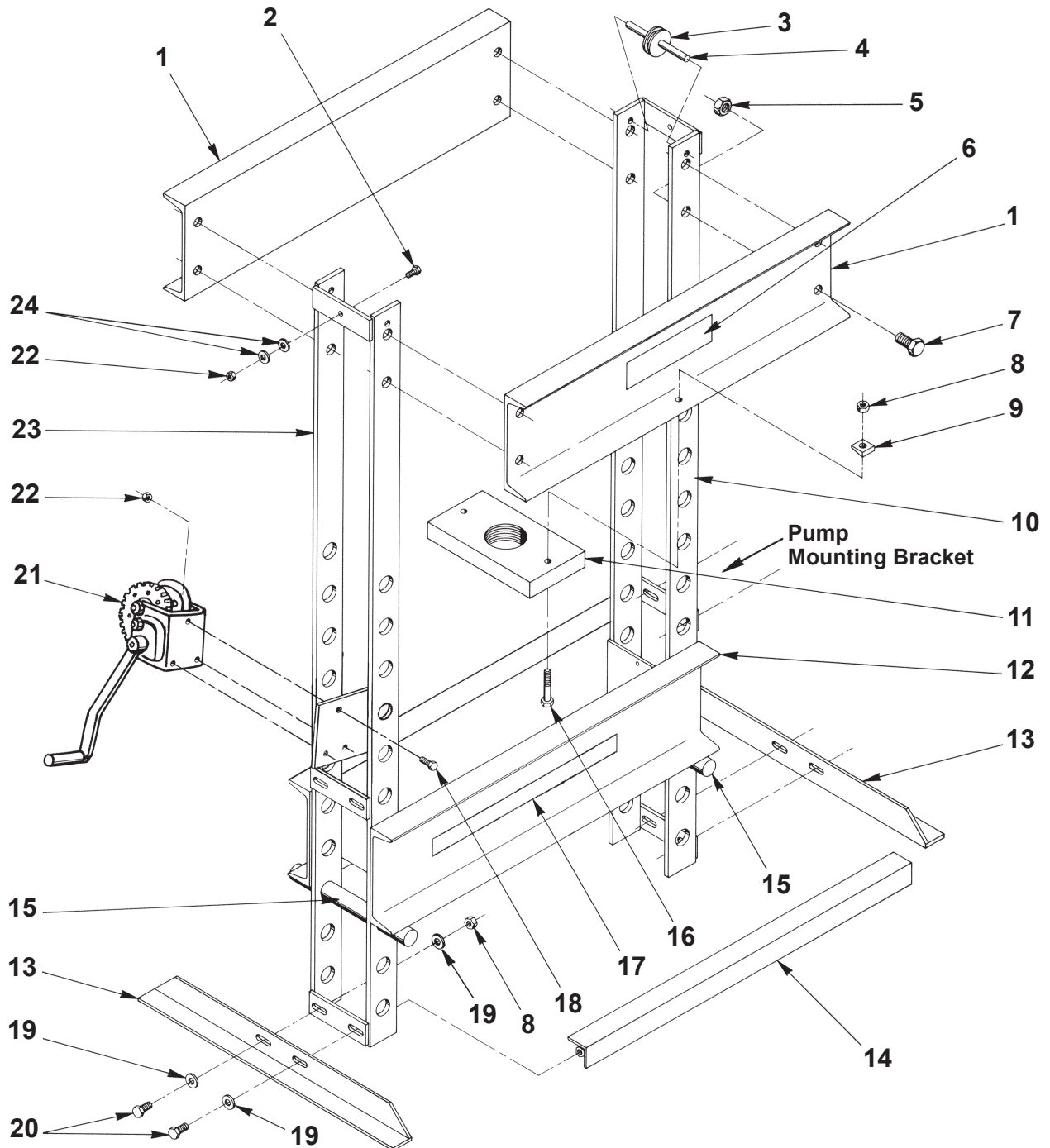
Form No. 100551

Parts List  
for:

1833  
1834  
014-00085

## Shop Press

Maximum Capacity: 25 Tons (22679 kg)



Sheet No. 1 of 2

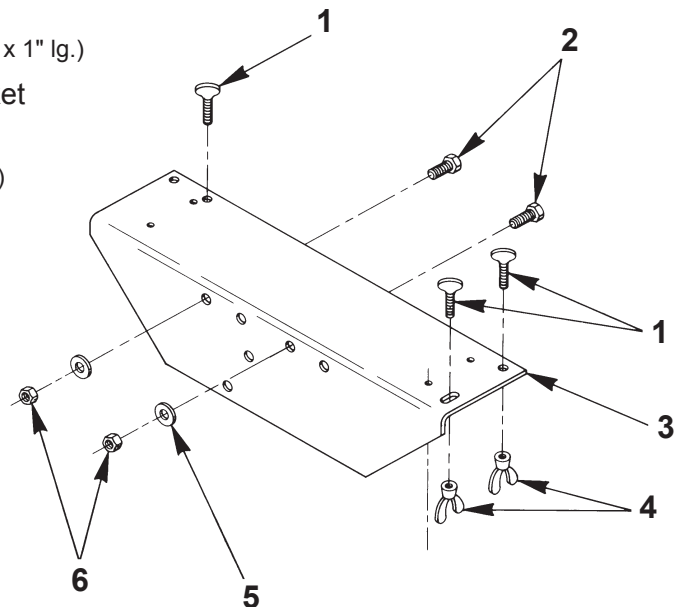
Issue Date: Rev. F, October 30, 2017

Item No.	Part No.	No. Reqd.	Description	Item No.	Part No.	No. Reqd.	Description
-	<b>60178</b>	1	Press Frame only (for 1833, 1834)	13	<b>304485</b>	2	Foot Angle
-	<b>203400</b>	1	Press Frame only (for 014-00085)	14	<b>35573</b>	1	Spacer Angle
1	<b>34809</b>	2	Upper Bolster	15	<b>34555</b>	2	Bolster Pin
2	<b>10046</b>	1	Cap Screw (3/8-16 UNC x 3/4" lg.)	16	<b>10090</b>	2	Cap Screw (1/2-13 UNC x 2-3/4" lg.)
3	<b>29695</b>	3	Pulley	17	<b>46896</b>	1	Warning Decal
4	<b>29696</b>	2	Pulley Axle	18	<b>10049</b>	3	Cap Screw (3/8-16 UNC x 1" lg.)
5	<b>10216</b>	8	Nut (3/4-10 UNC)	19	<b>12004</b>	6	Washer (1/2" bolt)
6	<b>14601</b>	1	Trade Name Decal (for 1833 & 1834)	20	<b>10080</b>	4	Cap Screw (1/2-13 UNC x 1-1/4" lg.)
7	<b>10118</b>	8	Cap Screw (3/4-10 UNC x 1-1/2" lg.)	21	<b>18895-1</b>	1	Winch
8	<b>10208</b>	4	Nut (1/2-13 UNC)	22	<b>10204</b>	4	Nut (3/8-16 UNC)
9	<b>10610</b>	2	Beveled Washer (1/2" bolt)	23	<b>52150</b>	1	L.H. Upright
10	<b>52149</b>	1	R.H. Upright	24	<b>10231</b>	2	Washer (for 3/8" bolt)
11	<b>41629</b>	1	Cylinder Mounting Plate				<b>Not Shown</b>
12	<b>50760</b>	1	Lower Bolster		<b>51426A</b>	1	Cylinder Assembly

### Pump Mounting Bracket

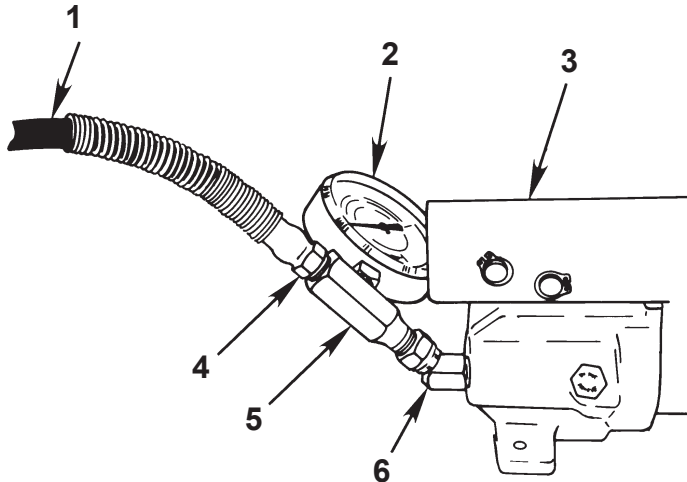
(used on 1833, 014-00085)

Item No.	Part No.	No. Reqd.	Description
1	<b>12680</b>	3	Thumb Screw
2	<b>10049</b>	2	Cap Screw (3/8-16 UNC x 1" lg.)
3	<b>42733</b>	1	Pump Mounting Bracket
4	<b>10590</b>	3	Wing Nut (for 1833)
	<b>12029</b>	3	Wing Nut (for 014-00085)
5	<b>10231</b>	2	Washer (3/8" bolt)
6	<b>12013</b>	2	Locknut



### Hand Pump

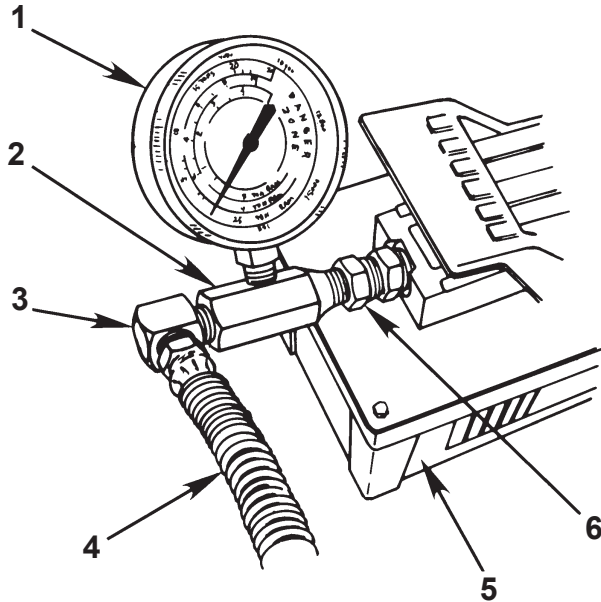
(used on 1833, 014-00085)



Item No.	Part No.	No. Reqd.	Description
1	36886	1	Hydraulic Hose
2	16715	1	Gauge (for 1833)
	16457	1	Gauge (for 014-00085)
3	4012A	1	Hand Pump (for 1833)
	61522	1	Hand Pump (for 014-00085)
4	10469	1	Straight Fitting
5	24815	1	Tee Adapter
6	10648	1	45° Fitting

### Air Pump

(used on 1834)



Item No.	Part No.	No. Reqd.	Description
1	16715	1	Gauge
2	24815	1	Tee Adapter
3	10474	1	90° Elbow
4	36887	1	Hydraulic Hose
5	4020	1	Air Pump
6	10469	2	Straight Fitting



Get parts at [OTCparts.com](http://OTCparts.com)

This document contains product parts lists and information regarding operation and maintenance. Items listed in the parts list have been carefully tested and selected by OTC. Therefore, use only OTC replacement parts.

Product questions may be directed to the OTC Technical Service Department at (800) 533-6127.

### Cable Assembly

Item No.	Part No.	No. Reqd.	Description
1	12809	2	Locknut (1/4-20 UNC)
2	10019	2	Cap Screw (1/4-20 UNC x 1-1/4" Lg.)
3	204730	1	Winch Cable
4	35730	1	Pulley Bracket
5	16385	1	Clevis Pin
6	10524	1	Cotter Pin
7	200988	1	Press Cable

