



655 Eisenhower Drive  
 Owatonna, MN 55060 USA  
 Phone: (507) 455-7000  
 Tech. Serv.: (800) 533-6127  
 Fax: (800) 955-8329  
 Order Entry: (800) 533-6127  
 Fax: (800) 283-8665  
 International Sales: (507) 455-7223  
 Fax: (507) 455-7063

Form No. 100570

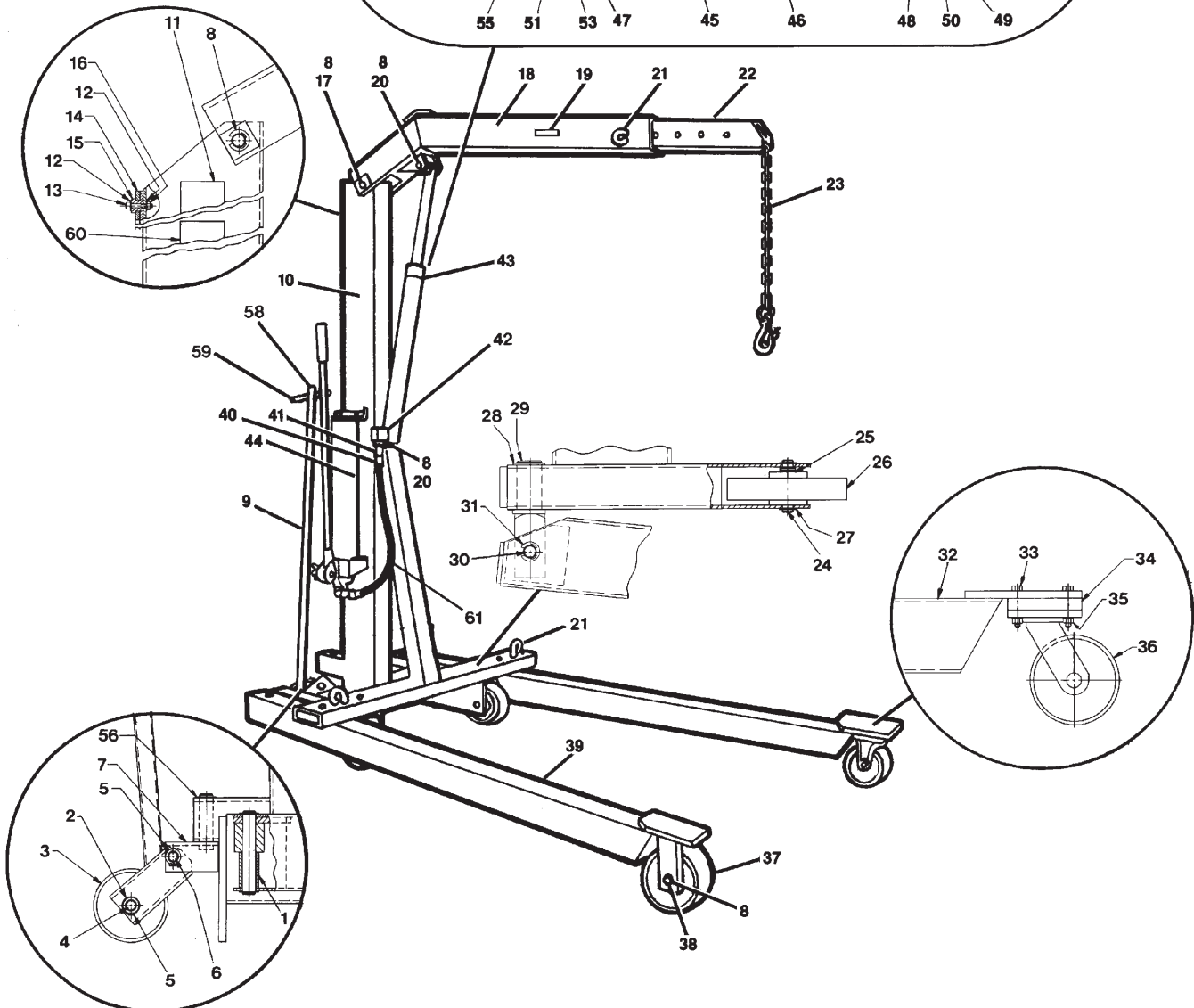
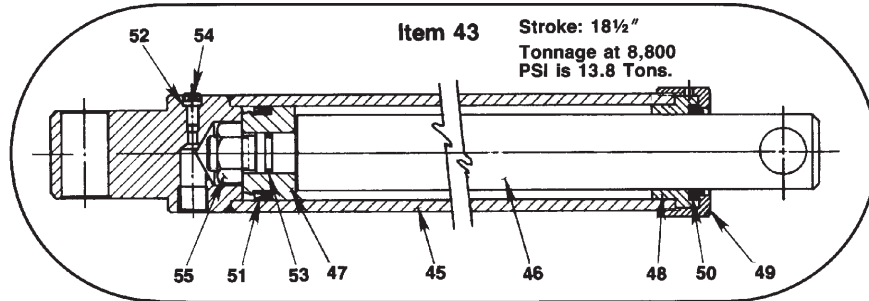
Parts List  
 for:

1820  
 D01002AA

## Mobile Floor Crane

Max. Capacity: 4,400 lbs.  
 (boom retracted)

Max. Capacity: 3,300 lbs.  
 (boom extended)



Sheet No. 1 of 1

Issue Date: Rev. D, October 9, 2014

# Parts List

Form No. 100570, Sheet 1 of 1, Back

Item No.	Part No.	No. Req'd	Description
1	<b>28697</b>	2	Spacer
2	<b>12330</b>	2	Washer (for 3/4-in. bolt)
3	<b>12078-1</b>	1	Wheel
4	<b>309262</b>	1	Pin
5	<b>14855</b>	4	Retaining Ring (for 3/4-in. shaft)
6	<b>309260</b>	1	Pin
7	<b>47762</b>	1	Dolly Pivot Block
8	<b>11903</b>	8	Retaining Ring (for 1-in. shaft)
9	<b>53422</b>	1	Dolly Assembly
10	<b>60155</b>	1	Frame Assembly
11	<b>308833</b>	2	Warning Decal
12	<b>10257</b>	2	Washer (for 5/16" bolt)
13	<b>10948</b>	1	Cap Screw (5/16-18 x 1 1/2 lg.)
14	<b>38842</b>	2	Leg Catch
15	<b>205052</b>	1	Spacer
16	<b>13116</b>	1	Locknut (5/16-18)
17	<b>24122</b>	1	Pin
18	<b>41408</b>	1	Boom Assembly
19	<b>304665</b>	1	Capacity Decal
20	<b>28695</b>	2	Pin
21	<b>220064</b>	3	Pin
22	<b>41407</b>	1	Boom Extension
23	<b>39611</b>	1	Chain Assembly
24	<b>28592</b>	2	Pin
25	<b>14857</b>	6	Washer (for 3/4-in. bolt)
26	<b>215200</b>	2	Wheel
27	<b>11902</b>	4	Retaining Ring (for 3/4-in. shaft)
28	<b>14277</b>	2	Retaining Ring (for 1 3/4-in. shaft)
29	<b>34168</b>	2	Pivot Pin
30	<b>28696</b>	2	Pin
31	<b>11919</b>	4	External Ring (for 7/8-in. shaft)
32	<b>41413</b>	1	L.H. Leg

Item No.	Part No.	No. Req'd	Description
33	<b>17243</b>	4	Cap Screw (3/8-16 x 2 1/2 lg.)
34	<b>306283</b>	2	Spacer
35	<b>12353</b>	4	Hex Nut (3/8-16)
36	<b>12342-1</b>	1	Caster Wheel
37	<b>12026-1</b>	1	Wheel
38	<b>24107</b>	1	Pin
39	<b>41414</b>	1	R.H. Leg
40	<b>13273</b>	1	Plug
41	<b>10469</b>	1	Adapter Union
42	<b>28824</b>	1	Flow Control Valve
43	<b>41398</b>	1	Cylinder Assembly (consists of items 45 through 55)
44	<b>61871</b>	1	Pump Ass'y (8,700/9,300 PSI)
45	<b>34128</b>	1	Cylinder
46	<b>34130</b>	1	Piston Rod
47	<b>28640</b>	1	Piston Head
48	<b>28639</b>	1	Guide
49	<b>28641</b>	1	Collar
50*	<b>14257</b>	1	Rod Wiper
51*	<b>11368</b>	1	U-cup
52*	<b>10442</b>	1	Soft Copper Washer (3/8 x 1/4 x 1/32)
53*	<b>10274</b>	1	O-ring (3/8 x 11/16 x 3/32, -115)
54	<b>10002</b>	1	Cap Screw (1/4-20 x 3/8-in. lg.)
55	<b>14256</b>	1	Locknut (3/4-16 UNF)
56	<b>11998</b>	1	Retaining Ring (for 1-in. shaft)
58	<b>207655</b>	1	Tube Cap
59	<b>18267</b>	2	Hand Grip
60	<b>11280</b>	2	Trade Name Decal
61	<b>36890</b>	1	Hose Assembly

\* Part included in repair kit 300376.

Refer to any operating instructions included with this product for detailed information about operation, testing, disassembly, reassembly, and preventive maintenance.

Items found in this parts list have been carefully tested and selected. **Therefore: Use only genuine replacement parts!**

Additional questions can be directed to our Technical Services Department.