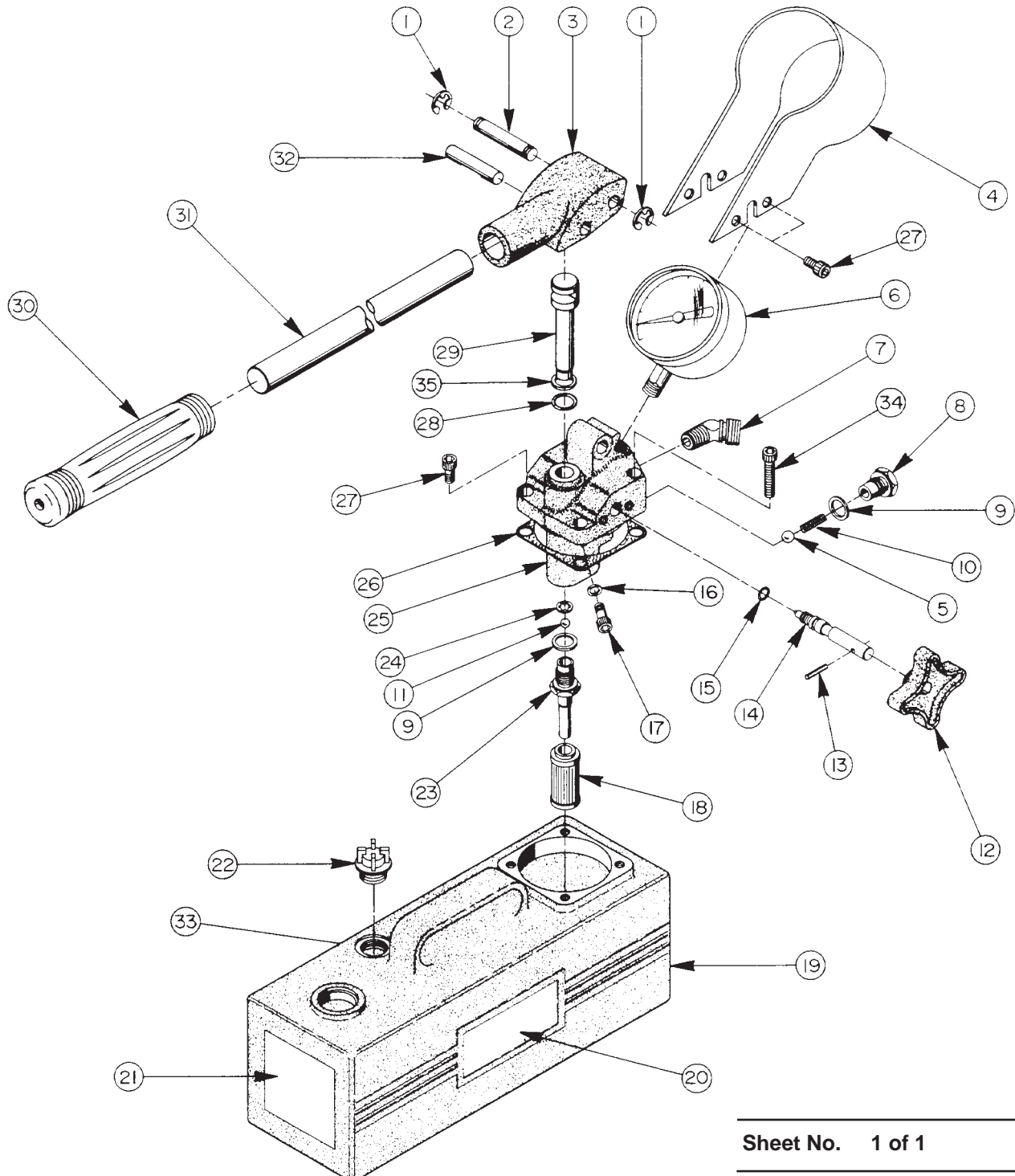


MODEL B FUEL INJECTION NOZZLE TESTER



Parts List, Form No. 100728, Back sheet 1 of 1

| Item No. | Part No. | No. Req'd | Description |
|----------|----------|-----------|--|
| 1 | 11032 | 2 | Retaining Ring (For 3/8" shaft) |
| 2 | 23088 | 1 | Clevis Pin |
| 3 | 32201BK2 | 1 | Lever |
| 4 | 45987 | 1 | Gauge Guard |
| 5 | *10377 | 1 | Steel Ball (5/16 Dia.) |
| 6 | 11565 | 1 | Pressure Gauge |
| 7 | 23485 | 1 | Elbow |
| 8 | 21704 | 1 | Valve Screw (Torque to 35/40 ft. lbs.) |
| 9 | *10901 | 2 | Brass Washer (11/16 X .513 X 1/16) |
| 10 | *11451 | 1 | Compression Spring (1/4 O.D. X 5/8 Lg.) |
| 11 | *10375 | 1 | Steel Ball (1/4 Dia.) |
| 12 | 23272 | 3 | Knob |
| 13 | 10895 | 3 | Roll Pin (1/8 Dia. X 3/4 Lg.) |
| 14 | 23271 | 3 | Regulator valve Stem |
| 15 | *10266 | 3 | O-ring (3/8 x 1/4 X 1/16) |
| 16 | *10442 | 1 | Copper Washer (3/8 X 1/4 X 1/32) |
| 17 | 10002 | 1 | Soc. Hd. Cap Screw (1/4-20 X 3/8 Lg.; Torque to 110/120 in. lbs.) |
| 18 | 17169 | 1 | Filter Element (2 Micron) |
| 19 | 40559BL2 | 1 | Reservoir |
| 20 | 215394 | 1 | Trade Name Decal |
| 21 | 12049 | 1 | Decal (Valve Identification) |
| 22 | 20937 | 1 | Filler Plug |
| 23 | 24156 | 1 | Filter Connector (Torque to 45/50 ft. lbs.) |
| 24 | *11563 | 1 | Retaining Ring (For 7/32 shaft) |
| 25 | 61951 | 1 | Pump Body |
| 26 | *23276 | 1 | Pump Body Gasket |
| 27 | 10807 | 6 | Soc. Hd. Cap Screw (1/4-20 X 1/2 Lg.) |
| 28 | *11564 | 1 | O-ring (11/16 X 1/2 X 3/32) |
| 29 | 23117 | 1 | Piston |
| 30 | 12325 | 1 | Flex Grip |
| 31 | 23120 | 1 | Handle |
| 32 | 21645 | 1 | Wrist Pin |
| 33 | 306414 | 1 | Warning Decal |
| 34 | 10020 | 2 | Soc. Hd. Cap Screw (1/4-20 X 1-1/4 Lg.) |
| 35 | *213987 | 1 | Backup Washer (11/16 X 1/2 X 3/64) |

Part numbers marked with an asterisk (*) are contained in Repair Kit No. 300499.

Refer to any operating instructions included with this product for detailed information about operation, testing, disassembly, reassembly, and preventive maintenance.

Items found in this parts list have been carefully tested and selected. **Therefore: Use only genuine replacement parts!**

Additional questions can be directed to our Technical Services Department.

Note: Shaded areas reflect last revision(s) made to this form.