



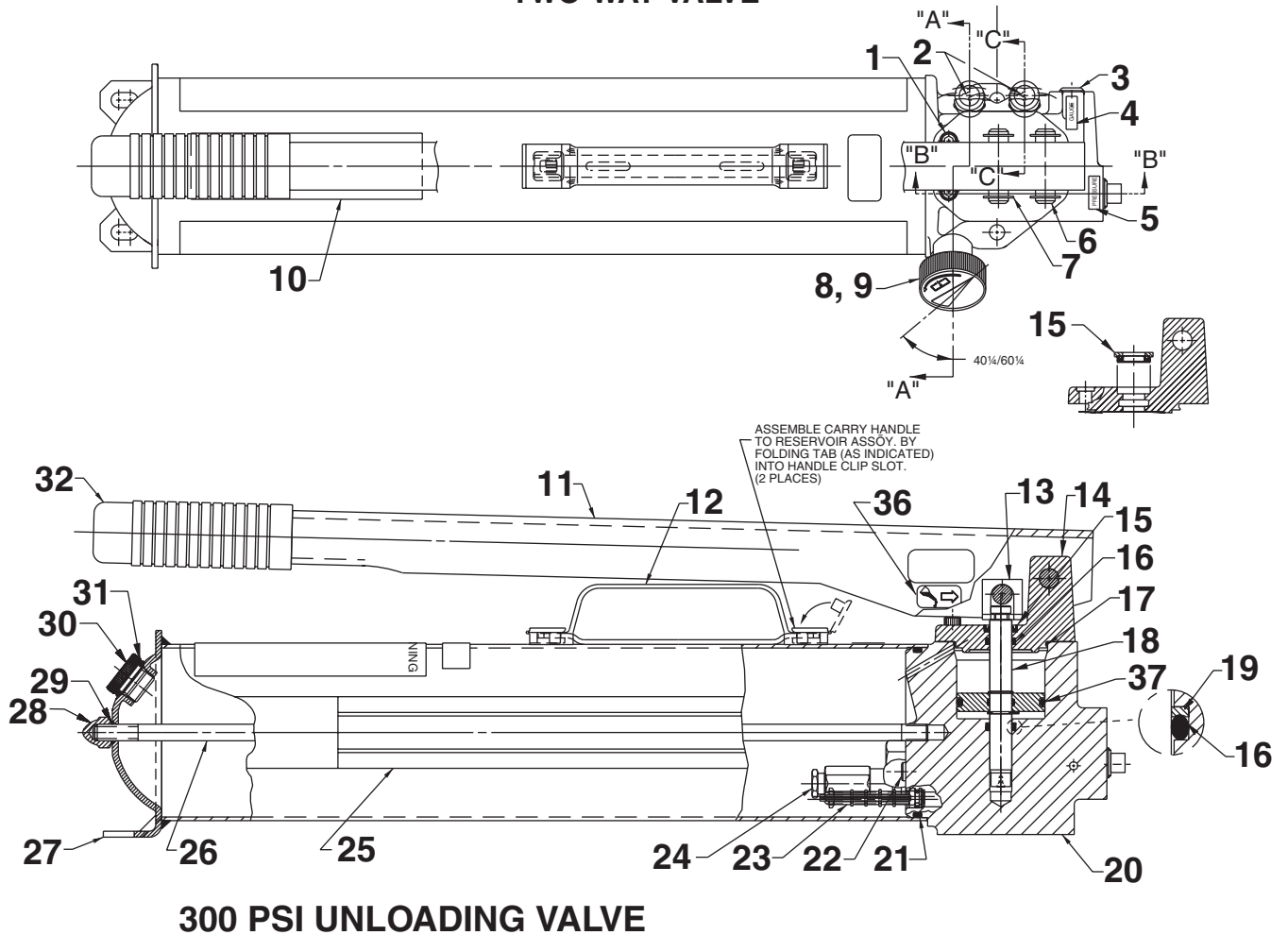
SPX Corporation
 655 Eisenhower Drive
 Owatonna, MN 55060-0995 USA
 Phone: (507) 455-7000
 Tech. Serv.: (800) 533-6127
 Fax: (800) 955-8329
 Order Entry: (800) 533-6127
 Fax: (800) 283-8665
 International Sales: (507) 455-7223
 Fax: (507) 455-7063

Form No. 101800

Parts List for:

4016
 61821
 61871
 61872
 JT05845

MODEL C
TWO-STAGE HYDRAULIC HAND PUMP
TWO-WAY VALVE



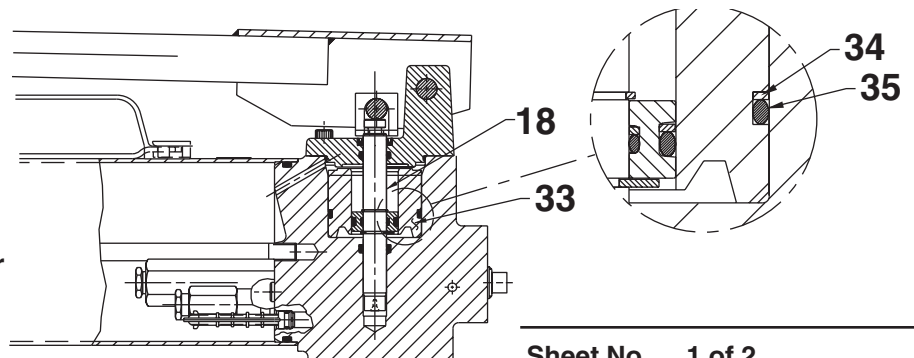
300 PSI UNLOADING VALVE

1000 & 1400 PSI UNLOADING VALVE



WARNING

To help prevent personal injury, all repairs **MUST** be performed by a qualified person trained in the repair of hydraulic equipment.



Sheet No. 1 of 2

Rev. 5

Date: 11 April 2005

Parts List, Form No. 101800, Back sheet 1 of 2

Item No.	Part No.	No. Req'd	Description	Item No.	Part No.	No. Req'd	Description
1	251564	4	Cap Screw (1/4-20 UNC x 3/4 Lg.; Torque to 200 in. lbs.)				models except 61871)
2	†*215907	2	Decal (DO NOT REMOVE)		21278-86	1	High Pressure Relief Valve (Set at 8,700/9,300 PSI; For 61871)
3	14972	1	Plug (1/4 NPTF)	25	308477	1	Trade Name Decal (For 4016)
4	215300	1	Decal (GAUGE)		201826	1	Trade Name Decal (Service Guard; For JT05845)
5	215301	1	Decal (PRESSURE)		201829	1	Trade Name Decal (Rotunda; For 61821)
6	211742	2	Dowel Pin	26	252502	1	Tie Rod
7	211743	4	Retaining Ring (For 7/16" shaft. Note: Expand the retaining ring to .440 dia. maximum during installation.)	27	58915	1	Reservoir
8	351087	1	Knob	28	10842	1	Hex Cap Nut (3/8-16 UNC; Torque to 90/110 in. lbs. Fully engage acorn nut onto tie rod before torquing to body.)
9	10556	2	Set Screw (Torque to 50/70 in. lbs. Note: Screw in valve stem until seated (bottomed out). Then position knob as shown approximately 1/16" from casting surface. Lock in place with set screw)	29	13943	1	O-ring (1/2 X 3/8 X 1/16; Urethane)
10	*305977	1	Warning Decal		11439	1	O-ring (1/2 X 3/8 X 1/16; Viton)
11	61806BL2	1	Handle (For 4016)		17716	1	O-ring (1/2 X 3/8 X 1/16; EPR)
	61806WH2	1	Handle (For 61821 & JT05845)	30	351245	1	Filler Cap
	47417	1	Handle Assembly (For 61871 & 61872)	31	10274	1	O-ring (.87 x .68; Nitrile)
12	58048	1	Carry Handle		253597	1	O-ring (.87 x .68; Viton)
13	350923	1	Piston Clip	32	253598	1	O-ring (.87 x .68; EPR)
14	58485WH2	1	Pump Body Cap (Iron)		211769	1	Handle Grip (For JT05845, 4016 & 61821)
15	*15092	1	Rod Wiper		206731	1	Handle Grip (For 61871 & 61872)
	†19321	1	Rod Wiper	33	308486	1	Adapter (For 61871 & 61872)
	•250841	1	Rod Wiper	34	†19137	1	O-ring Backup Washer (2" x 1-13/16 x 3/64)
16	*10271	2	O-ring (11/16 x 1/2 x 3/32)		*10913	1	O-ring (2" x 1-13/16 x 3/32)
	†11445	2	O-ring (11/16 x 1/2 x 3/32)	35	†19015	1	O-ring
	•19406	2	O-ring (11/16 x 1/2 x 3/32)		•14287	1	O-ring
17	*251603	1	O-ring (2-1/8 X 2" X 1/16)	36	2532434	1	Decal, Oil Pivot Pins
	†18985	1	O-ring (2-1/8 X 2" X 1/16)	37	*10294	1	O-ring (2.00 x 1.75 Nitrile)
	•251604	1	O-ring (2-1/8 X 2" X 1/16)		†11447	1	O-ring (2.00 x 1.75 Viton)
18	253268	1	Piston Ass'y (For 4016, 61821 & JT05845)		•215366	1	O-ring (2.00 x 1.75 EPR)
	253270	1	Piston Ass'y (For 61871 & 61872)	PARTS INCLUDED BUT NOT SHOWN			
19	†*213987	1	O-ring Backup Washer (Note: Assemble with concave surface toward o-ring.)		10029	4	Cap Screw (5/16-18 UNC x 3/4 Lg.; For 61871 & 61872)
20	64597	1	Pump Body (Includes pin [Item #24 on back sheet 2 of 2].)		10474	1	Fitting (For 61871)
21	*214693	1	O-ring (3-7/8 x 3-5/8 x 1/8)		36890	1	Hose Assembly (For 61871)
	†19048	1	O-ring (3-7/8 x 3-5/8 x 1/8)		201826	1	Trade Name Decal (For JT05845)
	•214072	1	O-ring (3-7/8 x 3-5/8 x 1/8)		†205724	1	Decal (Viton seals)
22	10427	1	Plug (1/8 NPTF)		•250328	1	Decal (EPR seals)
23	*215075	1	Filter Plug		308588	1	Handle Retainer (For 61871 & 61872)
24	21278	1	High Pressure Relief Valve (Set at 10,100/10,700 PSI; For all				

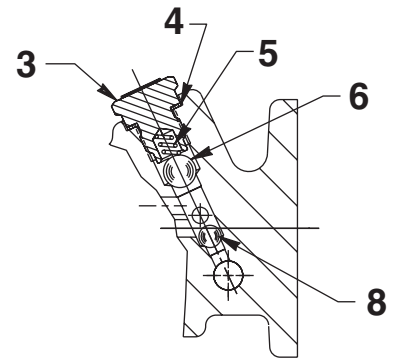
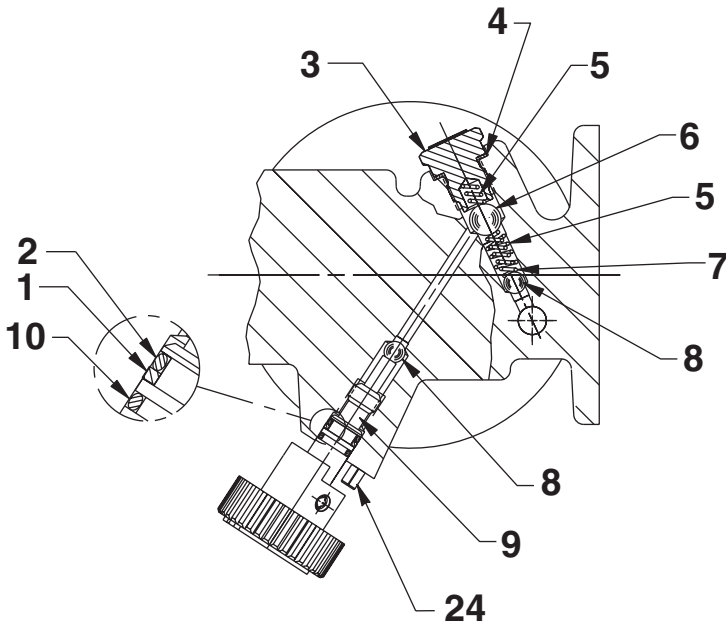
Part numbers marked with an asterisk (*) are contained in Standard Repair Kit No. 300942.

Part numbers marked with a dagger (†) are contained in Viton Seal Kit No. 300690.

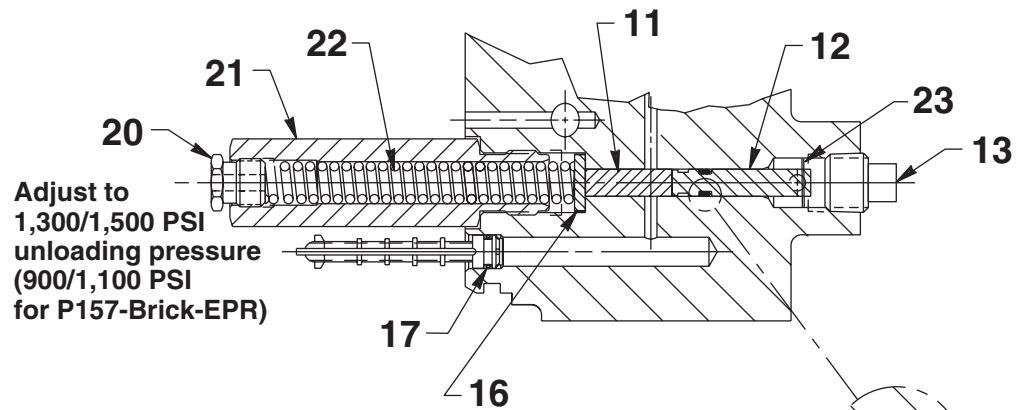
Part numbers marked with a bullet (•) are contained in EPR Seal Kit No. 300691.

Note: Shaded areas reflect last revision(s) made to this form.

SECTION VIEWS

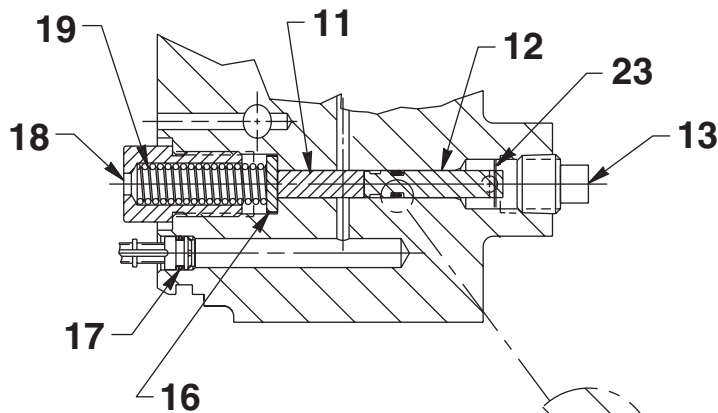


1000 & 1400 PSI UNLOADING VALVE



SECTION B-B

300 PSI UNLOADING VALVE



SECTION B-B

Parts List, Form No. 101800, Back sheet 2 of 2

Item No.	Part No.	No. Req'd	Description
1	*†•15085	1	O-ring Backup Washer (7/16 x 5/16 x 3/64)
2	*10267	1	O-ring (7/16 x 5/16 x 1/16)
	†18974	1	O-ring
	•13472	1	O-ring
3	351952	2	Valve Screw (Torque to 350/370 in. lbs.)
4	*14874	2	Copper Washer (.700 x 1/2 x 1/32 thk.)
5	*10444	3	Compression Spring (3/16 I.D. x 13/32 Lg.)
6	*10378	2	Steel Ball (3/8 Dia.)
7	*211797	1	Compression Spring (5/32 O.D. x 5/8 Lg.)
8	*10375	3	Steel Ball (1/4 dia.)
9	350185	1	Release Valve Screw
10	14763	1	O-ring (.43 x .31; Urethane)
11	14588	1	Dowel Pin
12	252275	1	Unloading Valve Piston Kit (Includes #252273 [Item #23] retaining ring & unloading valve piston)
13	11127	1	Plug (3/8 NPTF)
14	*10265	1	O-ring (5/16 x 3/16 x 3/64)
	†11437	1	O-ring
	•17714	1	O-ring
15	*†•15174	1	O-ring Backup Washer (5/16 x 3/16 x 3/64)
16	214692	1	Unloading Valve Washer
17	*12557	1	O-ring (11/32 x 7/32 x 1/16)
	†18973	1	O-ring
	•215375	1	O-ring
18	308430	1	Spring Retainer (For 4016, 61821 & JT05845)
19	214694	1	Compression Spring (For 4016, 61821 & JT05845)
20	305912	1	Valve Adjusting Screw (For 61871 & 61872)
21	308488	1	Spring Retainer (For 61871 & 61872)
22	214808	1	Compression Spring (15/32 O.D. x 4-7/16 Lg.; For 61871 & 61872)
23	252273	1	Retaining Ring (included in item #12)
24	10714	1	Slotted Spring Pin (Included with pump body [Item #20 on back sheet 1 of 2].)

Part numbers marked with an asterisk (*) are contained in Standard Repair Kit No. 300942.

Part numbers marked with a dagger (†) are contained in Viton Seal Kit No. 300690.

Part numbers marked with a bullet (•) are contained in EPR Seal Kit No. 300691.

Refer to any operating instructions included with this product for detailed information about operation, testing, disassembly, reassembly, and preventive maintenance.

Items found in this parts list have been carefully tested and selected. **Therefore: Use only genuine OTC replacement parts!**

Additional questions can be directed to our Technical Services Department.