



655 Eisenhower Drive
 Owatonna, MN 55060 USA
 Phone: (507) 455-7000
 Tech. Serv.: (800) 533-6127
 Fax: (800) 955-8329
 Order Entry: (800) 533-6127
 Fax: (800) 283-8665
 International Sales: (507) 455-7223
 Fax: (507) 455-7063
 Website: www.otctools.com

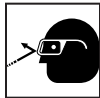
**Assembly &
 Operating Instructions
 for:**

**Y-915
 4203**

**Nozzle Tester Adapter
 Safety Precautions**



Warning: To prevent personal injury,



- Wear eye protection that meets ANSI Z87.1 and OSHA standards.



- Volatile liquids can be extremely flammable when vaporized. Avoid any conditions (sparks, open flames, lit cigarettes, etc.) that could ignite the fluid used during the test procedures.



- Use the tester in a well ventilated area.



- When a nozzle is being tested or is in operation, keep clear of the spraying nozzle. The liquid spray leaves the nozzle tip with enough force to penetrate skin. Place the nozzle tip in a transparent receptacle to contain the spray, and make sure all connections in the system are secure. Fluid leaves pressurized fittings with enough force to penetrate skin and cause serious personal injury.

- Do not unscrew valve knobs more than one turn during a nozzle test. Pressurized fluid could escape and cause personal injury.

Removing the Existing Gauge Assembly

1. See Figure 1. Remove the four screws that hold the gauge protector to the tester head. Remove the gauge protector. *Note: You don't have to remove the shut-off valve, gauge protector valve, or isolator valve because the gauge protector has slots in the valve areas. Once the screws have been removed, the gauge protector can be pulled upward off the valves.*
2. Remove the high pressure gauge from tester.

Preparing the Nozzle Tester Adapter

3. See Figure 2. Remove the two cap screws holding the brackets to the base of the adapter block. Remove the brackets.
4. Thread the high pressure gauge (that was removed in step 2) into the right gauge port on top of the adapter block. **Caution: Seal hydraulics connections with a high-quality, non-hardening thread sealant. Teflon tape can also be used if only one layer of tape is used.** Start the tape at least two threads away from the end of the fitting. Apply the tape carefully to prevent it from being pinched by the fitting and broken off inside the pipe end. Loose pieces of tape could travel through the system and obstruct the flow of oil or cause jamming of precision-fit parts.

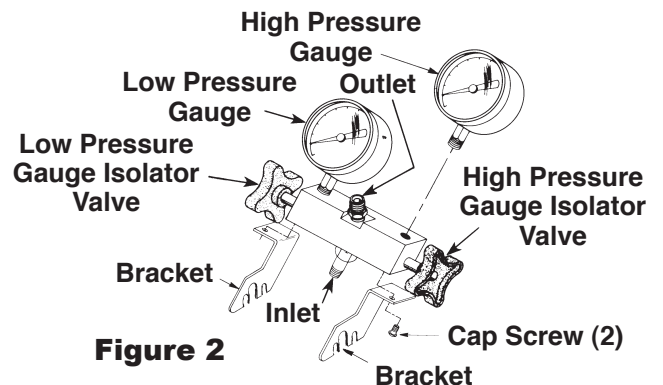
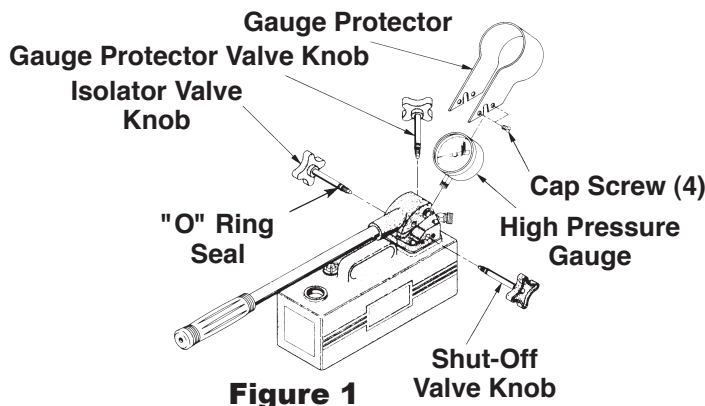


Figure 2

Sheet No. 1 of 1

Issue Date: Rev. B, November 18, 2014

Installing the Nozzle Tester Adapter

5. Thread the inlet fitting at the base of the adapter block into the tester head gauge port until the adapter is positioned on the tester as shown in Figure 3.
6. Fasten the two brackets to the adapter block and tester head using the screws removed in Steps 1 and 3.
7. Securely install the cap plug on the 45° outlet elbow at the rear of the tester head.
8. Slip the connector on the adapter tube. Place the sleeve inside the connector on the tube as shown in Figure 4. Install the tube assembly into the center port on top of the adapter block. See Figure 5.

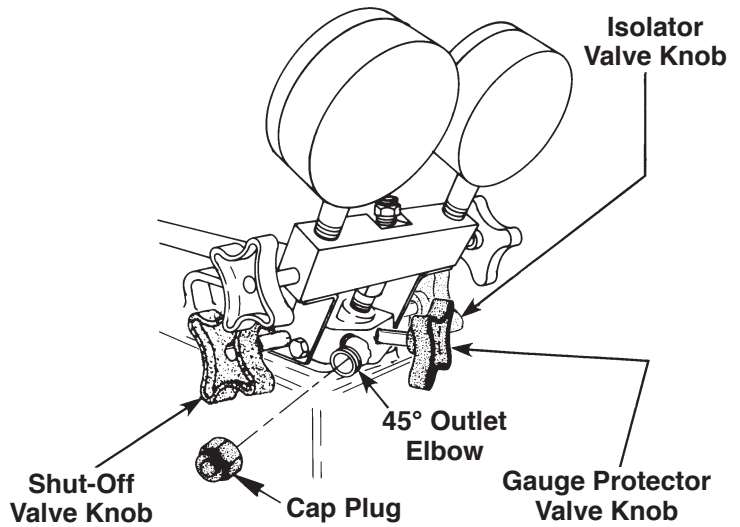


Figure 3

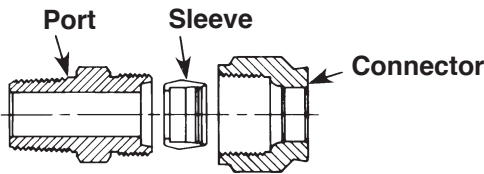


Figure 4

Using the Nozzle Tester Adapter

Caution: To prevent equipment damage, open the gauge protector valve knob one turn (from the closed position) before any test.

Testing Capsule Nozzles:

1. Load the capsule nozzle into the adapter as shown in Figure 6. Firmly fasten the adapter to the adapter tube.
2. Use the test procedure for the type of capsule nozzle being tested.

Testing Pencil Nozzles:

1. Firmly attach the pencil nozzle to the correct adapter for the application. Firmly fasten the adapter to the adapter tube. See Figure 7.
2. Use the test procedure for the type of pencil nozzle being tested.

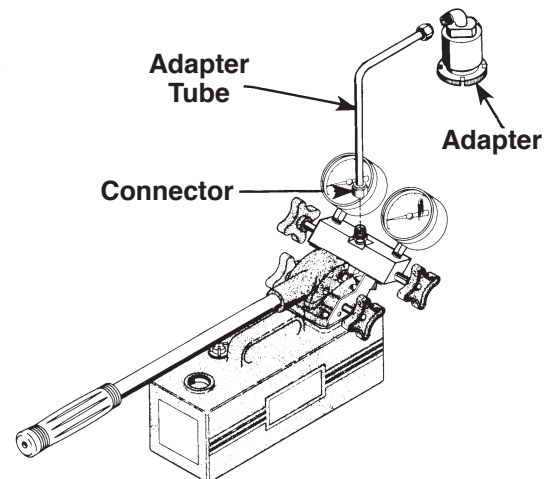


Figure 5

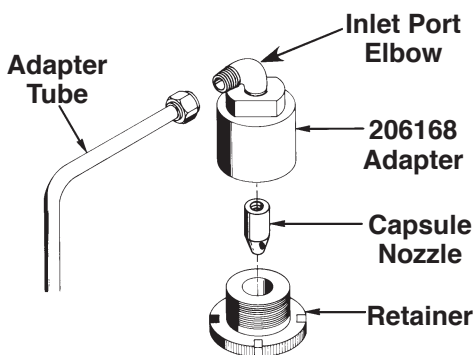


Figure 6

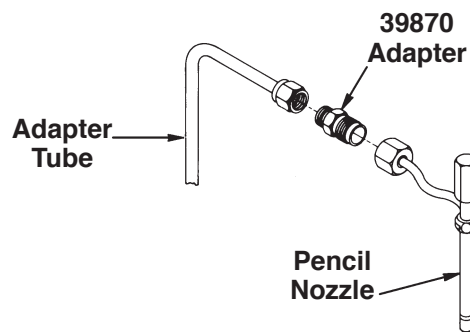


Figure 7