



655 EISENHOWER DRIVE
 OWATONNA, MN 55060 USA
 PHONE: (507) 455-7000
 TECH. SERV.: (800) 533-6127
 FAX: (800) 955-8329
 ORDER ENTRY: (800) 533-6127
 FAX: (800) 283-8665
 INTERNATIONAL SALES: (507) 455-7223
 FAX: (507) 455-7063

Form No. 102482

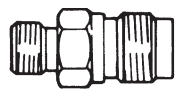
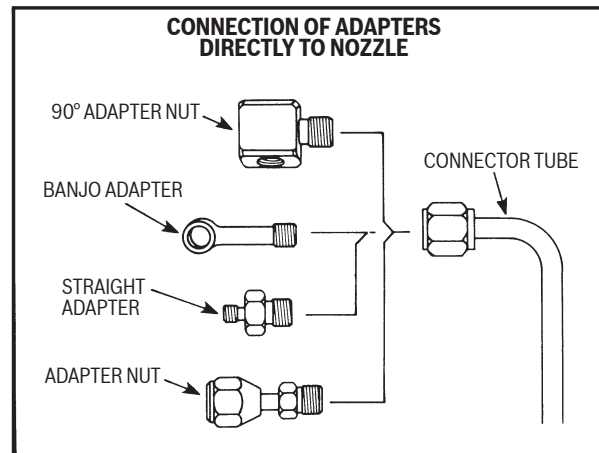
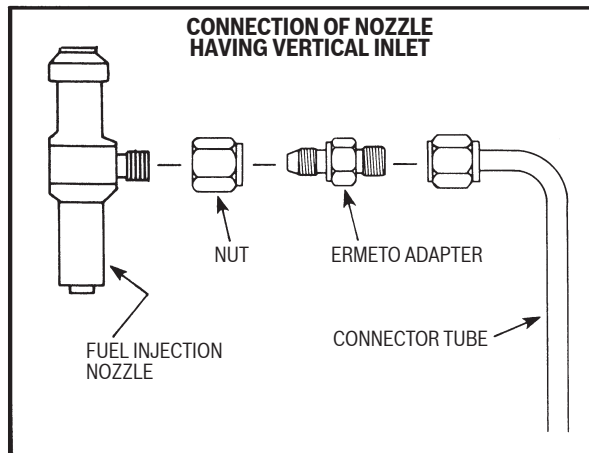
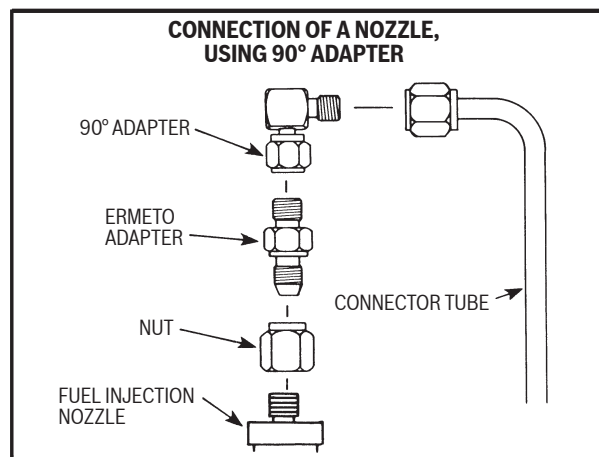
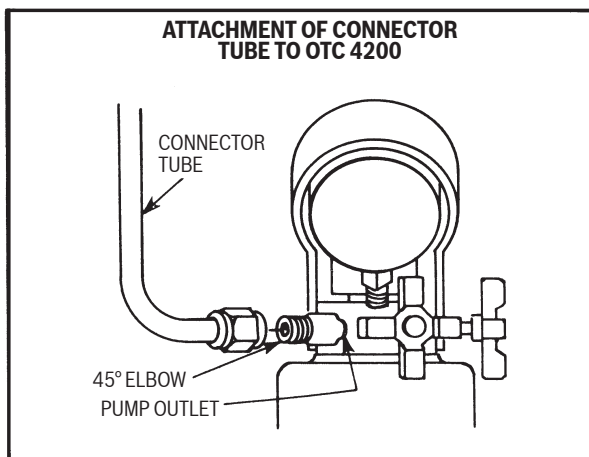
Operating Instructions
 for:

4201

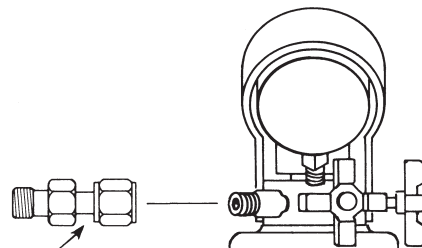
Accessory Kit

The illustrations below show how easily various nozzles that require testing can be connected to the OTC adapters and connectors. Refer to the CONNECTOR APPLICATION CHART on the back side of this sheet to help in the selection of accessories you require.

! WARNING: Prior to operation, be sure all connections in the system have been securely fastened. Any leaks from fittings under pressure could penetrate the skin and cause serious injury!



44026 STRAIGHT ADAPTER
 3/4-16 External R.H. Thd. to 9/16-18 R.H. Thd.
 (Internal Ermeto 24) Caterpillar Adapter.



201920 ADAPTER NUT
 (M14 X 1.5 External to 5/8"-18 UNF Internal)
 Connectors OTC Y-900 "Nozl-Rater" to Other
 Fittings Used in the Industry.

Sheet No. 1 of 1

Issue Date: Rev. B Sept. 24, 2014

