

OTC Division

655 Eisenhower Drive
Owatonna, MN 55060
Phone: (507) 455-7000
Tech. Serv.: (507) 451-5860
Fax: (800) 955-8329
Order Entry: (507) 455-1480
Telex: RCA 201674

**ALLISON TRANSMISSION
MOUNTING PLATE APPLICATION CHARTS**
(for OTC #1750-A Diesel Engine Repair Stand)

Mounting Plate No.	Used On
208160	AT500 Series (540, 543, & 545) MT-6SP MT600 Series (640, 643, 644, 650, 653, & 654CR) VH, VS, V-730, & V-731

INSTALLATION INSTRUCTIONS

1. Bolt the mounting plate to the transmission as shown in one of the following application charts.
2. Find the transmission's center of balance (or greatest concentration of weight). See Figure 1.
3. Position the transmission (with the mounting plate attached) up to the engine mounting adapter plate.
4. Raise or lower the transmission until its center of balance is in-line with the rotating shaft of the engine stand as shown.
5. Secure the engine mounting adapter to the transmission mounting plate with the caps screws provided.

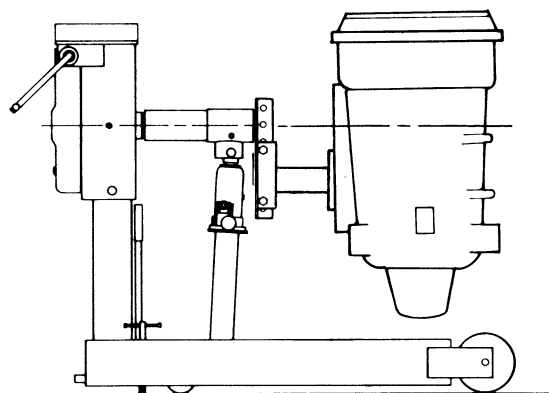


FIGURE 1



WARNING: To help prevent personal injury,

- All mounting screws and bolts **MUST** be tight before starting work on the transmission.
- Use only SAE Grade 8 (or Metric Grade 10.9) cap screws to mount the transmission plate to the engine repair stand.

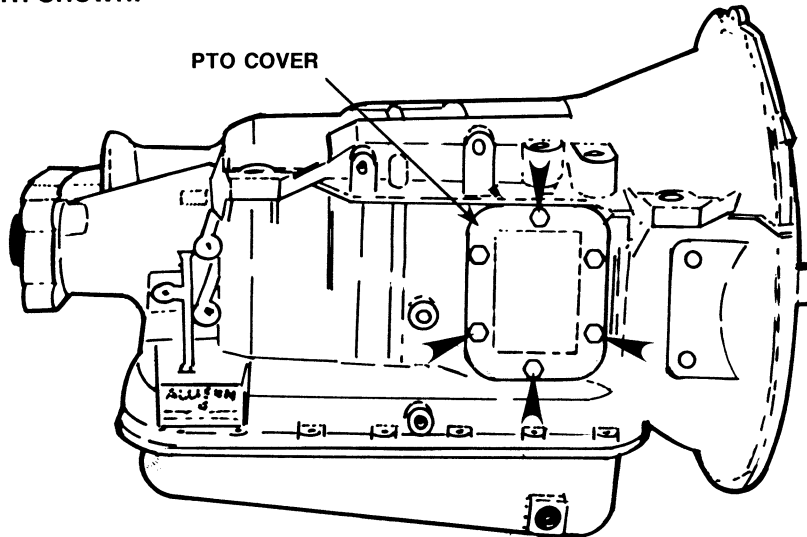
Fasteners:

Item	Description	Qty.	Part #
CAP SCREWS	3/4-10 UNC x 1-1/2" Lg.	3	206113
	3/8-16 UNC x 1" Lg.	4	19812
WASHERS	3/4" Bolt Size	3	12330
	3/8" Bolt Size	4	10258

Application Charts & Installation Instructions

FOUR BOLT PATTERN AT500 Series (540, 543, & 545) MT600 Series (640, 643, 644, 650, 653, & 654CR) & MT6SP

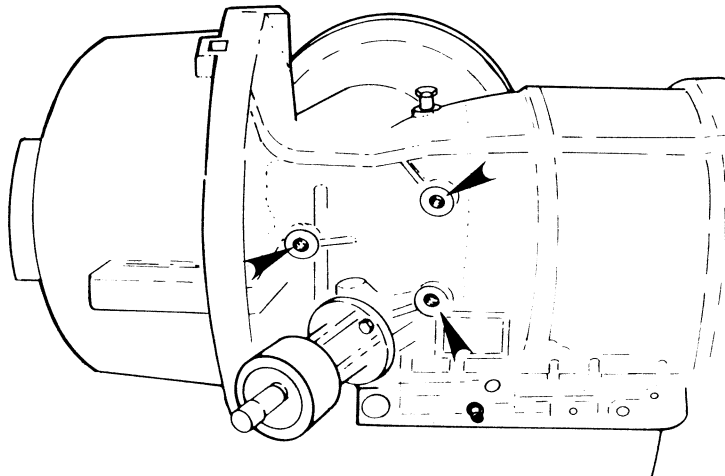
NOTE: Remove six bolt pattern PTO cover, or remove PTO (if so equipped) and bolt mounting plate to the four bolt pattern shown.



- (4) $\frac{3}{8}$ -16 UNC \times 1" Lg. Cap Screw, Grade 8
(4) $\frac{3}{8}$ " Washer
-

THREE BOLT PATTERN VH, VS, V-730, & V731 (Model V-730 shown)

⚠ WARNING: To help prevent personal injury, only use the #208160 Mounting Plate with the V-730 and V-731 transmissions in the 700 Series. Do not bolt any other 700 Series transmission using the PTO mounting flange to this plate.



- (3) $\frac{3}{4}$ -10 UNC \times 1 $\frac{1}{2}$ " Lg. Cap Screw, Grade 8
(3) $\frac{3}{4}$ " Washer