



655 Eisenhower Drive
 Owatonna, MN 55060 USA
 Phone: (507) 455-7000
 Tech. Serv.: (800) 533-6127
 Fax: (800) 955-8329
 Order Entry: (800) 533-6127
 Fax: (800) 283-8665
 International Sales: (507) 455-7223
 Fax: (507) 455-7063

Form No. 102492

Installation Instructions

for:

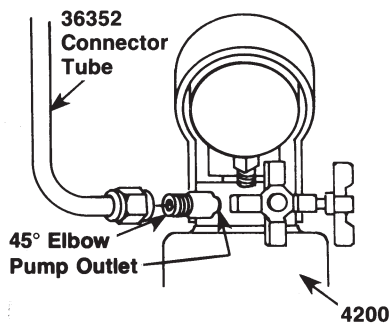
4202

Y-911

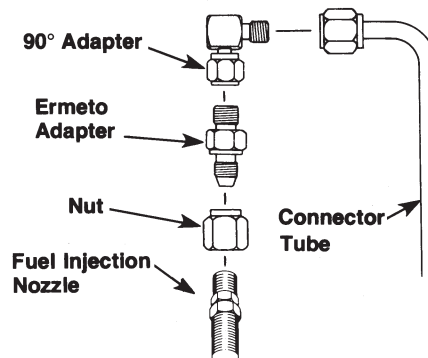
Accessory Kit

The following illustrations show how to use OTC adapters and connectors to attach a nozzle (to be tested) to the OTC #4200 nozzle tester. Refer to the Connector Application Chart to select the correct accessories.

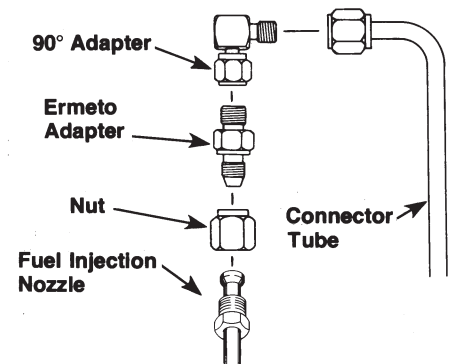
ATTACHMENT OF CONNECTOR TUBE TO "NOZL-RATER"



CONNECTION OF A NOZZLE, USING 90° ADAPTER

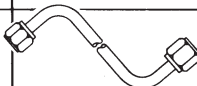







CONNECTION OF A NOZZLE, USING 90° ADAPTER



Refer to the equipment manufacturer's service specifications and procedures for all testing information.

CONNECTOR APPLICATION CHART

PART NO.	DESCRIPTION	GM 1980 & NEWER C.A.V. NOZZLE	GM 1979 & 1980 PENCIL NOZZLE	GM 1978 PENCIL NOZZLE	V.W. RABBIT DIESEL	AUDI & MERCEDES BENZ
36352	 Fuel line assembly, 9/16"-18 R.H. thd. with 24° on pipe.	●	●	●	●	●
23617	 90° adapter, 9/16"-18 external R.H. thd. (Ermeto 24°) to 9/16"-18 internal R.H. thd. (Ermeto 24°).	●	●	●	●	●
23621	 Straight adapter, 9/16"-18 external R.H. thd. (Ermeto 24°) to 1/2"-20 external L.H. thd. (60° seat).	●	●		●	●
23622	 Straight adapter, 12 x 1.5 mm internal R.H. thd. to 1/2"-20 internal L.H. thd.	●			●	●
201917	 Adapter nut, 9/16"-18 internal R.H. thd. to 1/2"-20 internal L.H. thd.		●	●		
23693	 Straight adapter, 1/2"-20 external L.H. thd. (Ermeto 24° & 90° seat) to 9/16"-18 external R.H. thd. (Ermeto 24°).			●		