

SPX Corporation
 655 Eisenhower Drive
 Owatonna, MN 55060-0995 USA
 Phone: (507) 455-7000
 Tech. Serv.: (800) 533-6127
 Fax: (800) 955-8329
 Order Entry: (800) 533-6127
 Fax: (800) 283-8665
 International Sales: (507) 455-7290
 Fax: (507) 455-7063

SPX Corporation- Fluid Power
 5885 11th Street
 Rockford, IL 61109-3699 USA
 Phone: (815) 874-5556
 Fax: (815) 874-7853
 Tech. Services: (800) 477-8326
 Fax: (800) 765-8326
 Order Entry: (800) 541-1418
 Fax (800) 288-7031
 Internet Address:
<http://www.powerteam.com>

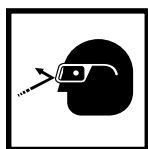
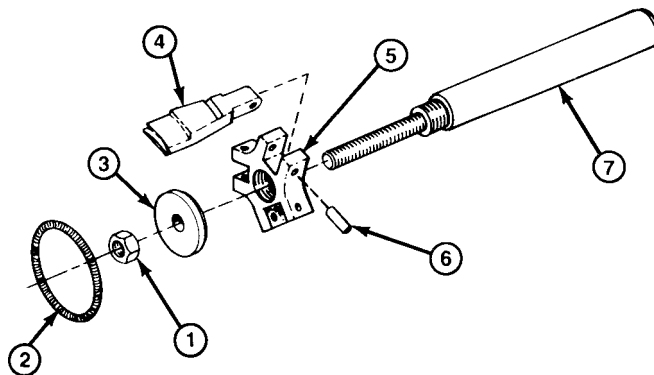
**Parts List &
 Operating Instructions**
 for:

7180

Universal Bearing Cup Installer

Capacity: 3-5/8" O.D. – 6-1/2" O.D.

Item No.	Part No.	No. Req'd	Description
1	10213	1	Hex Nut (5/8-18)
2	207561	1	Extension Spring
3	210583	1	Expander
4	52038	3	Jaw
5	305130	1	3 Way Head
6	209624	3	Pin
7	305129	1	Handle
8	209963	1	Decal (not shown)



WARNING: Wear eye protection that meets the requirements of ANSI Z87.1 and OSHA.

BEARING CUP INSTALLATION

1. Turn the expander to the left or right to adjust the installer jaw diameter to the approximate same size as the bearing cup inside diameter. See Figure 1 and 2.
2. Finger tighten the nut to prevent the expander from moving once the jaw diameter has been set.
3. Install the bearing cup. See Figure 3.

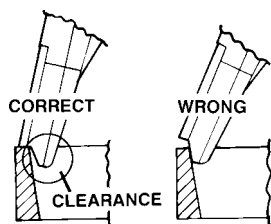


FIGURE 1

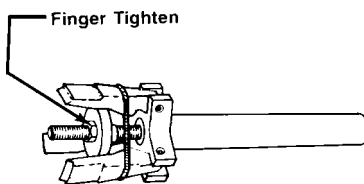


FIGURE 2

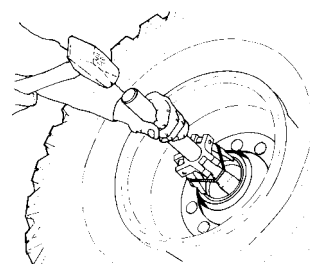


FIGURE 3

MAINTENANCE

Deburr the edges of the installer jaws as needed by drawing a file across the shoulders as shown.

