



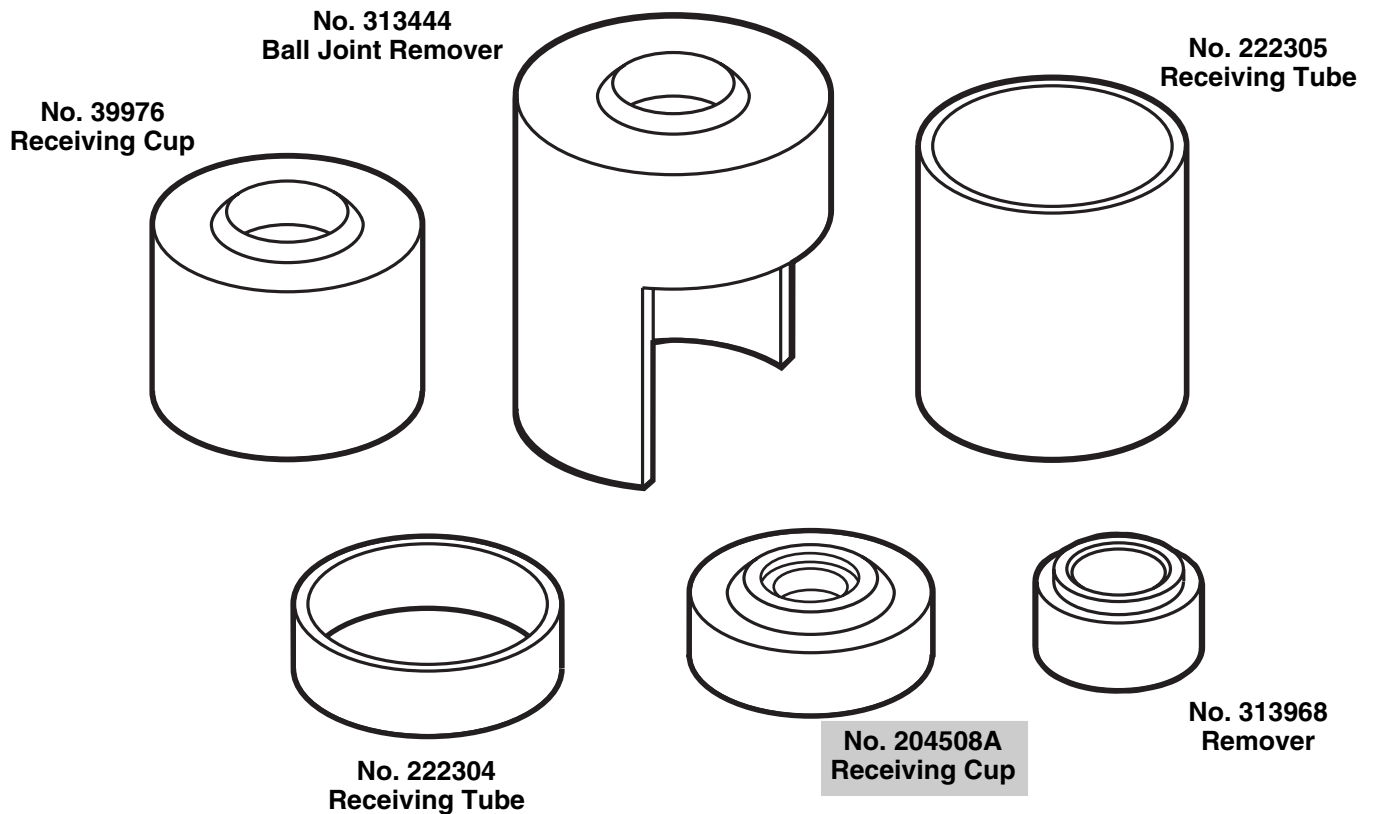
SPX Corporation
 655 Eisenhower Drive
 Owatonna, MN 55060-0995 USA
 Phone: (507) 455-7000
 Tech. Serv.: (800) 533-6127
 Fax: (800) 955-8329
 Order Entry: (507) 533-6127
 Fax: (800) 283-8665
 International Sales: (507) 455-7223
 Fax: (507) 455-7063

**Parts List &
 Operating Instructions**
 for:

7919

Ball Joint Adapter Set

Application: Ford 2WD Van Upper & Lower Ball Joints



Safety Precautions



Caution: To prevent personal injury when using these tools,



- Wear eye protection that meets the requirements of ANSI Z87.1 and OSHA.



- Before repairing a vehicle, block the wheels to prevent the vehicle from moving.



- Check the final alignment of tooling and components before using a C-frame press to exert pressure.

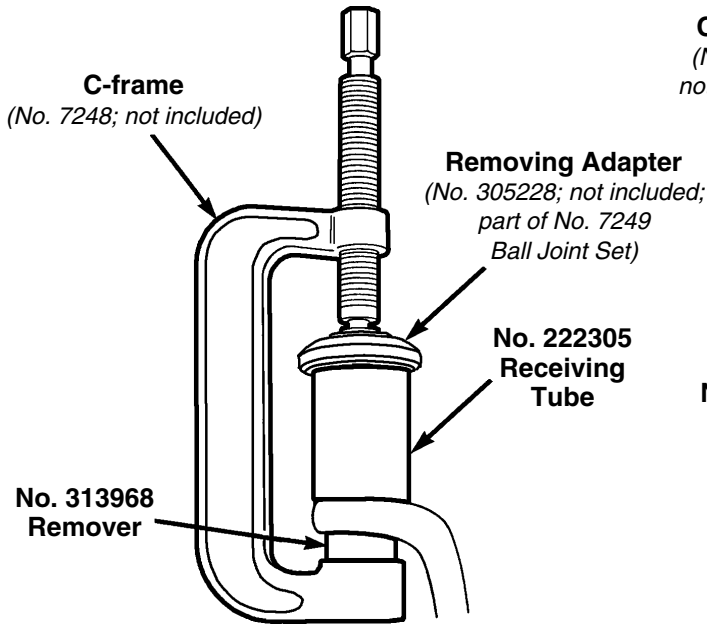
Shaded areas reflect the last revisions made to this form.

Sheet No. 1 of 1

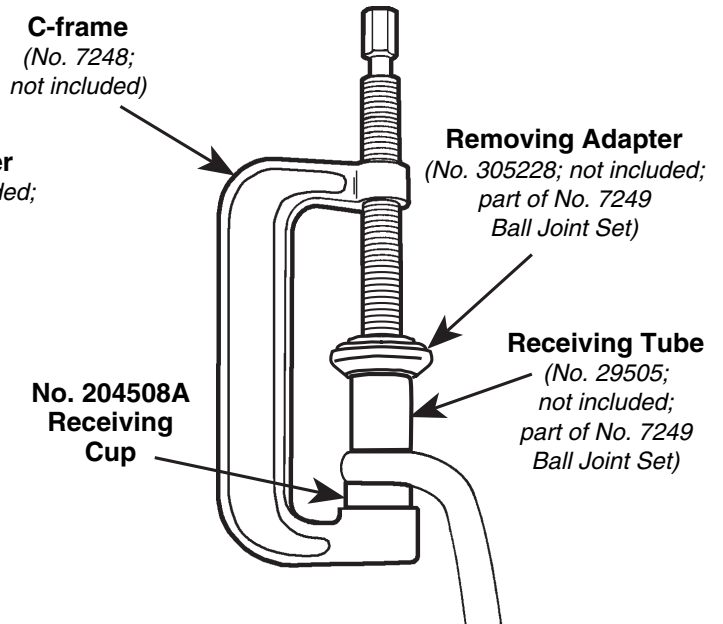
Issue Date: Rev. B, 12-21-06

Operating Instructions

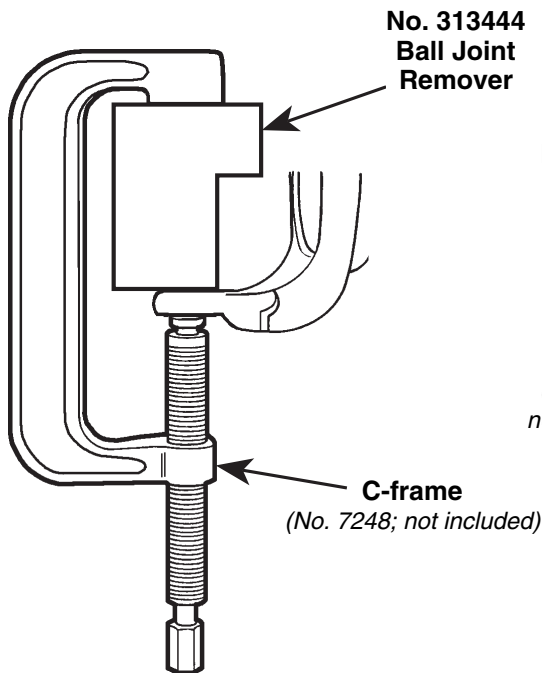
1. Position the tools as shown to remove or install the upper or lower ball joint. **Note for Installation:** Clean the control arm or knuckle, and coat the I.D. with a suitable lubricant.
2. Tighten the forcing screw until it meets the cup, and check the alignment of all tooling and components. Continue tightening the forcing screw until the ball joint is removed or installed.



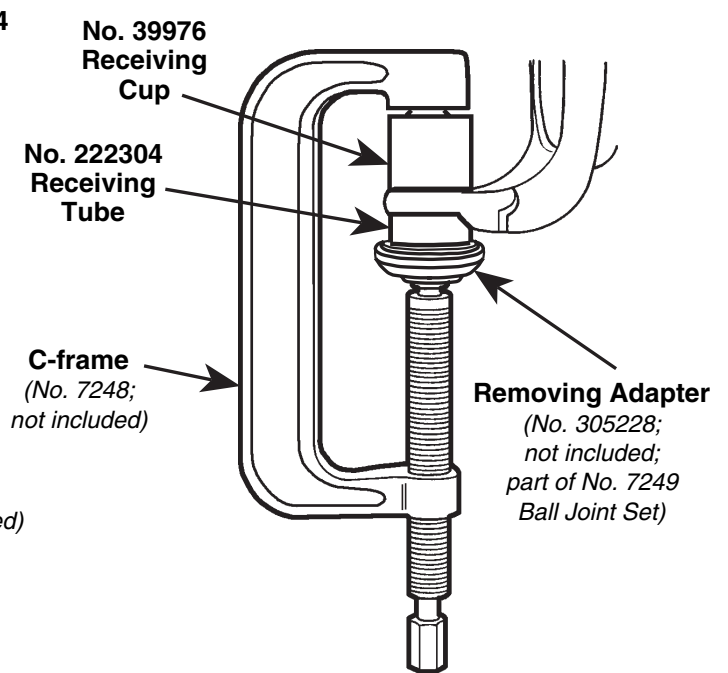
Removing the Upper Ball Joint



Installing the Upper Ball Joint



Removing the Lower Ball Joint



Installing the Lower Ball Joint