

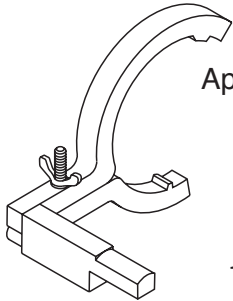


655 Eisenhower Drive
 Owatonna, MN 55060 USA
 Phone: (507) 455-7000
 Tech. Serv.: (800) 533-6127
 Fax: (800) 955-8329
 Order Entry: (800) 533-6127
 Fax: (800) 283-8665
 International Sales: (507) 455-7290
 Fax: (507) 455-7063

Form No. 107103

**Operating Instructions
 for:**

**6479
 (511547)**

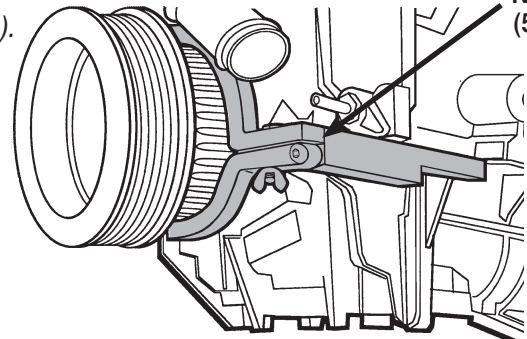


Ford Crankshaft Holding Tool

Application: 1997 – 2011 4.0L SOHC Explorer (V6), Mountaineer (V6), Ranger (VIN E)
 1997 – 2008 4.0L SOHC Explorer, Mountaineer, Ranger (VIN X)
 2005 – 2010 4.0L SOHC Mustang (VIN N)

NOTE: Same as Ford No. 303-573 (T97T-6303-A).

1. Install tool No. 6479 (511547) on the crankshaft damper.
2. Rotate the engine counterclockwise (CCW) until the tool stops against the engine block.
3. Service the timing chain as required according to instructions in the vehicle service manual.
4. Torque fasteners to factory specifications.



**No. 6479
 (511547)**



WARNING: Wear eye protection that meets ANSI Z87.1 and OSHA standards.

© Bosch Automotive Service Solutions LLC
 July 25, 2014 Rev. C

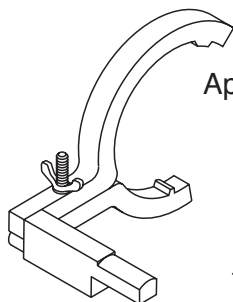


655 Eisenhower Drive
 Owatonna, MN 55060 USA
 Phone: (507) 455-7000
 Tech. Serv.: (800) 533-6127
 Fax: (800) 955-8329
 Order Entry: (800) 533-6127
 Fax: (800) 283-8665
 International Sales: (507) 455-7290
 Fax: (507) 455-7063

Form No. 107103

**Operating Instructions
 for:**

**6479
 (511547)**

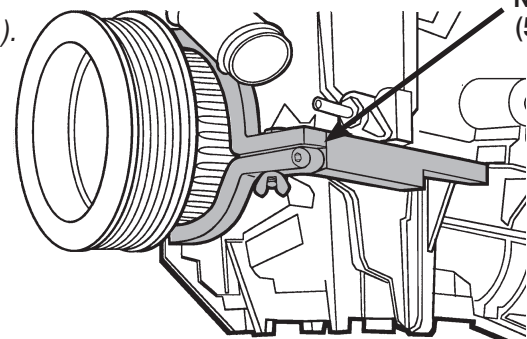


Ford Crankshaft Holding Tool

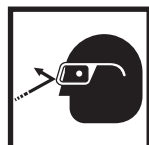
Application: 1997 – 2011 4.0L SOHC Explorer (V6), Mountaineer (V6), Ranger (VIN E)
 1997 – 2008 4.0L SOHC Explorer, Mountaineer, Ranger (VIN X)
 2005 – 2010 4.0L SOHC Mustang (VIN N)

NOTE: Same as Ford No. 303-573 (T97T-6303-A).

1. Install tool No. 6479 (511547) on the crankshaft damper.
2. Rotate the engine counterclockwise (CCW) until the tool stops against the engine block.
3. Service the timing chain as required according to instructions in the vehicle service manual.
4. Torque fasteners to factory specifications.



**No. 6479
 (511547)**



WARNING: Wear eye protection that meets ANSI Z87.1 and OSHA standards.

© Bosch Automotive Service Solutions LLC
 July 25, 2014 Rev. C