



SPX Corporation
 655 Eisenhower Drive
 Owatonna, MN 55060-0995 USA
 Phone: (507) 455-7000
 Tech. Serv.: (800) 533-6127
 Fax: (800) 955-8329
 Order Entry: (800) 533-6127
 Fax: (800) 283-8665
 International Sales: (507) 455-7290
 Fax: (507) 455-7063

Form No. 107264

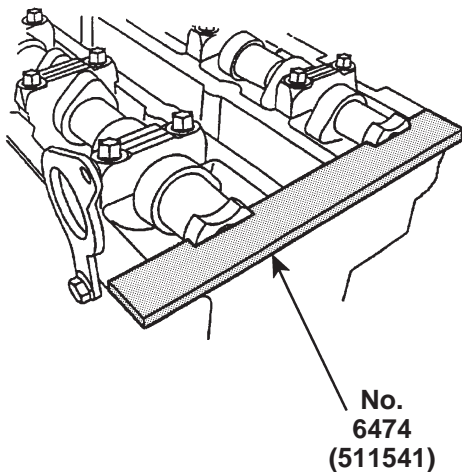
**Parts List &
 Operating Instructions
 for: 6486**

ZTEC 2.0L 4 Cylinder Service Set 6474 and 6475

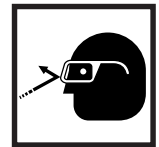
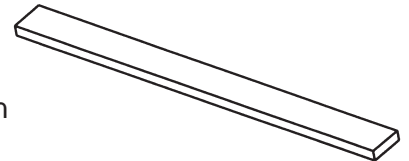
6474 Ford Camshaft Alignment Tool

Application: 1994 – 2002 Ford Contour/Mercury Mystique w/ 2.0L, 4 cyl., DOHC Zetec Engine

NOTE: Same as Ford No. 303-465 (T94P-6256-CH).



1. Rotate engine to top dead center on the No. 1 cylinder.
2. Align camshafts by installing tool No. 6474 (511541) into the slots at the rear of the camshafts as shown.
3. Service the timing belt as required according to instructions in the vehicle service manual.
4. Torque fasteners to factory specifications.
5. Remove the tool.

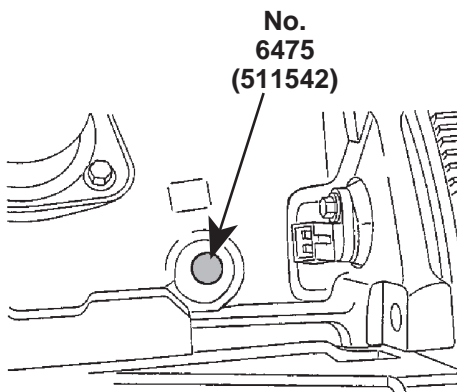


WARNING: Wear eye protection that meets ANSI Z87.1 and OSHA standards.

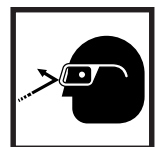
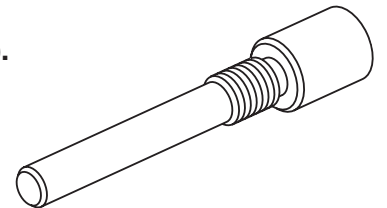
6475 Ford Crankshaft TDC Timing Pin

Application: 1997 – 2002 Ford Contour/Mercury Mystique w/ 2.0L 4 cyl.
 DOHC Zetec engine w/ variable cam timing

NOTE: Same as Ford No. 303-574 (T97P-6000-A).



1. Rotate crankshaft to set No. 1 cylinder on top dead center of compression stroke.
2. Remove the access plug from the engine, and install No. 6475 (511542) timing pin as shown. (The pin will completely thread into the hole when the engine is at TDC on the No. 1 cylinder.)
3. Service the timing belt as required according to vehicle service manual procedures.
4. Torque fasteners to factory specifications.



WARNING: Wear eye protection that meets ANSI Z87.1 and OSHA standards.

IMPORTANT: To prevent damage to the engine, remove the No. 6475 (511542) timing pin from the engine and reinstall the access plug BEFORE cranking the engine.

Sheet No. 1 of 1

Issue Date: 5/23/02, Rev. A

Ford Tool Application Chart

Year	Make & Model	Engine	Tool Description	OTC Part No.	Ford No. American Part No.	Ford Global Part No.
1995-1997	Aerostar	3.0L V6	Cam Sensor Synch Tool	6472 (511539)	T95T-12200-A	303-529
1996-1998	Aerostar	4.0L V6	Cam Sensor Synch Tool	6472 (511539)	T95T-12200-A	303-529
1994-2002	Contour	2.0L 4 cyl. DOHC Zetec	Cam Alignment Tool	6474 (511541)	T94P-6256-CH	303-465
1997-2002	Contour	2.0L 4 cyl. DOHC Zetec	Crankshaft TDC Timing Pin	6475 (511542)	T97P-6000-A	303-574
1991-1998	Crown Victoria	4.6L 2V V8	Cam Positioning Tool	6009 (511532)	T91P-6256-A	303-380
1992-1998	Crown Victoria	4.6L 2V V8	Cam Positioning Tool	6020 (511555)	T92P-6256-A	303-413
1997-2002	Econoline	4.2L V6	Cam Sensor Synch Tool	6469 (511536)	T96T-12200-A	303-562
1997-1998	Econoline	4.6L & 5.4L V8, 6.8L V10	Cam Positioning Tool	6009 (511532)	T91P-6256-A	303-380
			Cam Positioning Tool	6020 (511555)	T92P-6256-A	303-413
1997-2002	Econoline	4.6L & 5.4L	Cam Positioning Tool Set	6476 (511543 & -4)	T96T-6256-AR	303-S568
1997-2002	Econoline	5.4L V8	Cam Holding Tool	6477 (511545)	T96T-6256-B	303-557
1997-2002	Econoline	6.8L V10	Cam Positioning Tool Set	6476 (511543 & -4)	T96T-6256-AR	303-S568
			Cam Holding Tool	6477 (511545)	T96T-6256-B	303-557
1997-2002	Econoline	Windsor V8	Cam Holding Tool	6477 (511545)	T96T-6256-B	303-557
1997-1998	Expedition	5.4L V8	Cam Positioning Tool	6009 (511532)	T91P-6256-A	303-380
			Cam Positioning Tool	6020 (511555)	T92P-6256-A	303-413
1997-2002	Expedition	5.4L V8	Cam Positioning Tool Set	6476 (511543 & -4)	T96T-6256-AR	303-S568
			Cam Holding Tool	6477 (511545)	T96T-6256-B	303-557
1996-1998	Explorer	4.0L V6	Cam Sensor Synch Tool	6472 (511539)	T95T-12200-A	303-529
1997-2002	Explorer	4.0L SOHC V6	Cam Gear Holding Tool	6478 (511546)	T97T-6256-B	303-564
			Crankshaft Holding Tool	6479 (511547)	T97T-6303-A	303-573
			Cam Holding Tool Adapter	6480 (511548)	T97T-6256-D	303-576
			Cam Holding Tool	6481 (511549)	T97T-6256-C	303-577
			Cam Gear Holding Tool Adapter	6482 (511550)	T97T-6256-A	303-578
			Timing Chain Tensioner Tool	6484 (511552)	T97T-6K254-A	303-571
			Cam Gear Bolt Socket & Ext.	6485 (511553 & -4)	T97T-6256-F, -G	303-565, -575
1999-2002	Explorer	4.0L Push Rod V6	Cam Sensor Synch Tool	6483 (511551)		303-638
1996-1998	Explorer	5.0L V8	Cam Sensor Synch Tool	6469 (511536)	T96T-12200-A	303-562
1999-2002	Explorer	5.0L V8	Cam Sensor Synch Tool	6470 (511537)		303-630
1997-2002	F-Series Truck	4.2L V6	Cam Sensor Synch Tool	6469 (511536)	T96T-12200-A	303-562
1997-1998	F-Series Truck	4.6L & 5.4L V8	Cam Positioning Tool	6009 (511532)	T91P-6256-A	303-380
			Cam Positioning Tool	6020 (511555)	T92P-6256-A	303-413
1997-2002	F-Series Truck	4.6L & 5.4L	Cam Positioning Tool Set	6476 (511543 & -4)	T96T-6256-AR	303-S568
1997-2002	F-Series Truck	5.4L V8	Cam Holding Tool	6477 (511545)	T96T-6256-B	303-557
1997-2002	F-Series Truck	Windsor V8	Cam Holding Tool	6477 (511545)	T96T-6256-B	303-557
1994-1995	Mustang	3.8L V6	Cam Sensor Synch Tool	6467 (511534)	T89P-12200-A	303-358
1996-1998	Mustang	3.8L V6	Cam Sensor Synch Tool	6469 (511536)	T96T-12200-A	303-562
1999-2002	Mustang	3.8L V6	Cam Sensor Synch Tool	6470 (511537)		303-630
1993-1997	Probe	2.0L 4 cyl.	Cam Pulley Holding Tool	6468 (511535)	T92C-6256-AH	303-398
1989-1997	Ranger	2.3L, 4 cyl. dual plug	Crankshaft Sensor Positioner	6466 (511533)	T89P-6316-A	303-354
1995-1997	Ranger	3.0L V6	Cam Sensor Synch Tool	6472 (511539)	T95T-12200-A	303-529
1998-2002	Ranger	3.0L V6	Cam Sensor Synch Tool	6473 (511540)		303-589
1996-1998	Ranger	4.0L V6	Cam Sensor Synch Tool	6472 (511539)	T95T-12200-A	303-529
1993-1995	Taurus	3.0L V6	Cam Sensor Synch Tool	6471 (511538)	T93P-12200-A	303-453
1996-1997	Taurus	3.0L V6 2-valve	Cam Sensor Synch Tool	6472 (511539)	T95T-12200-A	303-529
1998-2002	Taurus	3.0L V6	Cam Sensor Synch Tool	6473 (511540)		303-589
1989-1995	Thunderbird	Supercharged 3.8L V6	Cam Sensor Synch Tool	6467 (511534)	T89P-12200-A	303-358
1990-1995	Thunderbird	3.8L V6	Cam Sensor Synch Tool	6467 (511534)	T89P-12200-A	303-358
1997	Thunderbird	3.8L V6	Cam Sensor Synch Tool	6469 (511536)	T96T-12200-A	303-562
1995-1997	Windstar	3.0L V6	Cam Sensor Synch Tool	6472 (511539)	T95T-12200-A	303-529
1998-2002	Windstar	3.0L V6	Cam Sensor Synch Tool	6473 (511540)		303-589
1995	Windstar	3.8L V6	Cam Sensor Synch Tool	6467 (511534)	T89P-12200-A	303-358
1996-1998	Windstar	3.8L V6	Cam Sensor Synch Tool	6469 (511536)	T96T-12200-A	303-562
1999-2002	Windstar	3.8L V6	Cam Sensor Synch Tool	6470 (511537)		303-630
1998	Lincoln Navigator	5.4L V8	Cam Positioning Tool	6009 (511532)	T91P-6256-A	303-380
			Cam Positioning Tool	6020 (511555)	T92P-6256-A	303-413
1998-2002	Lincoln Navigator	5.4L V8	Cam Positioning Tool Set	6476 (511543 & -4)	T96T-6256-AR	303-S568
			Cam Holding Tool	6477 (511545)	T96T-6256-B	303-557
1989-1995	Cougar	Supercharged 3.8L V6	Cam Sensor Synch Tool	6467 (511534)	T89P-12200-A	303-358
1990-1995	Cougar	3.8L V6	Cam Sensor Synch Tool	6467 (511534)	T89P-12200-A	303-358
1997	Cougar	3.8L V6	Cam Sensor Synch Tool	6469 (511536)	T96T-12200-A	303-562
1991-1998	Grand Marquis	4.6L 2V V8	Cam Positioning Tool	6009 (511532)	T91P-6256-A	303-380
1992-1998	Grand Marquis	4.6L 2V V8	Cam Positioning Tool	6020 (511555)	T92P-6256-A	303-413
1997-2002	Mountaineer	4.0L SOHC V6	Cam Gear Holding Tool	6478 (511546)	T97T-6256-B	303-564
			Crankshaft Holding Tool	6479 (511547)	T97T-6303-A	303-573
			Cam Holding Tool Adapter	6480 (511548)	T97T-6256-D	303-576
			Cam Holding Tool	6481 (511549)	T97T-6256-C	303-577
			Cam Gear Holding Tool Adapter	6482 (511550)	T97T-6256-A	303-578
			Timing Chain Tensioner Tool	6484 (511552)	T97T-6K254-A	303-571
			Cam Gear Bolt Socket & Ext.	6485 (511553 & -4)	T97T-6256-F, -G	303-565, -575
1999-2002	Mountaineer	4.0L Push Rod V6	Cam Sensor Synch Tool	6483 (511551)		303-638
1996-1998	Mountaineer	5.0L V8	Cam Sensor Synch Tool	6469 (511536)	T96T-12200-A	303-562
1999-2002	Mountaineer	5.0L V8	Cam Sensor Synch Tool	6470 (511537)		303-630
1994-2002	Mystique	2.0L 4 cyl. DOHC Zetec	Cam Alignment Tool	6474 (511541)	T94P-6256-CH	303-465
1997-2002	Mystique	2.0L 4 cyl. DOHC Zetec	Crankshaft TDC Timing Pin	6475 (511542)	T97P-6000-A	303-574
1993-1995	Sable	3.0L V6	Cam Sensor Synch Tool	6471 (511538)	T93P-12200-A	303-453
1996-1997	Sable	3.0L V6 2-valve	Cam Sensor Synch Tool	6472 (511539)	T95T-12200-A	303-529
1998-2002	Sable	3.0L V6	Cam Sensor Synch Tool	6473 (511540)		303-589