



# STRUTTAMER™ EXTREME

Extreme heavy duty design for easy spring compression

## STRUT LIKE A BOSS



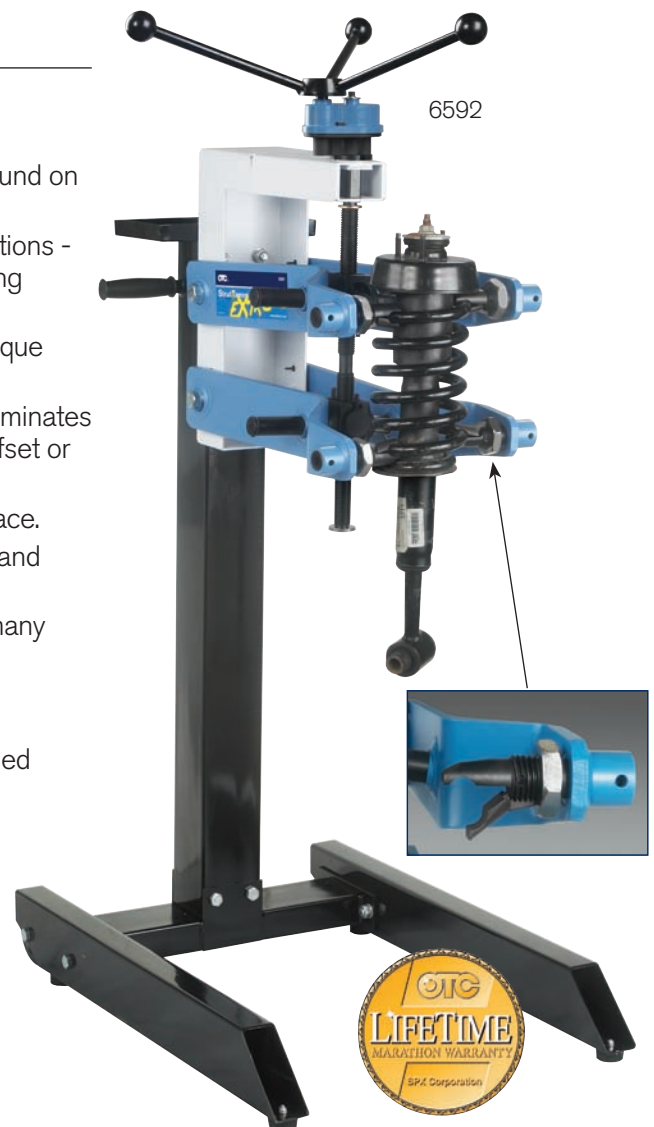
Allows for a 2:1 torque compression increase when compressing struts.

### FEATURES

**Simply the most effective compressor for virtually any straight, conical, or offset spring.**

- ✓ Extreme duty design to handle the heavier springs found on mid- and some full-size truck strut assemblies.
- ✓ New frame includes cross bracing at arm mount locations - standard. This eliminates frame flex when compressing heavier springs.
- ✓ 2:1 reduction gearbox - standard. Allows for a 2:1 torque compression increase when compressing struts.
- ✓ Lock rings to hold arms in position - standard. This eliminates arms from spreading or sliding when compressing offset or unique strut configurations.
- ✓ Four-point locking jaws securely hold the spring in place.
- ✓ Open-ended design means you can take the strut in and out, quickly and easily.
- ✓ The arms adjust in and out, up and down, to accept many sizes of springs.  
(2-1/2" to 10" diameter)  
(2-1/2" to 24" vertical stroke)
- ✓ Extra long 3-bar handle gives user the leverage needed to compress heavier strut springs.
- ✓ No need to change shoes for different size springs.
- ✓ Easy to transport when mounted on optional stand (No. 6592 - StrutTamer Extreme with stand; No. 6582 - stand only)
- ✓ Optional 6583 Bridge accessory to be used on springs that cannot be compressed enough to remove the retaining nut.

strut assembly not included



Adjustable arms and four-point locking jaws



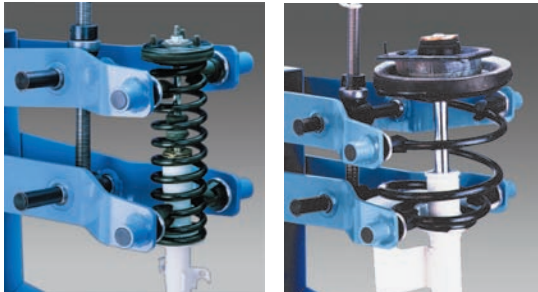
# STRUTTAMER™ EXTREME

Easily mounts to the wall or has optional stand

OTC's StrutTamer Extreme for strut springs. This is simply the most effective compressor for handling virtually any straight, conical, or offset spring. With its adjustable arms and four-point locking jaws, the StrutTamer Extreme securely holds the spring in place.

To keep the strut assembly straight during compression, we've developed a center screw that floats from side-to-side. This way the strut and spring remain aligned – no matter what condition the spring is in. The StrutTamer Extreme also features an extra long 3-bar handle crank with the needed leverage to compress heavy-duty springs faster and easier. The StrutTamer Extreme can easily be mounted to the wall without the need for adapters, or you can choose the optional stand.

The OTC StrutTamer Extreme stand features steel frame construction with two wheels that allow you to easily tilt the stand back and move the entire unit to the work area. The stand's narrow design allows for easier mobility between vehicles in the shop. During compression, the wheels lift off the floor, and four no-slip rubber pads keep the stand firmly in place.



### Strut Spring Coverage

2-1/2" to 10" spring diameters  
2-1/2" to 24" vertical stroke range

**No. 6591** – StrutTamer Extreme strut spring compressor. Includes 6591-1 upper arm clamps and 6587 2:1 reduction gearbox. Wt., 82 lbs.

**No. 6592** – StrutTamer Extreme strut spring compressor. Includes 6591-1 upper arm clamps, 6587 2:1 reduction gearbox and 6582 mobile stand. Wt., 150 lbs.

### Accessories:

**No. 6591-1** – Upper Arm Clamps. (Set of 2) For use on springs that require additional compression.

**No. 6582** – StrutTamer stand. Wt., 68 lbs.

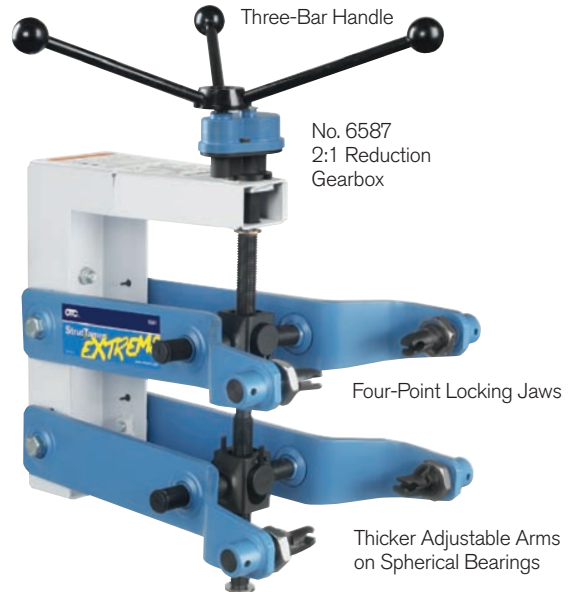
**No. 6583** – Bridge accessory. (not included with 6591 or 6592)

**No. 6587** – 2:1 Reduction Gearbox.

Note: 6591, 6592 can all be shipped UPS.



No. 6591-1  
Upper Arm  
Clamps



No. 6592  
StrutTamer Extreme  
with stand Height 54" (1372 mm)  
(36" without handle)  
Width 22-1/2" (572 mm)  
Depth 32" (813 mm)



No. 6591  
StrutTamer Extreme  
Height 29" (736 mm)  
Width 21" (533 mm)  
Depth 20" (508 mm)



No. 6583  
Bridge Accessory  
(not included with 6591 or 6592)



No. 6582  
StrutTamer Stand  
Height 44" (1118 mm)  
Width 22-1/2" (572 mm)  
Depth 32" (813 mm)

12-138 Rev. 2 ©2014 Bosch Automotive Service Solutions LLC. All rights reserved. Because of ongoing product improvements, we reserve the right to change design, materials and specifications without notice. Certain kits may require additional cables or adapters. Product shipped may differ from photo(s) shown.