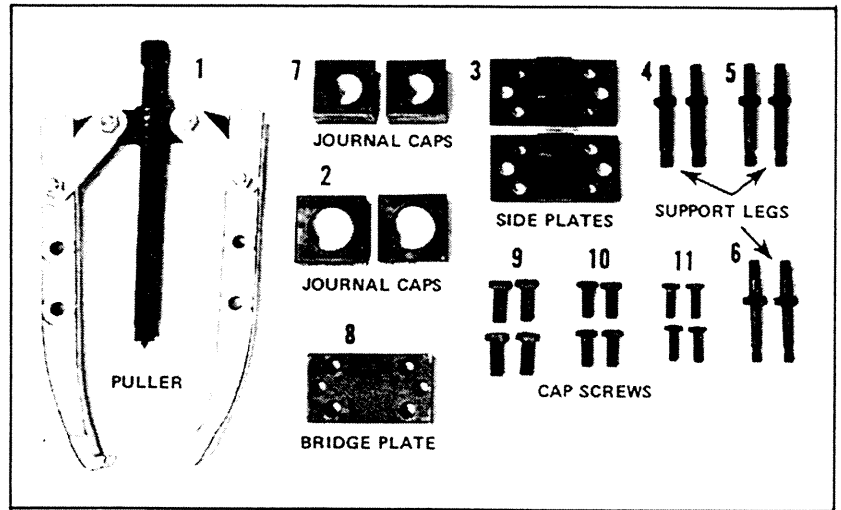
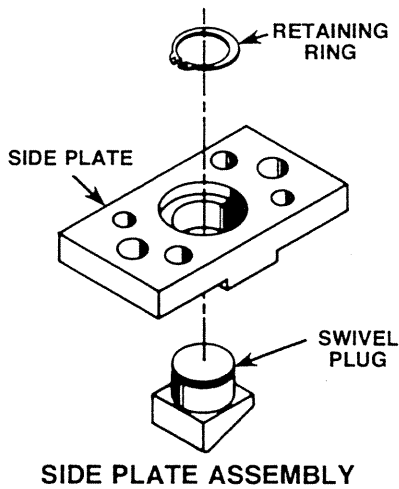


U-JOINT PRESS NO. 7057

OPERATING INSTRUCTIONS AND PARTS LIST



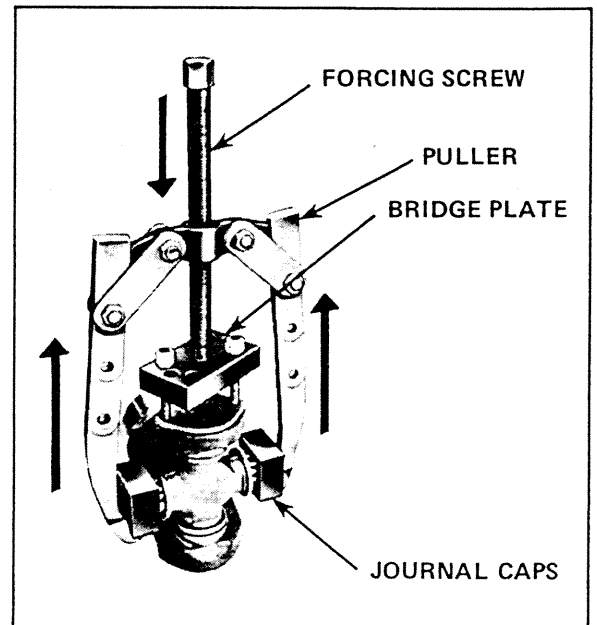
CONTENTS OF SET NO. 7057

ITEM NO.	PART NO.	DESCRIPTION	ITEM NO.	PART NO.	DESCRIPTION	ITEM NO.	PART NO.	DESCRIPTION
1	1036	Puller	6	201465	Leg (5/16-24 UNF)	11	16140	Cap Screw (5/16-24 UNF)
2	201456	Journal Caps (1800)	7	201457	Journal Caps	12	201534	Storage Box (not shown)
3	201533	Side Plates Assy.	8	36143	Bridge Plate	13	10204	Hex Nut (3/8-16 UNC - not shown)
	36149	Side Plate	9	16142	Cap Screw (7/16-20 UNF)			
	11999	Retaining Ring	10	16141	Cap Screw (3/8-24 UNF)			
	201455	Swivel Plug						
4	201466	Leg (7/16-20 UNF)						
5	201464	Leg (3/8-24 UNF)						

HOW THE SET IS USED:

The No. 7057 U-Joint Press is used to separate 1600 thru 1880-series Spicer Universal Joints while on the vehicle. It also can be used to remove the cross and bearings from the yoke. Once the No. 7057 press has been assembled to the U-Joint, disassembly of the joint can be completed with ease. The puller's forcing screw exerts a downward force on the bridge plate, while the puller's legs create a force in an upward direction. The counter acting force of the puller's legs lift the cross assembly. As the cross assembly is forced up, the bearing is forced out of the yoke assembly. See illustration to the right.

⚠ CAUTION: *The puller in this service set has a rated capacity of 7 tons. This set should only be used by trained personnel. Always wear eye protection during a job in the event that work parts might fly loose. It is recommended to cover the work with heavy canvas or use a shield while force is being applied.*



SEPARATING YOKE ASSEMBLY (U-JOINT ON VEHICLE)

STEP 1

Remove the eight cap screws that retain the bearings to the yoke assemblies.

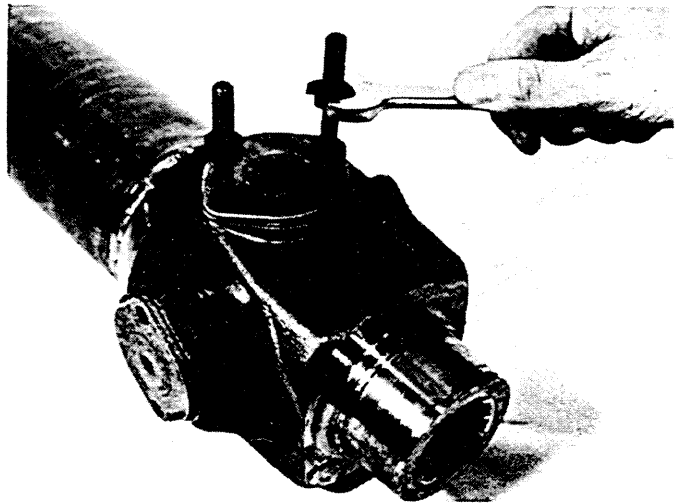


FIGURE 1

STEP 2

Select two support legs (4, 5 or 6,) having the same type thread and size as cap screws previously removed. Turn legs into yoke assembly (from which bearing is to be removed) until they bottom. (See Figure 1)

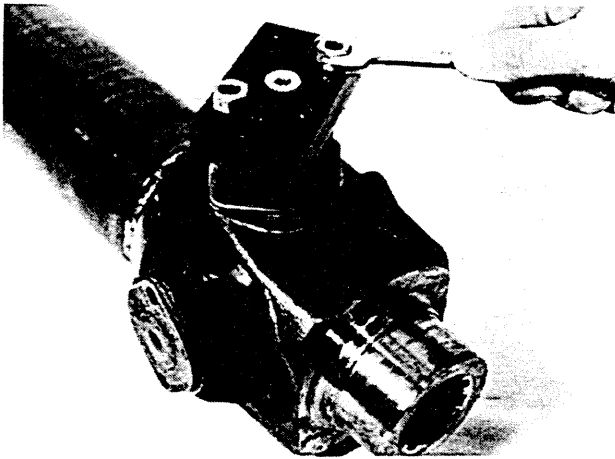


FIGURE 2

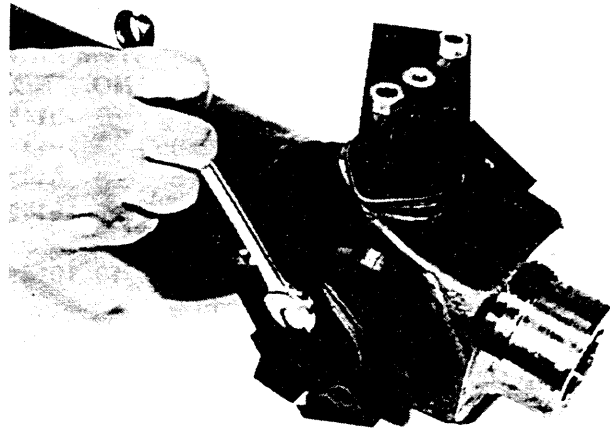


FIGURE 3

STEP 3

Attach bridge plate (8) to the support legs with two 3/8"-16 UNC hex nuts provided. Note: The hole spacing in the bridge plate is arranged to accommodate the hole spacing in the various models of u-joints. Make sure holes selected in bridge plate are exactly opposite one another. Apply grease to detent in bridge plate before using puller, also, see decal in box cover for care and lubrication of puller's forcing screw. (See Figure 2)

STEP 4

Secure side plates (3) to yoke adjacent to the yoke to which the bridge plate is attached. Use correct sized cap screws (9, 10 or 11) provided with the set. (See Figure 3)

- Set up the puller on u-joint as shown in Figure 4. (See next page)
- Turn puller's forcing screw clockwise until first bearing is extracted.
- Install support legs and bridge plate on opposite side of the yoke assembly, set up puller and repeat step b.

CONTINUED ON NEXT PAGE . . .

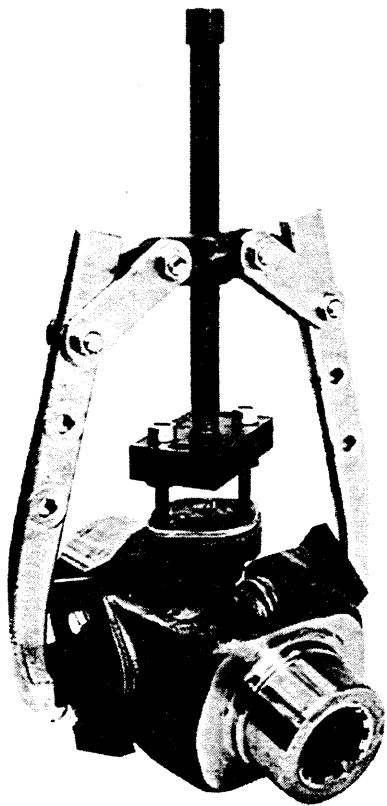


FIGURE 4

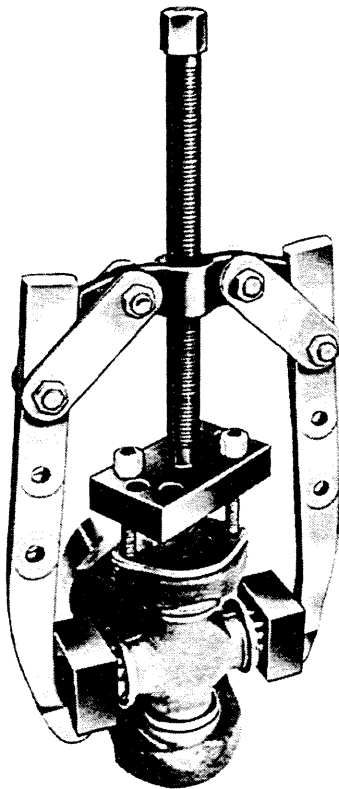


FIGURE 6

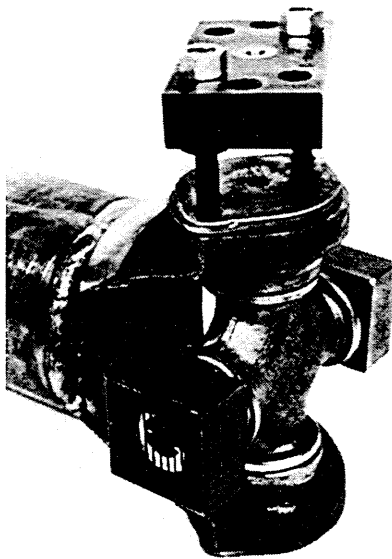


FIGURE 5

STEP 5

To remove remaining cross and bearings, attach support legs (4, 5 or 6) and bridge plate (8), using same procedure followed in steps 2 and 3.

STEP 6

Select 2 journal caps (2 or 7) - use set that best fits trunions of joint you are disassembling. Place them over the exposed ends of the u-joint cross (both sides). (See Figure 5)

STEP 7

Set up puller on u-joint with tooling attached as shown in Figure 6, and remove the bearing. Follow procedure used in step 4 b to remove bearing. Note: Make sure puller jaws are centered on journal caps before force is applied to bridge plate.

STEP 8

Repeat steps 6 and 7 on opposite side of yoke to remove remaining bearing.

STEP 9

To remove cross and bearings from the yoke, a shop press may be used in place of the puller. Set up as per Figure 7.

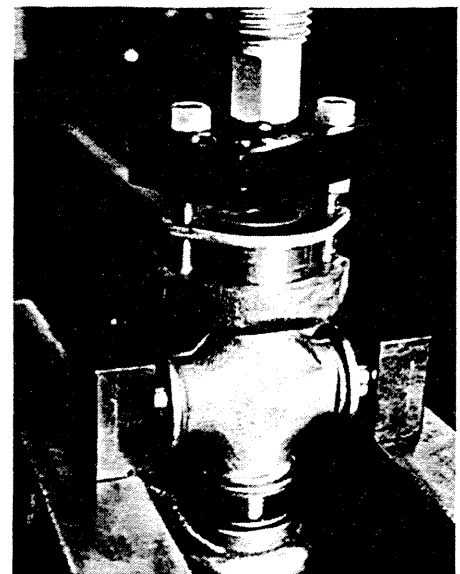


FIGURE 7



A division of SPX Corporation
655 Eisenhower Drive
Owatonna, MN 55060