



655 Eisenhower Drive
 Owatonna, MN 55060 USA
 Phone: (507) 455-7000
 Tech. Serv.: (800) 533-6127
 Fax: (800) 955-8329
 Order Entry: (800) 533-6127
 Fax: (800) 283-8665
 International Sales: (507) 455-7223
 Fax: (507) 455-7063
 Website: www.otctools.com

Form No. 537211

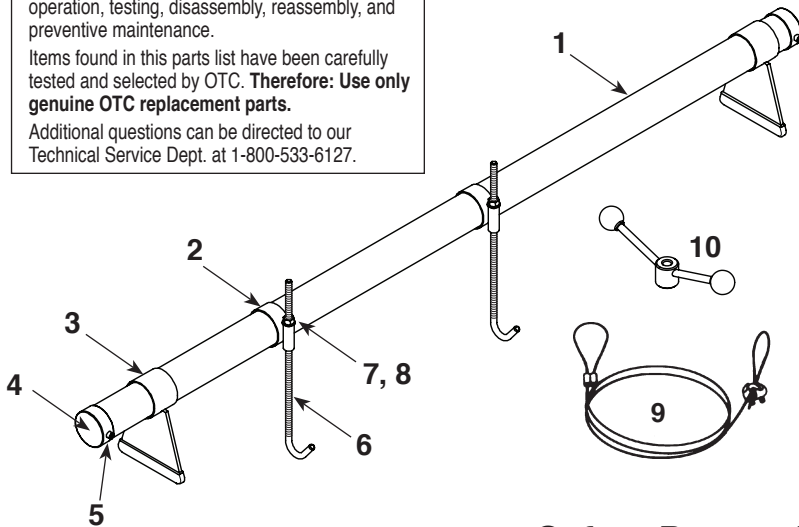
**Parts List &
 Operating Instructions**
 for:

1723

Engine Support Bar

Maximum Capacity: 500 lbs.

Refer to any operating instructions included with the product for detailed information about operation, testing, disassembly, reassembly, and preventive maintenance.
 Items found in this parts list have been carefully tested and selected by OTC. **Therefore: Use only genuine OTC replacement parts.**
 Additional questions can be directed to our Technical Service Dept. at 1-800-533-6127.



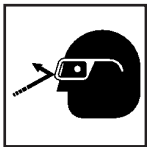
Parts List

Item No.	Part No.	No. Reqd.	Description
1	532525	1	Tube
2	532936	2	Slide
3	532935	2	Support Foot
4	537077	2	End Cap
5	11006	2	Cap Screw
6	540863	2	J-Hook
7	540670	2	Washer (14 mm)
8	10208	2	Hex Nut (1/2-13)
9	541000	2	Sling
10	538531	1	Socket Wrench
	537209	1	Decal

Safety Precautions



WARNING: To prevent personal injury,



- Study, understand, and follow all instructions before using this device.
- Wear eye protection that meets ANSI Z87.1 and OSHA standards.
- This tool is designed to be an engine support bar when a transverse axle or transmission is being repaired or removed. Do not use this tool for any purpose other than for which it was designed.
- Do not exceed the rated capacity of this tool.
- The vehicle's lip structure strength must be adequate to support the weight of the engine; the lip structure surface must be flat to prevent slippage of the engine support bar.
- Stay out from underneath a load that is suspended by a lifting or support device.

Operating Instructions

1. Inspect the mounting areas of the vehicle's lip structure to determine the strongest area in which to mount the engine support bar.
2. Assemble the support bar as shown in the parts list.
 - **If the engine has a support bracket**, position the support feet on the vehicle's lip structure, and catch the engine bracket with a J-hook.
 - **If the engine does not have a support bracket**, place the sling around the engine and attach it to the two J-hooks as shown.

Note: If the engine sags when attached to the engine support bar, adjust the J-hooks.

