



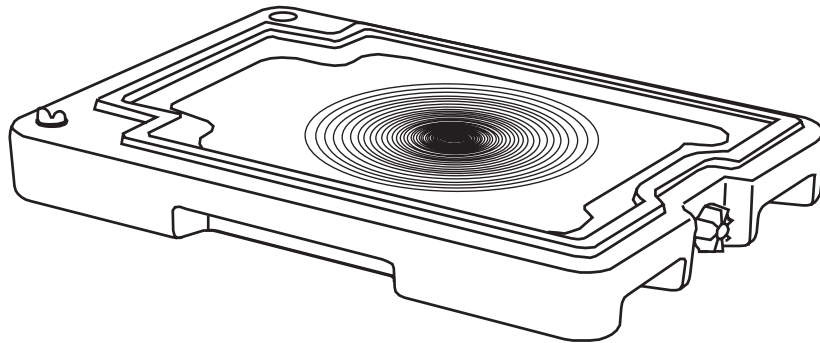
655 EISENHOWER DRIVE
 OWATONNA, MN 55060 USA
 PHONE: (507) 455-7000
 TECH. SERV.: (800) 533-6127
 FAX: (800) 955-8329
 ORDER ENTRY: (800) 533-6127
 FAX: (800) 283-8665
 INTERNATIONAL SALES: (507) 455-7223
 FAX: (507) 455-7063

Form No. 542659

Parts List &
 Operating Instructions for: 1577

Transfer Tanker

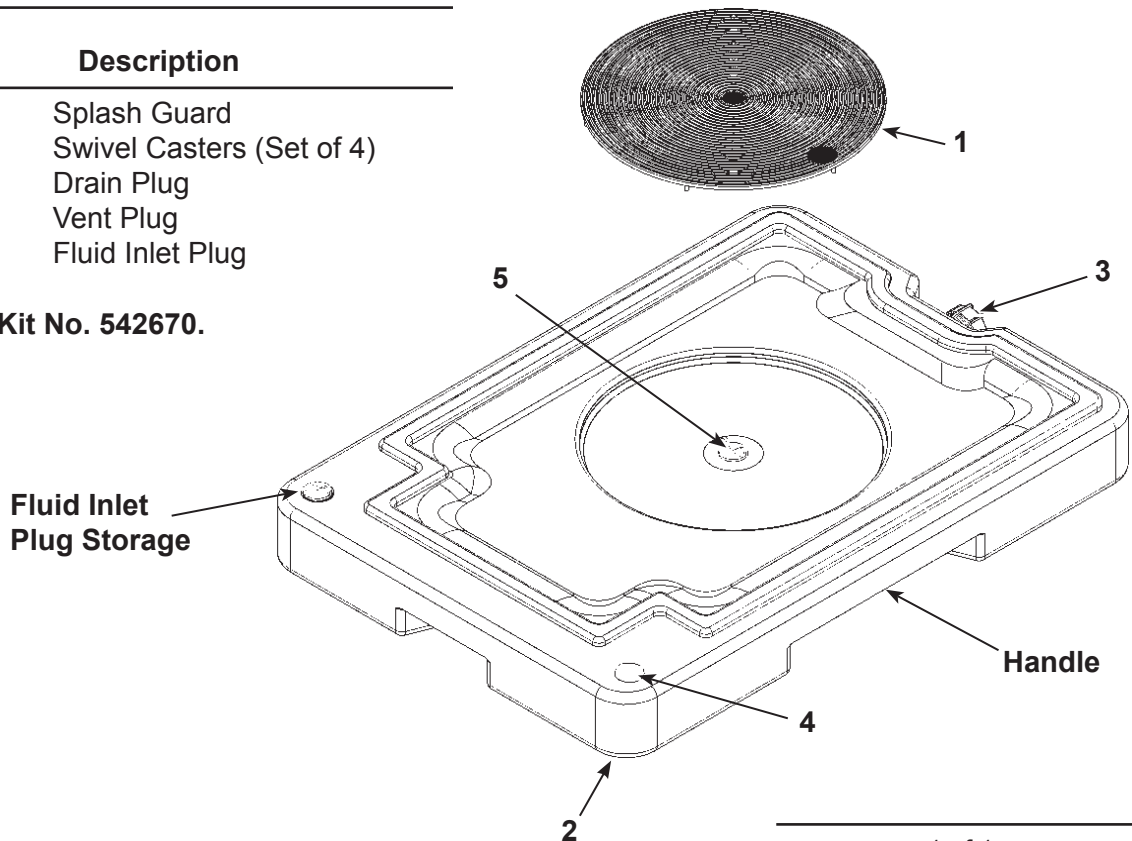
Max. Capacity: 30 liters (8 gallons)



PARTS LIST

Item No.	Part No.	Description
1	542669	Splash Guard
2	542671	Swivel Casters (Set of 4)
*3	---	Drain Plug
*4	---	Vent Plug
*5	---	Fluid Inlet Plug

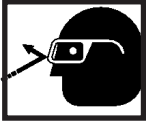
*Sold as Plug Kit No. 542670.



Sheet No. 1 of 1

Issue Date: Rev. B March 5, 2015

SAFETY PRECAUTIONS



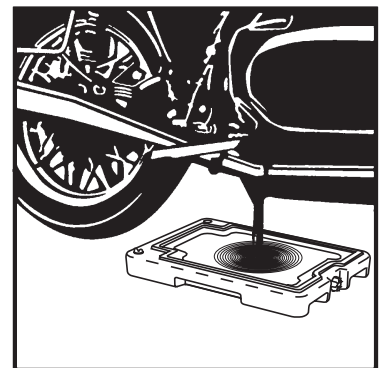
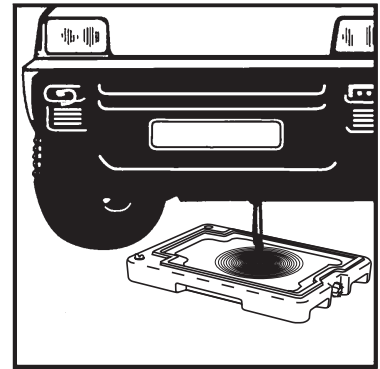
CAUTION: To prevent personal injury,

- Wear eye protection that meets ANSI Z87.1 and OSHA standards.
- Lift with your legs keeping your back straight, and avoid twisting by moving your feet and not your waist. Get help when lifting heavy loads.



OPERATING INSTRUCTIONS

1. Lift the splash screen off the tank to expose the fluid inlet plug.
2. Remove the fluid inlet plug, and place it on the tank storage spot for safekeeping.
3. Replace the splash screen over the open fluid inlet hole.
4. Roll the tanker into position, and release the fluid into the tanker.
5. When finished, replace the fluid inlet plug, and roll the tanker to a waste fluid collection area.
6. Open the vent plug.
7. Have someone help when lifting the transfer tanker to empty its contents.
8. Open the drain plug to pour out the waste fluid.
9. Dispose of waste fluids according to local, state, and federal laws.



Refer to any operating instructions included with the product for detailed information about operation, testing, disassembly, reassembly, and preventive maintenance.

Items found in this list have been carefully tested and selected. **Therefore: Use only genuine replacement parts!**

Additional questions can be directed to our Technical Service Department.