

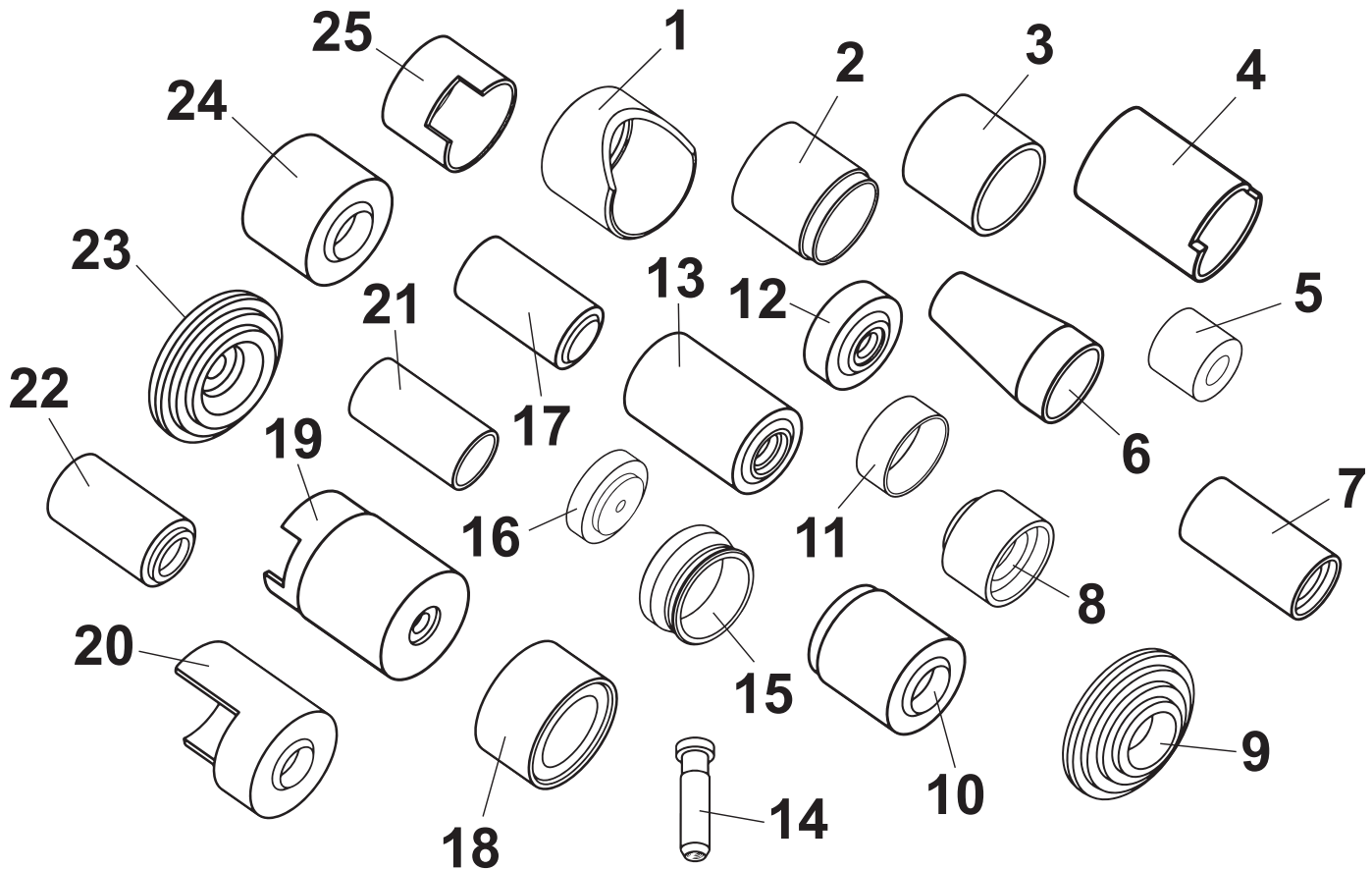


655 Eisenhower Drive  
 Owatonna, MN 55060 USA  
 Phone: (507) 455-7000  
 Tech. Serv.: (800) 533-6127  
 Fax: (800) 955-8329  
 Order Entry: (800) 533-6127  
 Fax: (800) 283-8665  
 International Sales: (507) 455-7223  
 Fax: (507) 455-7063

Form No. 555191

Parts List for: 6529-3

## Ford, Mazda Ball Joint Adapter Kit



### Parts List

Item No.	Part No.	Description
1	537499	Adapter
2	554413	Adapter
3	29505	Adapter
4	554429	Adapter
5	554404	Adapter
6	554401	Adapter
7	554416	Adapter
8	554415	Adapter
9	305227	Adapter
10	38354	Adapter
11	554422	Adapter
12	204508A	Adapter
13	38355A	Adapter
14	314392	Plug

Item No.	Part No.	Description
15	554402	Adapter
16	554403	Adapter
17	538591	Adapter
18	554417	Adapter
19	313967	Adapter
20	313444	Remover
21	554419	Adapter
22	314426	Adapter
23	305228	Adapter
24	39976	Adapter
25	531739	Adapter

Page No. 1 of 12

Issue Date: Rev. D, September 7, 2017

NOTE: Models not listed most likely require the control arm with ball joint assembly be replaced, or has a bolt-in style ball joint.

## Ford

Model	Year	Type	Position	Location	Removal Adapters	Installation Adapters	Page
Crown Victoria	1995-2002	Car	Lower	Front	305228, 537499, 554415	204508A, 313967	4
Crown Victoria	2003-2011	Car	Lower	Front	313444	38354, 554413	5
Crown Victoria	2003-2006	Car	Upper	Front	531739, 554419	305227, 554422, 554429	6
Fusion	2006-2012	Car	Upper	Front	29505, 305227, 554416	38355A, 554415	7
Mustang	1994-2004	Car	Lower	Front	39976, 538591	204508A, 313967	8
Mustang	2005-2008	Car	Lower	Front	29504, 305228, 313968	38354, 554414	9
Probe	1989-1997	Car	Lower	Front	38354, 314426	38354, 204508A	10
Taurus	1996-2007	Car	Lower	Front	554402, 554404	554401, 554403	11
Thunderbird	1989-1997	Car	Lower	Front	39976, 554419	39976, 554417	12

## Lincoln

Model	Year	Type	Position	Location	Removal Adapters	Installation Adapters	Page
Continental	1995-2002	Car	Lower	Front	554402, 554404	554401, 554403	11
Mark VIII	1993-1998	Car	Lower	Front	39976, 554419	39976, 554417	12
MKZ	2007-2012	Car	Upper	Front	29505, 305227, 554416	38355A, 554415	7
Town Car	1995-2002	Car	Lower	Front	554415, 537499, 305228	204508A, 313967	4
Town Car	2003-2011	Car	Lower	Front	313444	38354, 554413	5
Town Car	2003-2006	Car	Upper	Front	531739, 554419	305227, 554422, 554429	6
Zephyr	2006	Car	Upper	Front	29505, 305227, 554416	38355A, 554415	7


## Mazda


Model	Year	Type	Position	Location	Removal Adapters	Installation Adapters	Page
626	1983-1997	Car	Lower	Front	38354, 314426	38354, 204508A	10
MX6	1988-1997	Car	Lower	Front	38354, 314426	38354, 204508A	10

## Mercury

Model	Year	Type	Position	Location	Removal Adapters	Installation Adapters	Page
Cougar	1989-1997	Car	Lower	Front	39976, 554419	39976, 554417	12
Grand Marquis	1995-2002	Car	Lower	Front	554415, 537499, 305228	204508A, 313967	4
Grand Marquis	2003-2011	Car	Lower	Front	313444	38354, 554413	5
Grand Marquis	2003-2006	Car	Upper	Front	531739, 554419	305227, 554422, 554429	6
Marauder	2003-2004	Car	Lower	Front	313444	38354, 554413	5
Marauder	2003-2004	Car	Upper	Front	531739, 554419	305227, 554422, 554429	6
Milan	2006-2011	Car	Upper	Front	29505, 305227, 554416	38355A, 554415	7
Sable	1996-2005	Car	Lower	Front	554402, 554404	554401, 554403	11

## Explanation of Safety Signal Words

 **WARNING:** Indicates a potentially hazardous situation which, if not avoided, could result in death or serious injury.

 **CAUTION:** Indicates a potentially hazardous situation which, if not avoided, may result in minor or moderate injury.

**CAUTION:** Used without the safety alert symbol indicates a potentially hazardous situation which, if not avoided, may result in property damage.

*Notes:* Provide clarity and helpful information.

## Safety Precautions

 **CAUTION:** To prevent personal injury,



- Wear protective eyewear that meets the requirements of ANSI Z87.1 and OSHA.



- Before performing any repairs on a vehicle, block all wheels to prevent movement.

- Check the final alignment of tooling and components before using the C-frame press to exert pressure.

## U-Joint Service

The C-frame included in this kit also may be used to service U-joints on most cars and light trucks – either on or off vehicle.

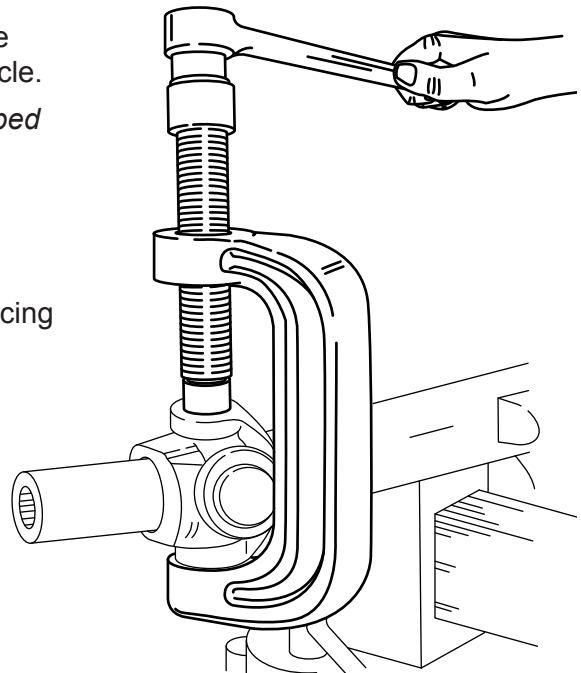
*Note: This application uses the standard plug (29501) shipped with the forcing screw, not the 314392.*

### Disassembly

1. Remove external / internal lock rings.
2. Position C-frame around driveshaft yoke, and tighten forcing screw until first bearing is removed.
3. Position C-frame on second bearing, and tighten forcing screw until second bearing is removed.

### Assembly

1. Clean dirt and oil from yoke area.
2. Align C-frame and new bearing as straight as possible over yoke.
3. Press new bearing into yoke, and install lock rings.
4. Position C-frame and second bearing as straight as possible over yoke.
5. Press new bearing into yoke, and install lock rings.



# Ball Joint: Lower Front

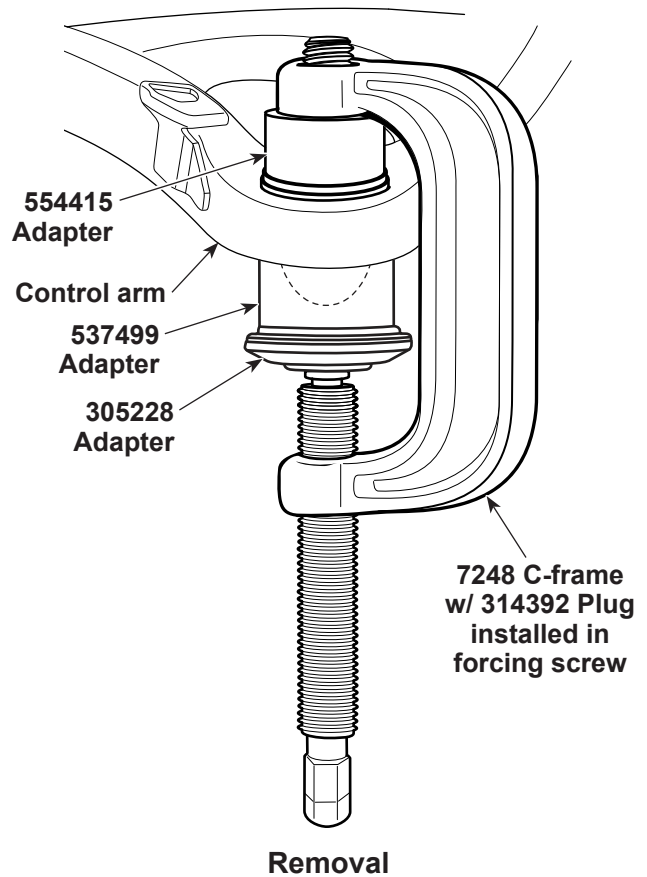
## Application

Ford Crown Victoria 1995-2002  
Lincoln Town Car 1995-2002  
Mercury Grand Marquis 1995-2002

*Note: Remove live center plug from C-frame forcing screw; replace it with 314392 plug supplied with this kit.*

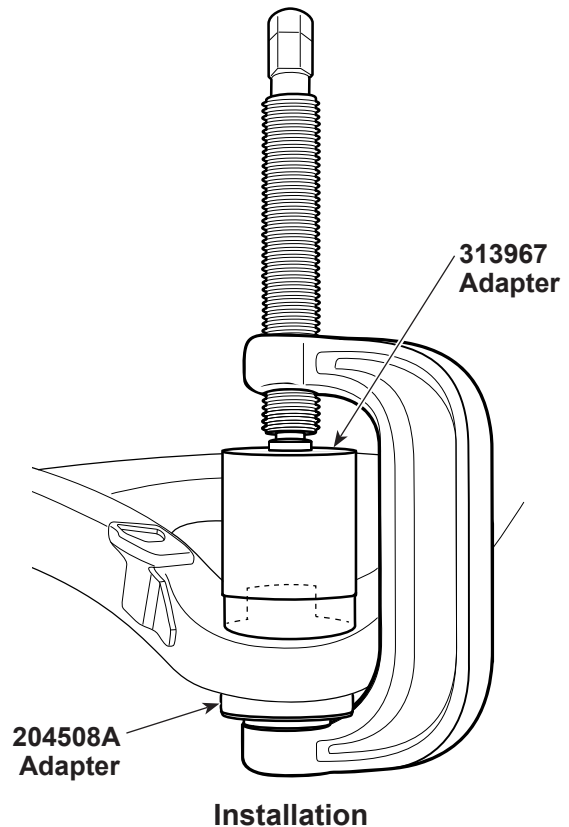
## Removal

1. Remove dust boot.
2. Position components as shown.
3. Turn forcing screw until plug meets ball joint or adapter. Check alignment of all components.
4. Tighten forcing screw until ball joint is removed.



## Installation

1. Clean ball joint bore in control arm.
2. Insert new ball joint as straight as possible into control arm.
3. Position components as shown.
4. Turn forcing screw until plug meets ball joint or adapter. Check alignment of all components.
5. Tighten forcing screw until ball joint is firmly seated.
6. Install dust boot.



# Ball Joint: Lower Front

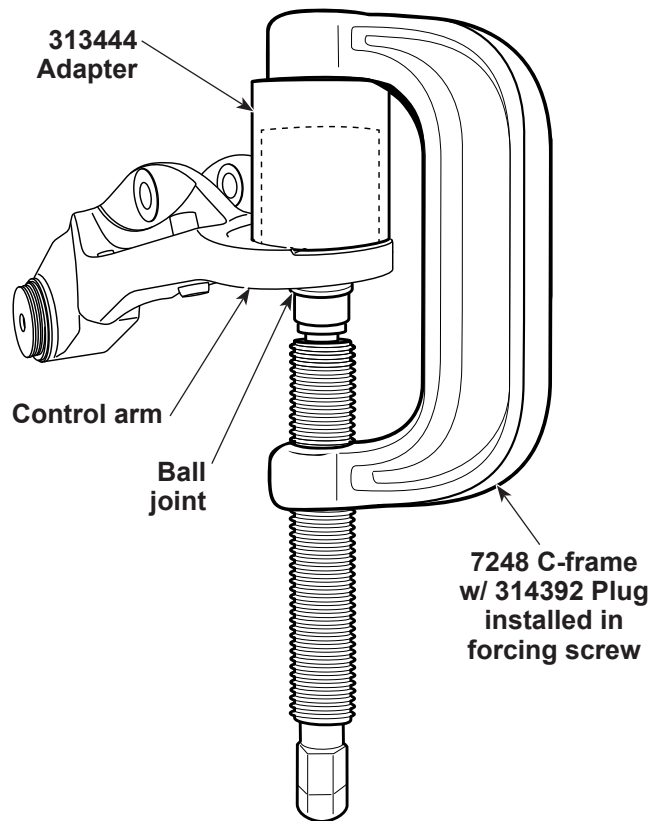
## Application

Ford Crown Victoria 2003-2011  
Lincoln Town Car 2003-2011  
Mercury Grand Marquis 2003-2011  
Mercury Marauder 2003-2004

*Note: Remove live center plug from C-frame forcing screw; replace it with 314392 plug supplied with this kit.*

## Removal

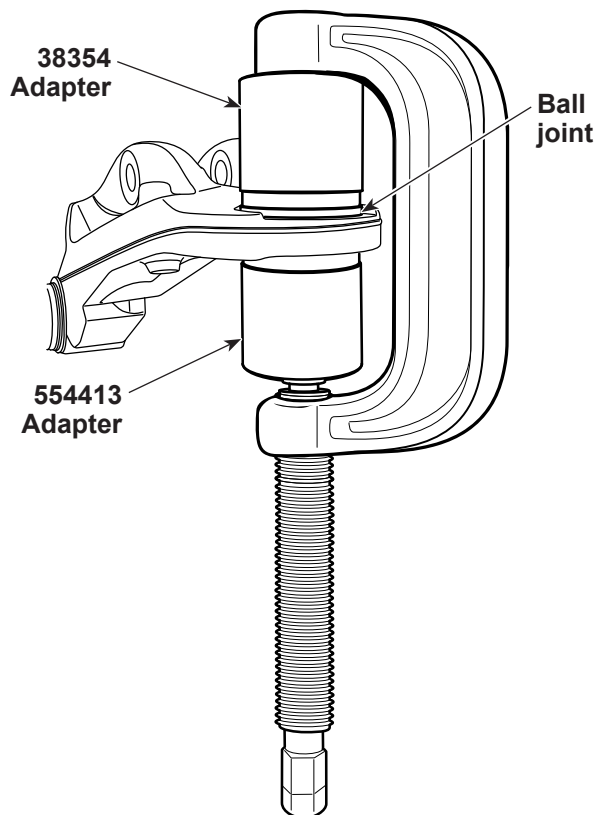
1. Remove dust boot.
2. Position components as shown.
3. Turn forcing screw until plug meets ball joint or adapter. Check alignment of all components.
4. Tighten forcing screw until ball joint is removed.



Removal

## Installation

1. Clean ball joint bore in control arm.
2. Insert new ball joint as straight as possible into control arm.
3. Position components as shown.
4. Turn forcing screw until plug meets ball joint or adapter. Check alignment of all components.
5. Tighten forcing screw until ball joint is firmly seated.
6. Install dust boot.



Installation

# Ball Joint: Upper Front

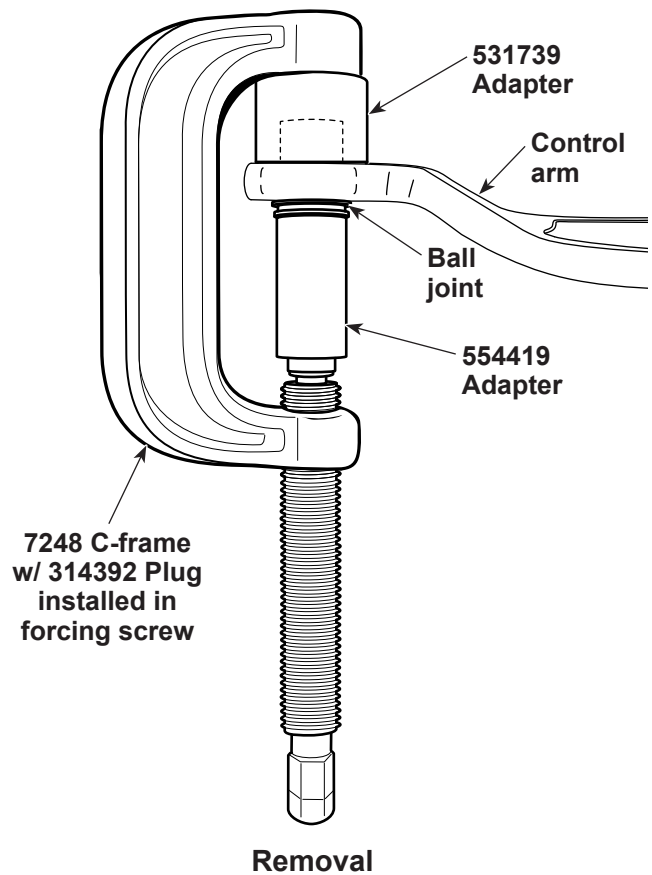
## Application

Ford Crown Victoria 2003-2006  
Lincoln Town Car 2003-2006  
Mercury Grand Marquis 2003-2006  
Mercury Marauder 2003-2004

*Note: Remove live center plug from C-frame forcing screw; replace it with 314392 plug supplied with this kit.*

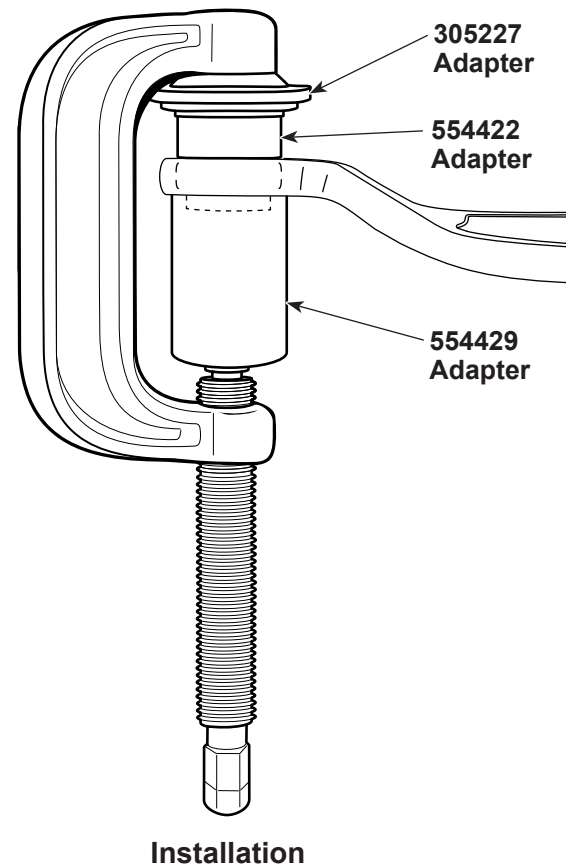
## Removal

1. Remove dust boot.
2. Position components as shown.
3. Turn forcing screw until plug meets ball joint or adapter. Check alignment of all components.
4. Tighten forcing screw until ball joint is removed.



## Installation

1. Clean ball joint bore in control arm.
2. Insert new ball joint as straight as possible into control arm.
3. Position components as shown.
4. Turn forcing screw until plug meets ball joint or adapter. Check alignment of all components.
5. Tighten forcing screw until ball joint is firmly seated.
6. Install dust boot.



# Ball Joint: Upper Front

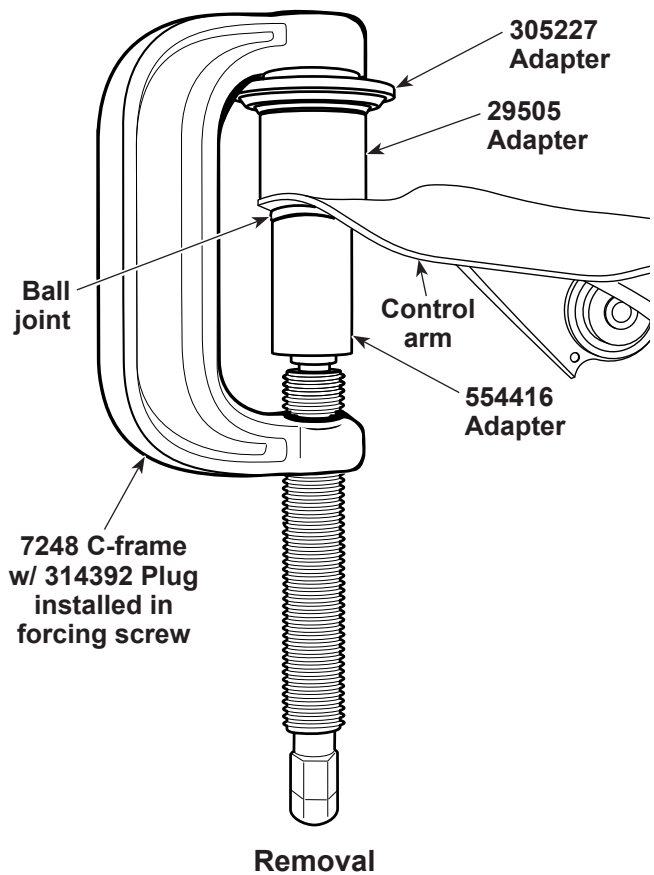
## Application

Ford Fusion 2006-2012  
Lincoln MKZ 2007-2012  
Lincoln Zephyr 2006  
Mercury Milan 2006-2011

*Note: Remove live center plug from C-frame forcing screw; replace it with 314392 plug supplied with this kit.*

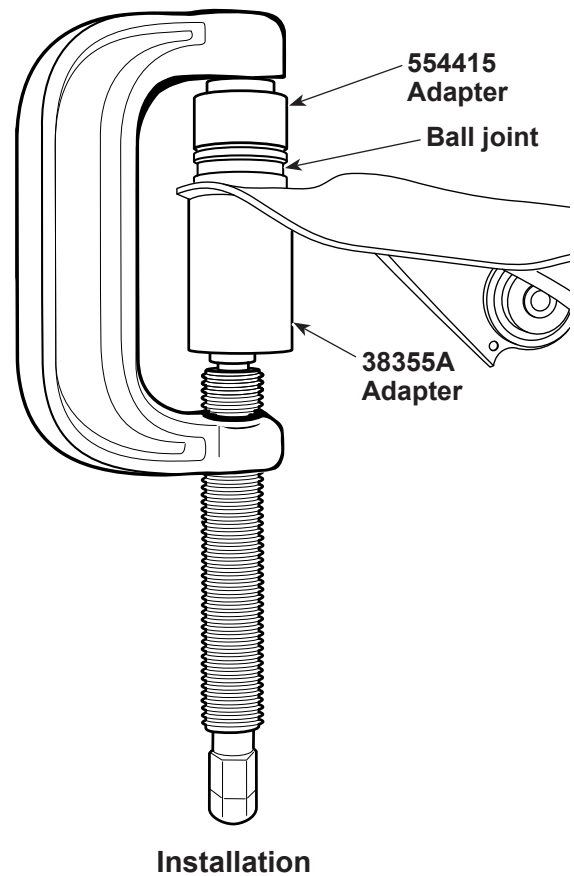
## Removal

1. Remove dust boot.
2. Position components as shown.
3. Turn forcing screw until plug meets ball joint or adapter. Check alignment of all components.
4. Tighten forcing screw until ball joint is removed.



## Installation

1. Clean ball joint bore in control arm.
2. Insert new ball joint as straight as possible into control arm.
3. Position components as shown.
4. Turn forcing screw until plug meets ball joint or adapter. Check alignment of all components.
5. Tighten forcing screw until ball joint is firmly seated.
6. Install dust boot.



# Ball Joint: Lower Front

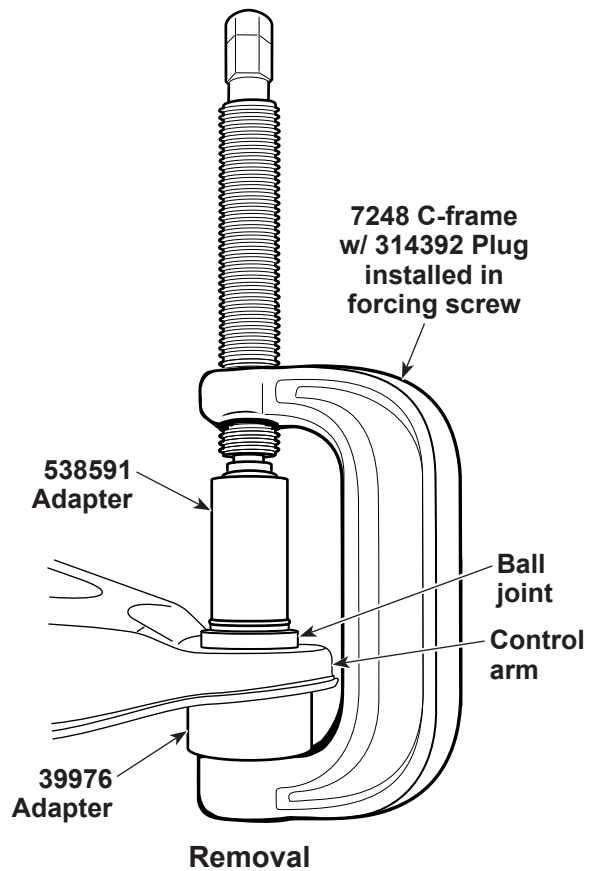
## Application

Ford Mustang 1994-2004

*Note: Remove live center plug from C-frame forcing screw; replace it with 314392 plug supplied with this kit.*

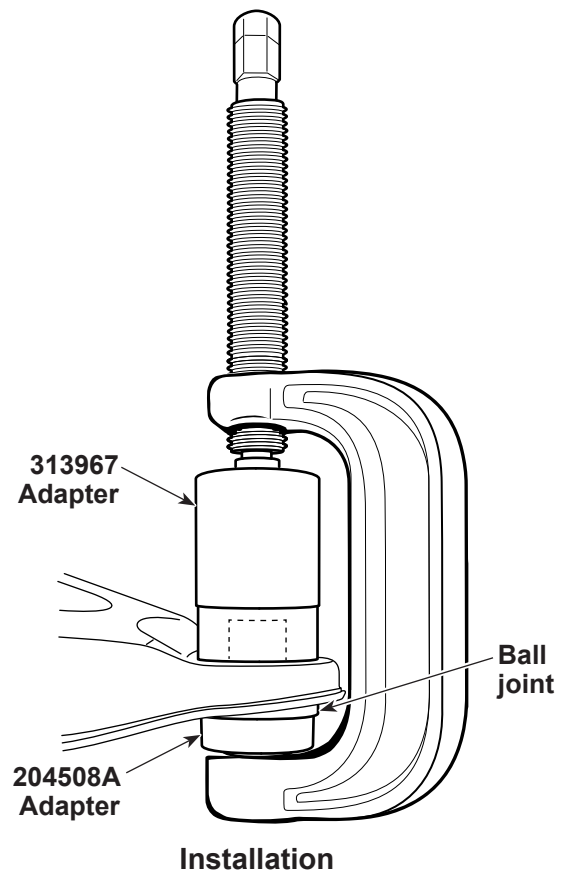
## Removal

1. Remove dust boot.
2. Position components as shown.
3. Turn forcing screw until plug meets ball joint or adapter. Check alignment of all components.
4. Tighten forcing screw until ball joint is removed.



## Installation

1. Clean ball joint bore in control arm.
2. Insert new ball joint as straight as possible into control arm.
3. Position components as shown.
4. Turn forcing screw until plug meets ball joint or adapter. Check alignment of all components.
5. Tighten forcing screw until ball joint is firmly seated.
6. Install dust boot.





# Ball Joint: Lower Front

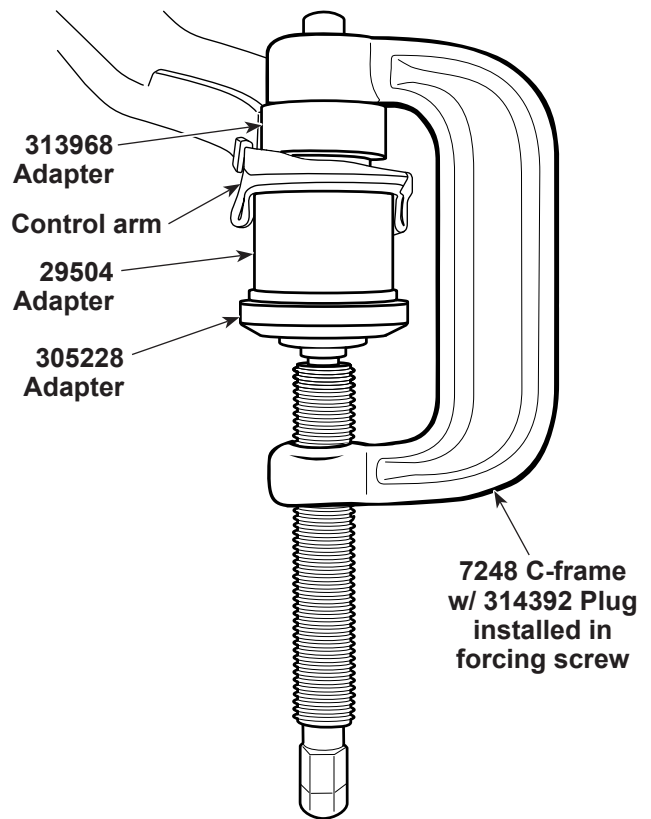
## Application

Ford Mustang 2005-2008

*Note: Remove live center plug from C-frame forcing screw; replace it with 314392 plug supplied with this kit.*

## Removal

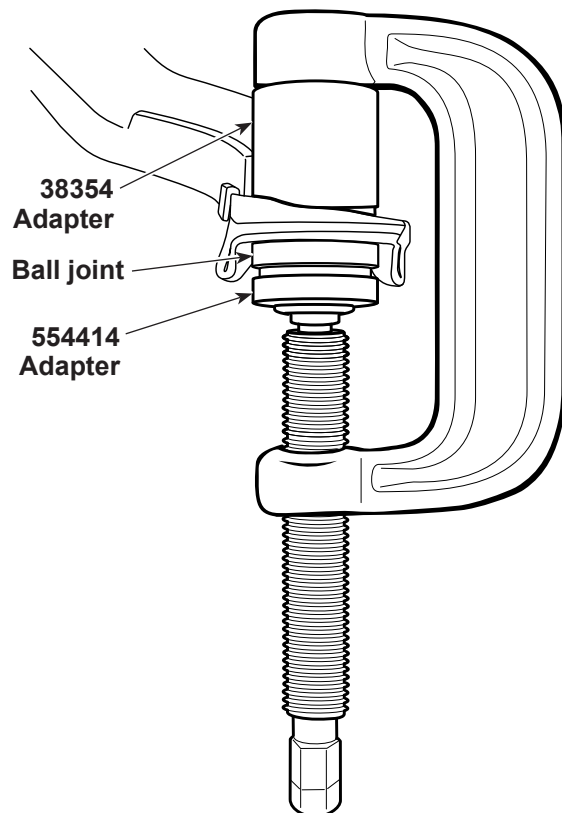
1. Remove dust boot.
2. Position components as shown.
3. Turn forcing screw until plug meets ball joint or adapter. Check alignment of all components.
4. Tighten forcing screw until ball joint is removed.



Removal

## Installation

1. Clean ball joint bore in control arm.
2. Insert new ball joint as straight as possible into control arm.
3. Position components as shown.
4. Turn forcing screw until plug meets ball joint or adapter. Check alignment of all components.
5. Tighten forcing screw until ball joint is firmly seated.
6. Install dust boot.



Installation

# Ball Joint: Lower Front

## Application

Ford Probe 1989-1997

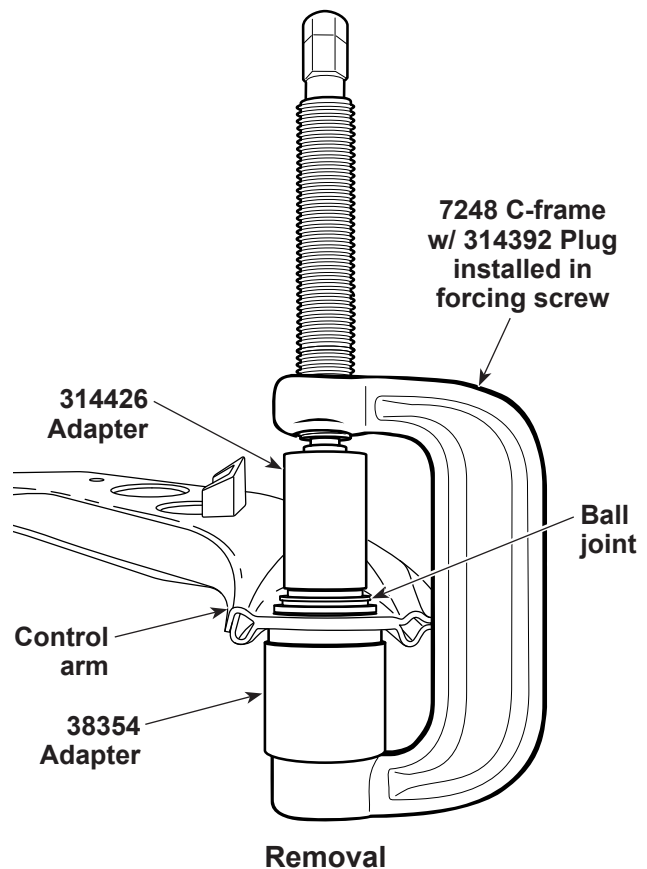
Mazda 626 1983-1997

Mazda MX6 1988-1997

*Note: Remove live center plug from C-frame forcing screw; replace it with 314392 plug supplied with this kit.*

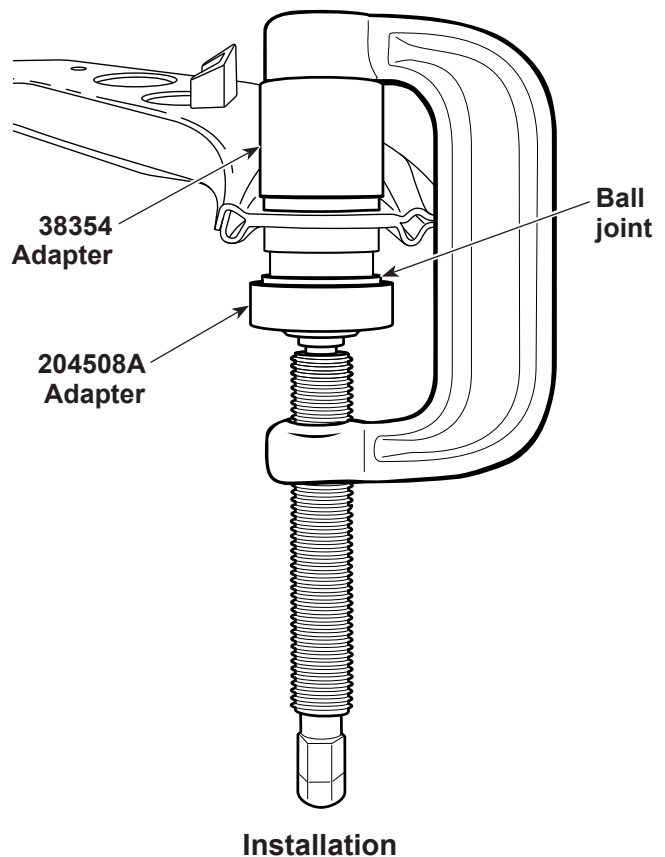
## Removal

1. Remove dust boot.
2. Position components as shown.
3. Turn forcing screw until plug meets ball joint or adapter. Check alignment of all components.
4. Tighten forcing screw until ball joint is removed.



## Installation

1. Clean ball joint bore in control arm.
2. Insert new ball joint as straight as possible into control arm.
3. Position components as shown.
4. Turn forcing screw until plug meets ball joint or adapter. Check alignment of all components.
5. Tighten forcing screw until ball joint is firmly seated.
6. Install dust boot.



# Ball Joint: Lower Front

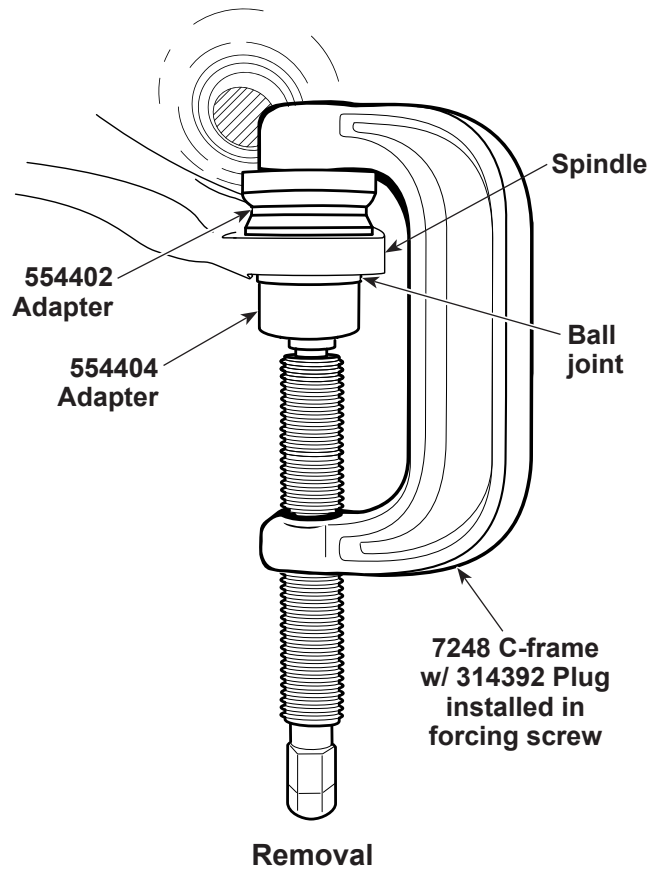
## Application

Ford Taurus 1996-2007  
Lincoln Continental 1995-2002  
Mercury Sable 1996-2005

*Note: Remove live center plug from C-frame forcing screw; replace it with 314392 plug supplied with this kit.*

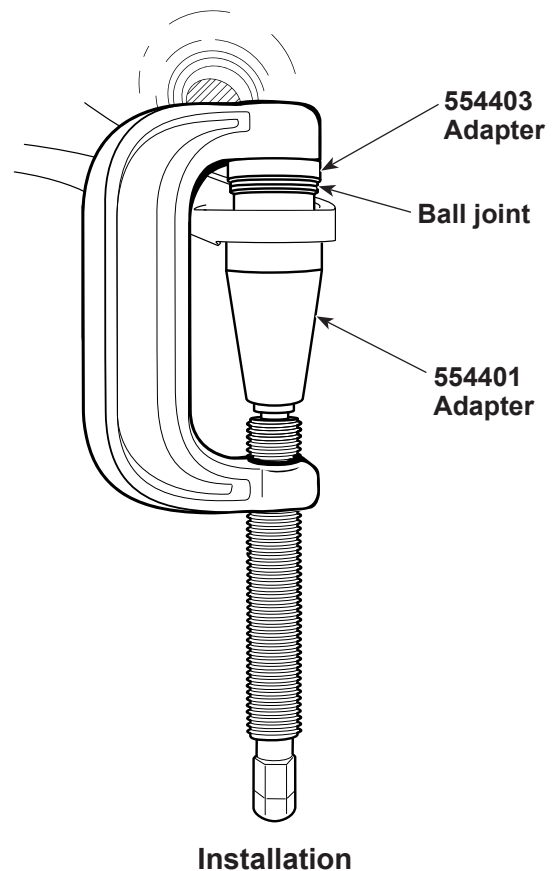
## Removal

1. Remove dust boot.
2. Position components as shown.
3. Turn forcing screw until plug meets ball joint or adapter. Check alignment of all components.
4. Tighten forcing screw until ball joint is removed.



## Installation

1. Clean ball joint bore in spindle.
2. Insert new ball joint as straight as possible into spindle.
3. Position components as shown.
4. Turn forcing screw until plug meets ball joint or adapter. Check alignment of all components.
5. Tighten forcing screw until ball joint is firmly seated.
6. Install dust boot.



# Ball Joint: Lower Front

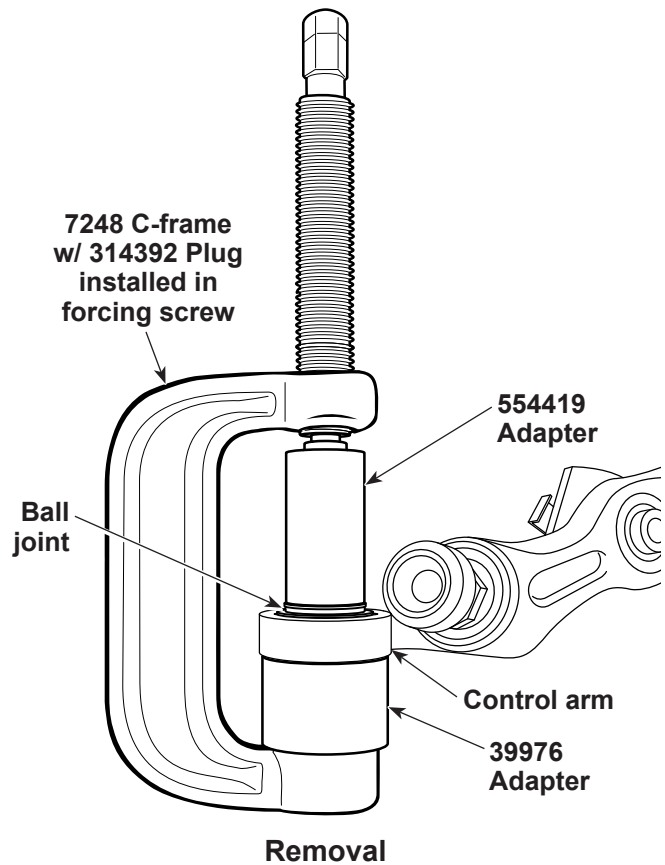
## Application

Ford Thunderbird 1989-1997  
Lincoln Mark VIII 1993-1998  
Mercury Cougar 1989-1997

*Note: Remove live center plug from C-frame forcing screw; replace it with 314392 plug supplied with this kit.*

## Removal

1. Remove dust boot.
2. Position components as shown.
3. Turn forcing screw until plug meets ball joint or adapter. Check alignment of all components.
4. Tighten forcing screw until ball joint is removed.



## Installation

1. Clean ball joint bore in control arm.
2. Insert new ball joint as straight as possible into control arm.
3. Position components as shown.
4. Turn forcing screw until plug meets ball joint or adapter. Check alignment of all components.
5. Tighten forcing screw until ball joint is firmly seated.
6. Install dust boot.

