

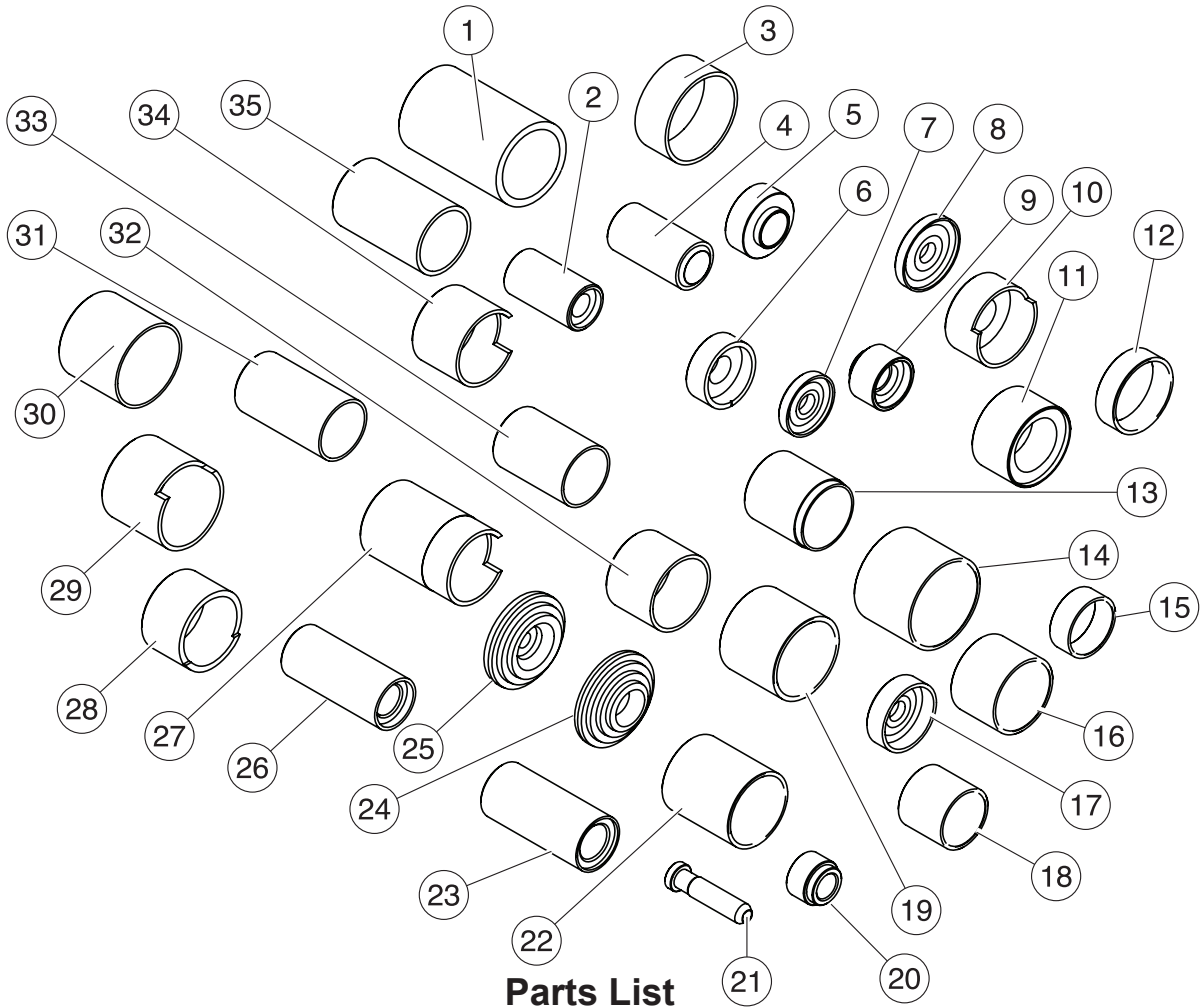


655 Eisenhower Drive
 Owatonna, MN 55060 USA
 Phone: (507) 455-7000
 Tech. Serv.: (800) 533-6127
 Fax: (800) 955-8329
 Order Entry: (800) 533-6127
 Fax: (800) 283-8665
 International Sales: (507) 455-7223
 Fax: (507) 455-7063

Form No. 558176

Parts List for: 6539-2

Chrysler, Jeep, Lexus, Mitsubishi and Toyota Truck Ball Joint Adapter Kit



Parts List

Item No.	Part No.	Description
1	555570	Adapter
2	538590	Adapter
3	555532	Adapter
4	538591	Adapter
5	555376	Adapter
6	313970	Adapter
7	554414	Adapter
8	555380	Adapter
9	554415	Adapter
10	555377	Adapter
11	554417	Adapter
12	222304	Adapter
13	38354	Adapter

Item No.	Part No.	Description
14	29503	Adapter
15	554422	Adapter
16	29504	Adapter
17	204508A	Adapter
18	29505	Adapter
19	222307	Adapter
20	313968	Adapter
21	314392	Plug
22	222305	Adapter
23	555611	Adapter
24	305227	Adapter
25	305228	Adapter
26	555610	Adapter

Item No.	Part No.	Description
27	313967	Adapter
28	555612	Adapter
29	555613	Adapter
30	555614	Adapter
31	38355A	Adapter
32	39976	Adapter
33	313969	Adapter
34	531739	Adapter
35	555379	Adapter

Page No. 1 of 37

Issue Date: Rev. C, September 15, 2017

Chrysler

NOTE: Models not listed most likely require the control arm with ball joint assembly be replaced, or has a bolt-in style ball joint.

Model	Year	Type	Position	Location	Removal Adapters	Installation Adapters	Page
Aspen 2WD/4WD	2007-2009	SUV	Lower	Front	555613	29504 & 305227 (or 39976), 222304, 305228	8
Grand Voyager	2000	Van	Lower	Front	313968, 313969	38355A (or 29505 & 305227), 554414	9
Pacifica FWD/AWD	2005-2008	Van	Lower	Front	313968, 313969	38355A, 554414	10
Town & Country	1991-2000	Van	Lower	Front	313968, 313969	38355A (or 29505 & 305227), 554414	9
Town & Country	2001-2007	Van	Lower	Front	313968, 313969	29505, 305227, 554414	12
Voyager	2000	Van	Lower	Front	313968, 313969	38355A (or 29505 & 305227), 554414	9

Dodge

Model	Year	Type	Position	Location	Removal Adapters	Installation Adapters	Page
Caravan	1991-2000	Van	Lower	Front	313968, 313969	38355A (or 29505 & 305227), 554414	9
Caravan	2001-2007	Van	Lower	Front	313968, 313969	29505, 305227, 554414	12
Dakota 2WD	1987-1996	Truck	Lower	Front	222307, 305228, 555376	29504, 305227, 555380 (or 204508A)	14
Dakota 2WD/4WD	2005-2011	Truck	Lower	Front	555614	39976, 204508A	15
Dakota 4WD	1987-1996	Truck	Lower	Front	29504, 305227, 305228, 554422	39976, 204508A, 555378	16
Dakota 4WD	1997-2004	Truck	Lower	Front	29504 & 305227 (or 39976)	38354, 222304, 305228	17
Durango 2WD/4WD	2004-2009	SUV	Lower	Front	555613	29504 & 305227 (or 39976), 222304, 305228	8
Durango 4WD	1998-2003	SUV	Lower	Front	29504 & 305227 (or 39976)	38354, 222304, 305228	17
Grand Caravan	1991-2000	Van	Lower	Front	313968, 313969	38355A (or 29505 & 305227), 554414	9
Grand Caravan	2001-2007	Van	Lower	Front	313968, 313969	29505, 305227, 554414	12
Journey	2009-2017	SUV	Lower	Front	554590, 554592	38355A, 554593	11
Nitro 2WD/4WD	2007-2011	SUV	Lower	Front	555613	39976, 204508A	18
Ram 1500 w/ rack & pinion steering	2006-2008, 2012	Truck	Upper	Front	29504 (or 222305), 305228, 554415	204508A (or 555380), 555379	30
Ram 1500 2WD	1994-1999	Truck	Lower	Front	29503, 305227	38354, 222304, 305228	19
Ram 1500 2WD	1994-1999	Truck	Upper	Front	305227, 538591, 555532	554592, 555380 (or 204508A)	20
Ram 1500 2WD	1997-1999	Truck	Lower	Front	29503, 305227	29504 & 305227 (or 39976), 222304, 305228	21
Ram 1500 2WD/4WD	2002-2012	Truck	Lower	Front	555613	29504, 204508A, 305227	22

Dodge *(continued)*

NOTE: Models not listed most likely require the control arm with ball joint assembly be replaced, or has a bolt-in style ball joint.

Model	Year	Type	Position	Location	Removal Adapters	Installation Adapters	Page
Ram 1500 4WD	1994-1999	Truck	Lower	Front	313967, 313968	313969, 313970	24
Ram 1500 4WD	1994-2001	Truck	Upper	Front	313967, 313968	313969, 313970	25
Ram 1500 4WD w/ 216 FBI axle	2000-2001	Truck	Lower	Front	313967, 313968	313969, 313970	24
Ram 1500 4WD w/ 216 FBI axle	2000-2001	Truck	Upper	Front	313967, 313968	313969, 313970	25
Ram 1500 4WD w/ 248 FBI axle	2000-2001	Truck	Lower	Front	313967, 313968	313969, 313970	24
Ram 1500 4WD w/ 248 FBI axle	2000-2001	Truck	Upper	Front	313967, 313968	313969, 313970	25
Ram 1500 Mega Cab	2006-2008	Truck	Lower	Front	313444	29504 & 305227 (or 39976), 204508A	26
Ram 1500 Mega Cab w/ rack & pinion steering	2006-2008	Truck	Lower	Front	313968, 555570	204508A, 555379	29
Ram 1500 Mega Cab w/ rack & pinion steering	2006-2008	Truck	Upper	Front	29504 (or 222305), 305228, 554415	204508A (or 555380), 555379	30
Ram 1500 Mega Cab Light Duty	2006-2008	Truck	Lower	Front	555613	29504, 204508A, 305227	22
Ram 1500 Mega Cab 2WD/4WD w/ conventional steering	2006-2008	Truck	Upper	Front	555377, 555610	305228 (sometimes with 555379), 554414 (or 204508A), 555379	23
Ram 2500	2003-2013	Truck	Lower	Front	313444	29504 & 305227 (or 39976), 204508A	26
Ram 2500 w/ rack & pinion steering	2003-2013	Truck	Lower	Front	313968, 555570	204508A, 555379	29
Ram 2500 w/ rack & pinion steering	2006-2013	Truck	Upper	Front	29504 (or 222305), 305228, 554415	204508A (or 555380), 555379	30
Ram 2500 2WD	1994-1999	Truck	Lower	Front	29503, 305227	38354, 222304, 305228	19
Ram 2500 2WD	1994-1999	Truck	Upper	Front	305227, 538591, 555532	554592, 555380 (or 204508A)	20
Ram 2500 4WD w/ Dana 44 axle	1996-1999	Truck	Lower	Front	313967, 313968	313969, 313970	24
Ram 2500 4WD w/ Dana 44 axle	1994-1996	Truck	Upper	Front	313967, 313968	313969, 313970	25
Ram 2500 4WD w/ Dana 60 axle	1994-1999	Truck	Lower	Front	222305, 305227	38354, 204508A (or 222304 & 305228)	27
Ram 2500 4WD w/ Dana 60 axle	1994-1999	Truck	Upper	Front	29504 (or 222305), 305227	29505, 204508A, 305227	28
Ram 2500 Mega Cab	2006-2010	Truck	Lower	Front	313444	29504 & 305227 (or 39976), 204508A	26

(continued on the next page)

Dodge *(continued)*

NOTE: Models not listed most likely require the control arm with ball joint assembly be replaced, or has a bolt-in style ball joint.

Model	Year	Type	Position	Location	Removal Adapters	Installation Adapters	Page
Ram 2500 Mega Cab w/ rack & pinion steering	2003-2010	Truck	Lower	Front	313968, 555570	204508A, 555379	29
Ram 2500 Mega Cab w/ conventional steering	2006-2010	Truck	Upper	Front	555377, 555610	305228 (sometimes with 555379), 554414 (or 204508A), 555379	23
Ram 2500 HD w/ conventional steering	2003-2017	Truck	Upper	Front	555377, 555610	305228 (sometimes with 555379), 554414 (or 204508A), 555379	23
Ram 3500	2003-2013	Truck	Lower	Front	313444	29504 & 305227 (or 39976), 204508A	26
Ram 3500 w/ rack & pinion steering	2003-2012	Truck	Lower	Front	313968, 555570	204508A, 555379	29
Ram 3500 w/ rack & pinion steering	2006-2012	Truck	Upper	Front	29504 (or 222305), 305228, 554415	204508A (or 555380), 555379	30
Ram 3500 w/ conventional steering	2003-2017	Truck	Upper	Front	555377, 555610	305228 (sometimes with 555379), 554414 (or 204508A), 555379	23
Ram 3500 2WD w/ IFS	1994-1999	Truck	Lower	Front	29503, 305227	38354, 222304, 305228	19
Ram 3500 2WD w/ IFS	1994-1999	Truck	Upper	Front	305227, 538591, 555532	554592, 555380 (or 204508A)	20
Ram 3500 2WD w/ rack & pinion steering, solid front axle	2000-2002	Truck	Lower	Front	313968, 555570	204508A, 555379	29
Ram 3500 4WD	1996-1999	Truck	Lower	Front	222305, 305227	38354, 204508A (or 222304 & 305228)	27
Ram 3500 4WD	1996-1999	Truck	Upper	Front	29504 (or 222305), 305227	29505, 204508A, 305227	28
Ram 3500 4WD w/ solid front axle	1994-1999	Truck	Lower	Front	222305, 305227	38354, 204508A (or 222304 & 305228)	27
Ram 3500 4WD w/ solid front axle	1994-1999	Truck	Upper	Front	29504 (or 222305), 305227	29505, 204508A, 305227	28
Ram 3500 Mega Cab w/ conventional steering	2006-2010	Truck	Upper	Front	555377, 555610	305228 (sometimes with 555379), 554414 (or 204508A), 555379	23
Ram 3500 HD w/ conventional steering	2006-2017	Truck	Upper	Front	555377, 555610	305228 (sometimes with 555379), 554414 (or 204508A), 555379	23
Ram Van 1500/2500	1995-2003	Van	Lower	Front	222307, 305228, 555376	29504, 305227, 555380 (or 204508A)	14
Ram Van 3500 w/ 3600 lb. axle	1995-2003	Van	Lower	Front	222307, 305228, 555376	29504, 305227, 555380 (or 204508A)	13
Ram Van 3500 w/ 4000 lb. axle	1995-2003	Van	Lower	Front	29503, 305228, 555376	29503, 305227, 554417	31

(continued on the next page)

Dodge *(continued)*

NOTE: Models not listed most likely require the control arm with ball joint assembly be replaced, or has a bolt-in style ball joint.

Model	Year	Type	Position	Location	Removal Adapters	Installation Adapters	Page
Ram Van B100/200/300 w/ standard suspension	1971-1980	Van	Lower	Front	222307, 305228, 555376	29504, 305227, 555380 (or 204508A)	14
Ram Van B100/200/300 w/ heavy-duty suspension	1972-1980	Van	Lower	Front	29503, 305228, 555376	29503, 305227, 554417	31
Ram Van B150/250/350 w/ standard suspension	1981-1994	Van	Lower	Front	222307, 305228, 555376	29504, 305227, 555380 (or 204508A)	14
Ram Van B150/250/350 w/ heavy-duty suspension	1981-1994	Van	Lower	Front	29503, 305228, 555376	29503, 305227, 554417	31
Sprinter 2500/3500	2003-2006	Van	Lower	Front	222307, 305227	29504, 305227, 204508A (or 39976)	32

Freightliner

Model	Year	Type	Position	Location	Removal Adapters	Installation Adapters	Page
Freightliner 2500/3500	2002-2006	Van	Lower	Front	222307, 305227	29504, 305227, 204508A (or 39976)	32

Jeep

Model	Year	Type	Position	Location	Removal Adapters	Installation Adapters	Page
Cherokee	1984-2001	SUV	Lower	Front	313967, 313968	313969, 313970	24
Cherokee	1984-2001	SUV	Upper	Front	313967, 313968	313969, 313970	25
Cherokee (RHD)	1996-1998	SUV	Lower	Front	313967, 313968	313969, 313970	24
Cherokee (RHD)	1996-1998	SUV	Upper	Front	313967, 313968	313969, 313970	25
Commander 2WD/4WD	2006-2010	SUV	Lower	Front	555613	39976, 204508A	18
Commander 2WD/4WD	2006-2007	SUV	Upper	Front	555610, 555377	554414, 554592	33
Compass	2007-2016	SUV	Lower	Front	313968, 313969	313969, 554415	13
Grand Cherokee	1993-2004	SUV	Lower	Front	313967, 313968	313969, 313970	24
Grand Cherokee	1993-2004	SUV	Upper	Front	313967, 313968	313969, 313970	25
Grand Cherokee 2WD/4WD	2005-2011	SUV	Lower	Front	555613	39976, 204508A	18
Grand Cherokee 2WD/4WD	2005-2010	SUV	Upper	Front	555610, 555377	554414, 554592	33
Grand Wagoneer	1993-1994	SUV	Lower	Front	313967, 313968	313969, 313970	24
Liberty 2WD/4WD	2002-2007	SUV	Lower	Front	555611, 555612	313967	34
Liberty 2WD/4WD	2008-2012	SUV	Lower	Front	555613	39976, 204508A	18
Patriot	2007-2016	SUV	Lower	Front	313968, 313969	313969, 554415	13

NOTE: Models not listed most likely require the control arm with ball joint assembly be replaced, or has a bolt-in style ball joint.

Jeep *(continued)*

Model	Year	Type	Position	Location	Removal Adapters	Installation Adapters	Page
TJ	1997-2006	SUV	Lower	Front	313967, 313968	313969, 313970	24
TJ	1997-2006	SUV	Upper	Front	313967, 313968	313969, 313970	25
Wrangler	1987-2015	SUV	Lower	Front	313967, 313968	313969, 313970	24
Wrangler	1987-2015	SUV	Upper	Front	313967, 313968	313969, 313970	25

Lexus

Model	Year	Type	Position	Location	Removal Adapters	Installation Adapters	Page
LX470	1998-2007	SUV	Lower	Front	555614	38354, 222304, 305228	35
LX570	2008-2011; 2013-2017	SUV	Lower	Front	29503, 305227	29504, 222304, 305227, 305228	36

Mitsubishi

Model	Year	Type	Position	Location	Removal Adapters	Installation Adapters	Page
Mighty Max	1983-1996	Truck	Upper	Front	531739, 538590	38355A, 554414	37
Raider	2006-2009	Truck	Lower	Front	555614	39976, 204508A	15

Plymouth

Model	Year	Type	Position	Location	Removal Adapters	Installation Adapters	Page
Grand Voyager	1991-2000	Van	Lower	Front	313968, 313969	38355A (or 29505 & 305227), 554414	9
Voyager	1991-2000	Van	Lower	Front	313968, 313969	38355A (or 29505 & 305227), 554414	9
Voyager	2001-2003	Van	Lower	Front	313968, 313969	29505, 305227, 554414	12

Toyota

Model	Year	Type	Position	Location	Removal Adapters	Installation Adapters	Page
Land Cruiser	1998-2007	SUV	Lower	Front	555614	38354, 222304, 305228	35
Land Cruiser	2008-2016	SUV	Lower	Front	29503, 305227	29504, 222304, 305227, 305228	36
Sequoia	2008-2013	SUV	Lower	Front	29503, 305227	29504, 222304, 305227, 305228	36
Tundra	2007-2017	Truck	Lower	Front	29503, 305227	29504, 222304, 305227, 305228	36

Explanation of Safety Signal Words



WARNING: Indicates a potentially hazardous situation which, if not avoided, could result in death or serious injury.



CAUTION: Indicates a potentially hazardous situation which, if not avoided, may result in minor or moderate injury.

CAUTION: Used without the safety alert symbol indicates a potentially hazardous situation which, if not avoided, may result in property damage.

Notes: Provide clarity and helpful information.

Safety Precautions



CAUTION: To prevent personal injury,



- Wear protective eyewear that meets the requirements of ANSI Z87.1 and OSHA.



- Before performing any repairs on a vehicle, block all wheels to prevent movement.
- Check the final alignment of tooling and components before using the C-frame press to exert pressure.

U-Joint Service

The C-frame included in this kit also may be used to service U-joints on most cars and light trucks – either on or off vehicle.

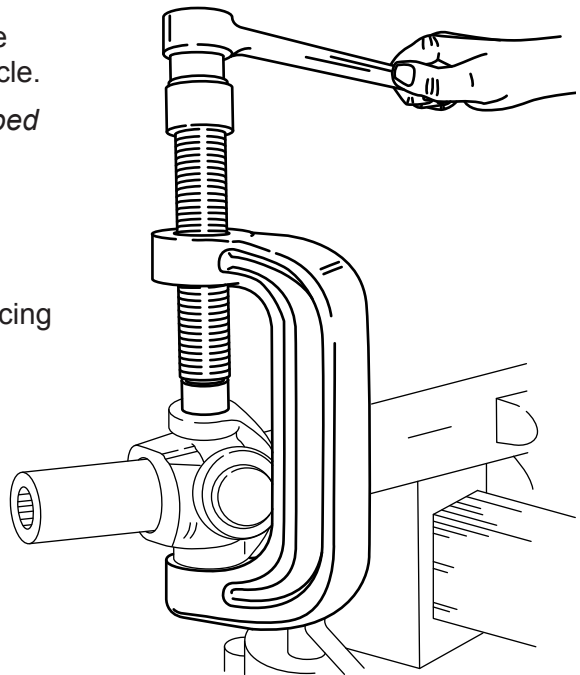
Note: This application uses the standard plug (29501) shipped with the forcing screw, not the 314392.

Disassembly

1. Remove external / internal lock rings.
2. Position C-frame around driveshaft yoke, and tighten forcing screw until first bearing is removed.
3. Position C-frame on second bearing, and tighten forcing screw until second bearing is removed.

Assembly

1. Clean dirt and oil from yoke area.
2. Align C-frame and new bearing as straight as possible over yoke.
3. Press new bearing into yoke, and install lock rings.
4. Position C-frame and second bearing as straight as possible over yoke.
5. Press new bearing into yoke, and install lock rings.



Ball Joint: Lower Front

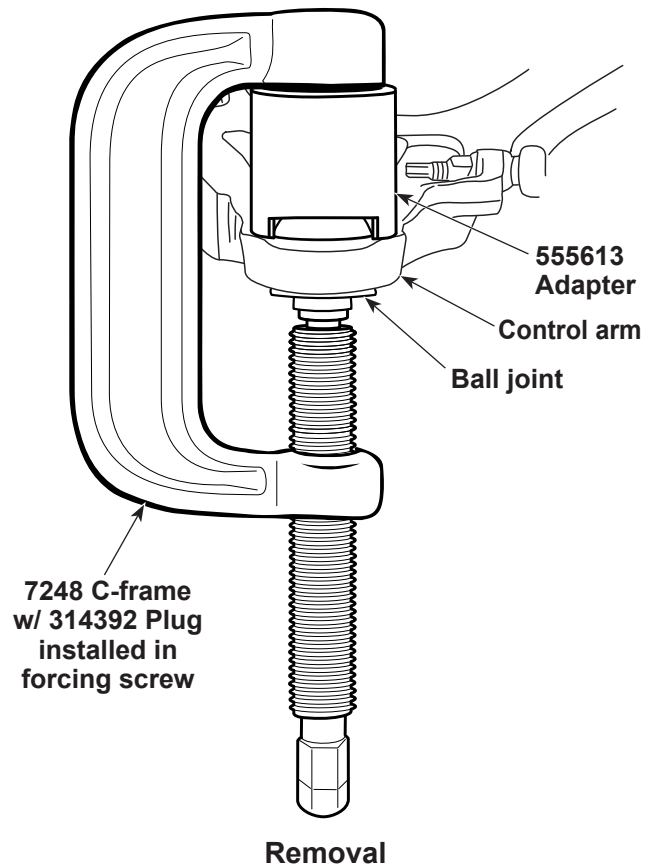
Application

Chrysler Aspen 2WD/4WD 2007-2009
Dodge Durango 2WD/4WD 2004-2009

Note: Remove live center plug from C-frame forcing screw; replace it with 314392 plug supplied with this kit.

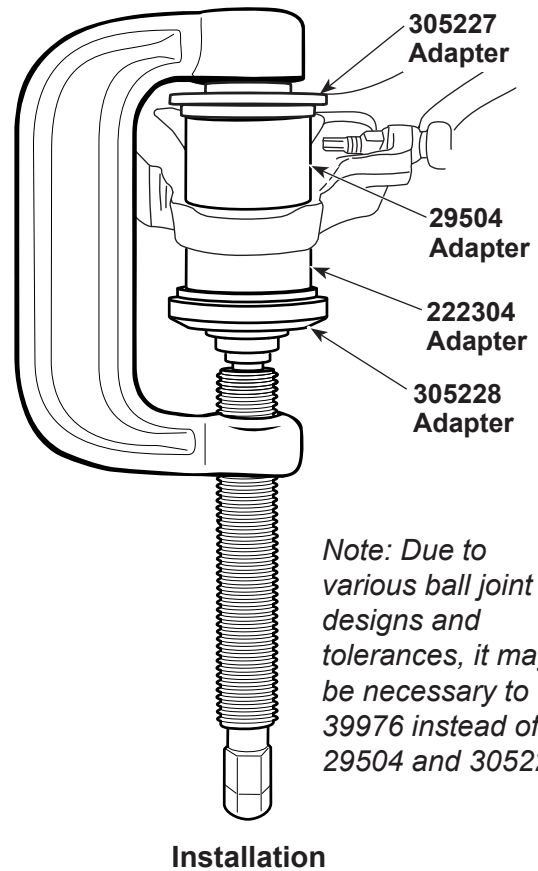
Removal

1. Remove dust boot.
2. Position components as shown.
3. Turn forcing screw until plug meets ball joint or adapter. Check alignment of all components.
4. Tighten forcing screw until ball joint is removed.



Installation

1. Clean ball joint bore in control arm.
2. Insert new ball joint as straight as possible into control arm.
3. Position components as shown.
4. Turn forcing screw until plug meets ball joint or adapter. Check alignment of all components.
5. Tighten forcing screw until ball joint is firmly seated.
6. Install dust boot.



Ball Joint: Lower Front

Application

Chrysler Grand Voyager 2000
Chrysler Town & Country 1991-2000
Chrysler Voyager 2000
Dodge Caravan 1991-2000
Dodge Grand Caravan 1991-2000
Plymouth Grand Voyager 1991-2000
Plymouth Voyager 1991-2000

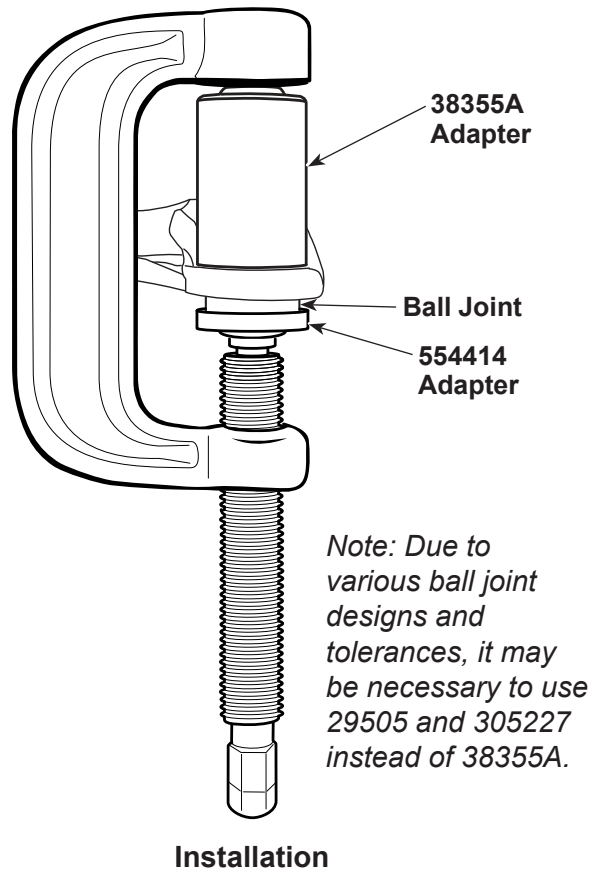
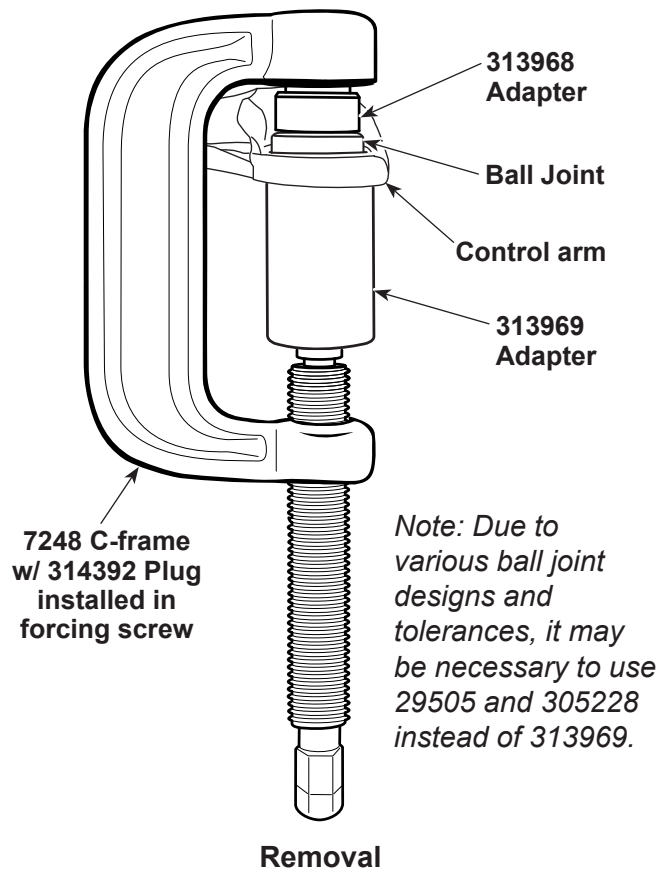
Note: Remove live center plug from C-frame forcing screw; replace it with 314392 plug supplied with this kit.

Removal

1. Remove dust boot.
2. Position components as shown.
3. Turn forcing screw until plug meets ball joint or adapter. Check alignment of all components.
4. Tighten forcing screw until ball joint is removed.

Installation

1. Clean ball joint bore in control arm.
2. Insert new ball joint as straight as possible into control arm.
3. Position components as shown.
4. Turn forcing screw until plug meets ball joint or adapter. Check alignment of all components.
5. Tighten forcing screw until ball joint is firmly seated.
6. Install dust boot.



Ball Joint: Lower Front

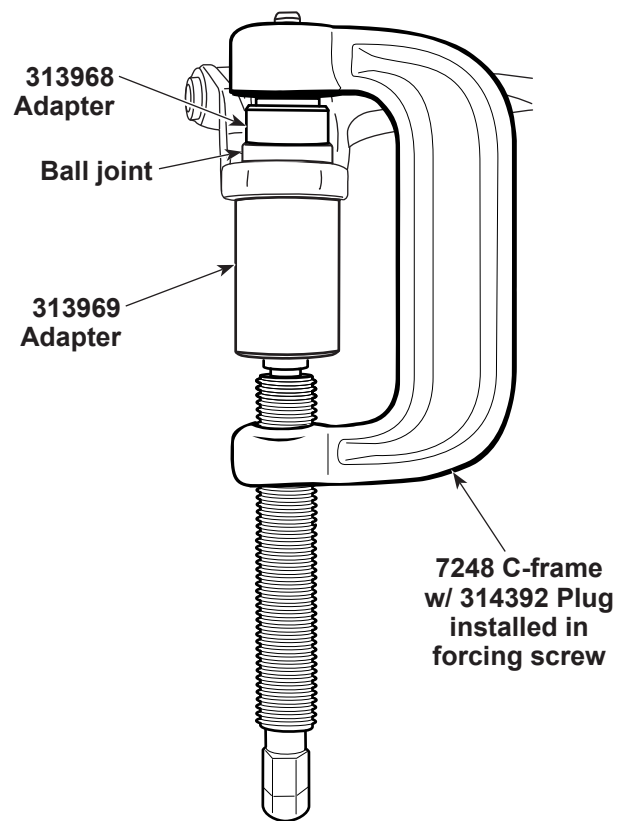
Application

Chrysler Pacifica FWD/AWD 2005-2008

Note: Remove live center plug from C-frame forcing screw; replace it with 314392 plug supplied with this kit.

Removal

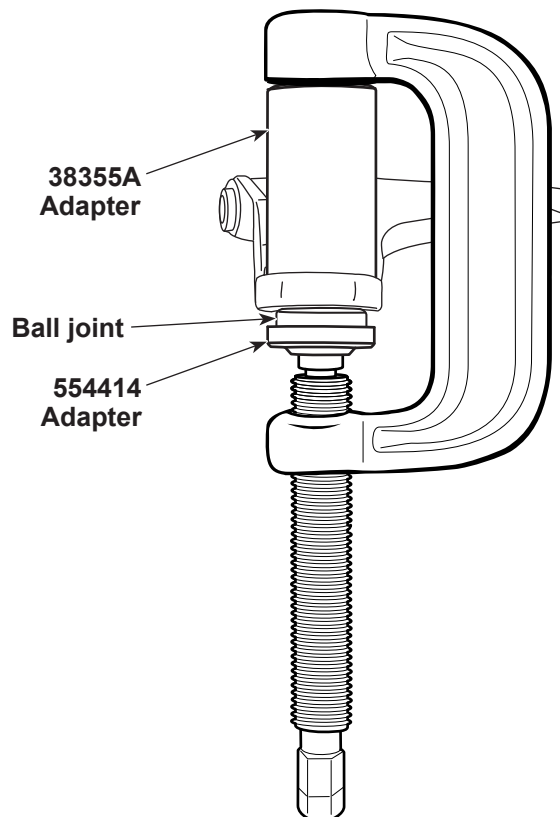
1. Remove dust boot.
2. Position components as shown.
3. Turn forcing screw until plug meets ball joint or adapter. Check alignment of all components.
4. Tighten forcing screw until ball joint is removed.



Removal

Installation

1. Clean ball joint bore in control arm.
2. Insert new ball joint as straight as possible into control arm.
3. Position components as shown.
4. Turn forcing screw until plug meets ball joint or adapter. Check alignment of all components.
5. Tighten forcing screw until ball joint is firmly seated.
6. Install dust boot.



Installation

Ball Joint: Lower Front

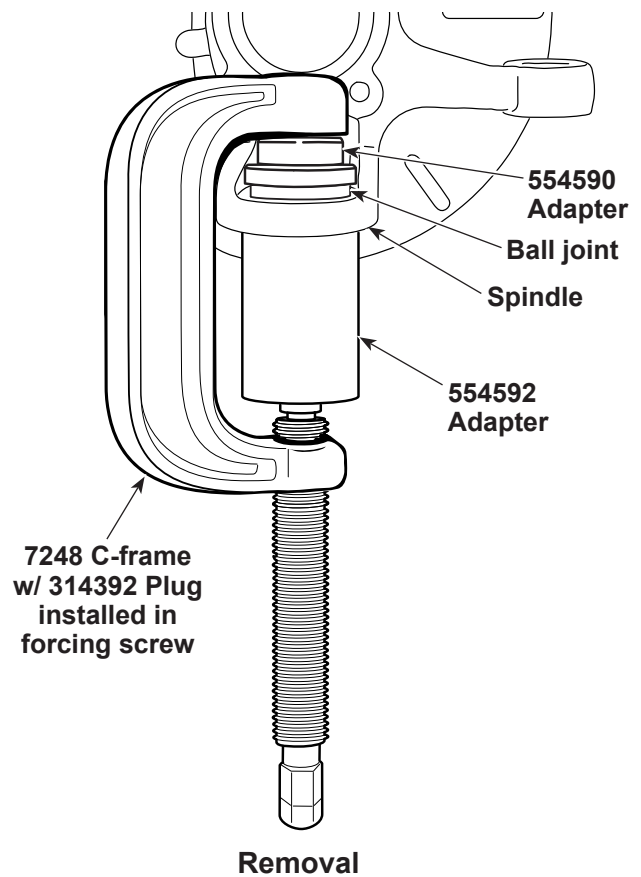
Application

Dodge Journey 2009-2017

Note: Remove live center plug from C-frame forcing screw; replace it with 314392 plug supplied with this kit.

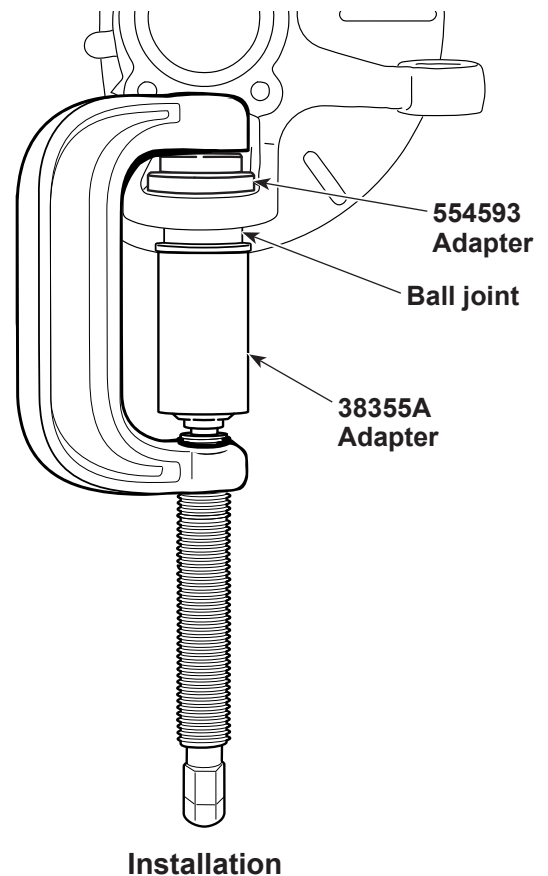
Removal

1. Remove dust boot.
2. Position components as shown.
3. Turn forcing screw until plug meets ball joint or adapter. Check alignment of all components.
4. Tighten forcing screw until ball joint is removed.



Installation

1. Clean ball joint bore in spindle.
2. Insert new ball joint as straight as possible into spindle.
3. Position components as shown.
4. Turn forcing screw until plug meets ball joint or adapter. Check alignment of all components.
5. Tighten forcing screw until ball joint is firmly seated.
6. Install dust boot.



Ball Joint: Lower Front

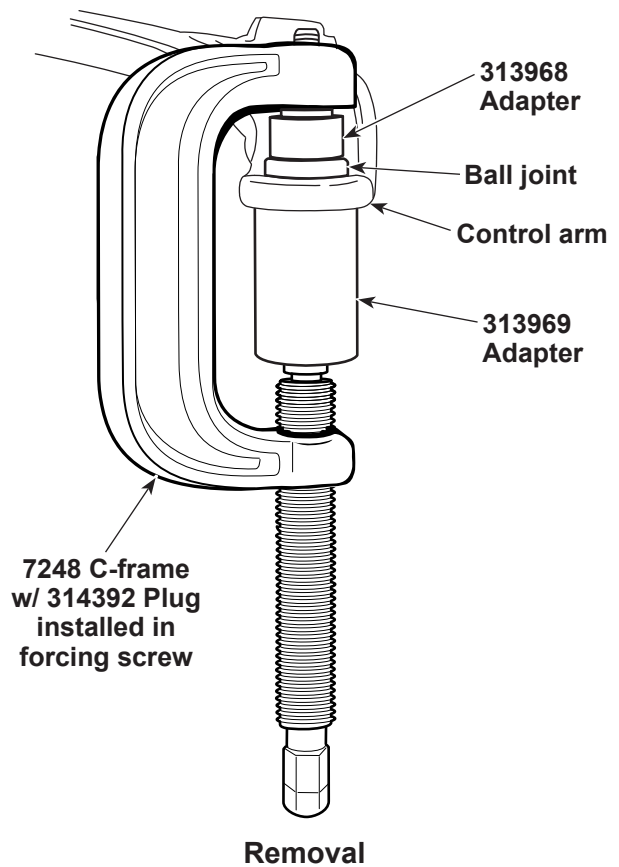
Application

Chrysler Town & Country 2001-2007
Dodge Caravan 2001-2007
Dodge Grand Caravan 2001-2007
Plymouth Voyager 2001-2003

Note: Remove live center plug from C-frame forcing screw; replace it with 314392 plug supplied with this kit.

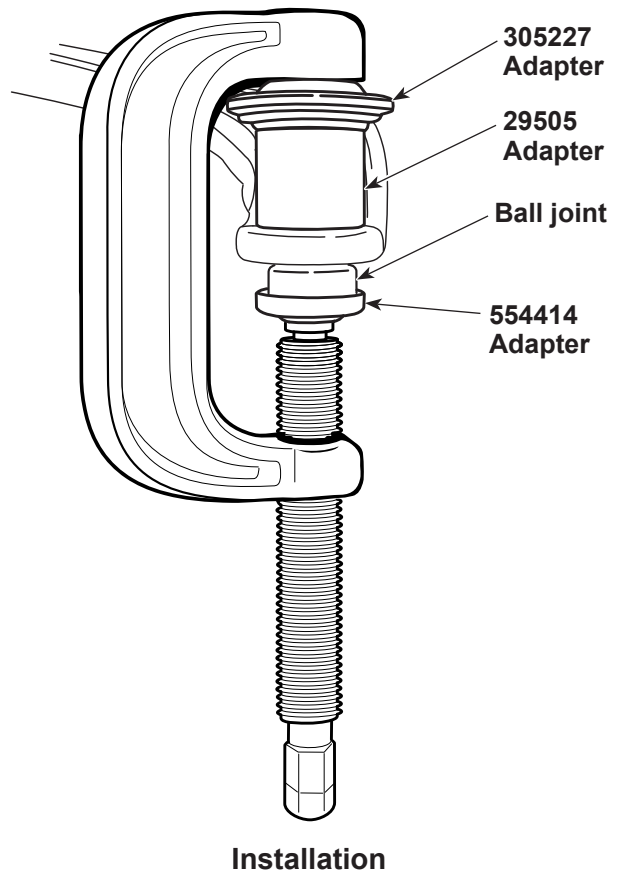
Removal

1. Remove dust boot.
2. Position components as shown.
3. Turn forcing screw until plug meets ball joint or adapter. Check alignment of all components.
4. Tighten forcing screw until ball joint is removed.



Installation

1. Clean ball joint bore in control arm.
2. Insert new ball joint as straight as possible into control arm.
3. Position components as shown.
4. Turn forcing screw until plug meets ball joint or adapter. Check alignment of all components.
5. Tighten forcing screw until ball joint is firmly seated.
6. Install dust boot.



Ball Joint: Lower Front

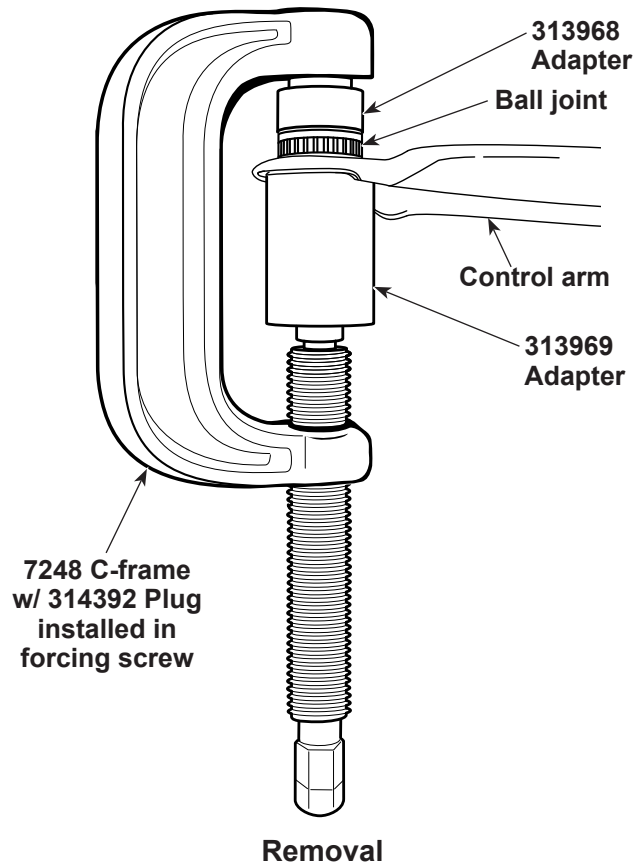
Application

Jeep Compass 2007-2016
Jeep Patriot 2007-2016

Note: Remove live center plug from C-frame forcing screw; replace it with 314392 plug supplied with this kit.

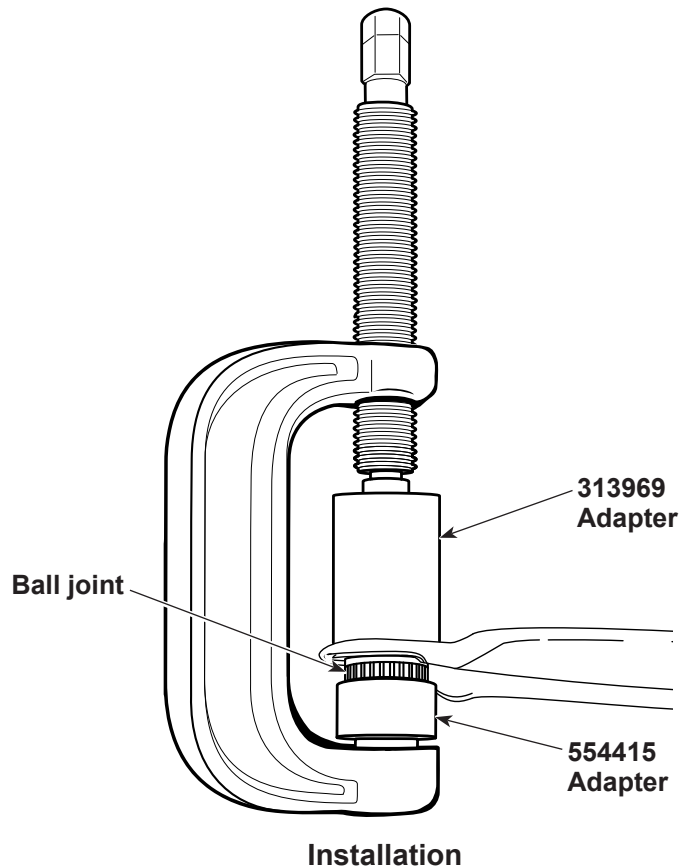
Removal

1. Remove dust boot.
2. Position components as shown.
3. Turn forcing screw until plug meets ball joint or adapter. Check alignment of all components.
4. Tighten forcing screw until ball joint is removed.



Installation

1. Clean ball joint bore in control arm.
2. Insert new ball joint as straight as possible into control arm.
3. Position components as shown.
4. Turn forcing screw until plug meets ball joint or adapter. Check alignment of all components.
5. Tighten forcing screw until ball joint is firmly seated.
6. Install dust boot.



Ball Joint: Lower Front

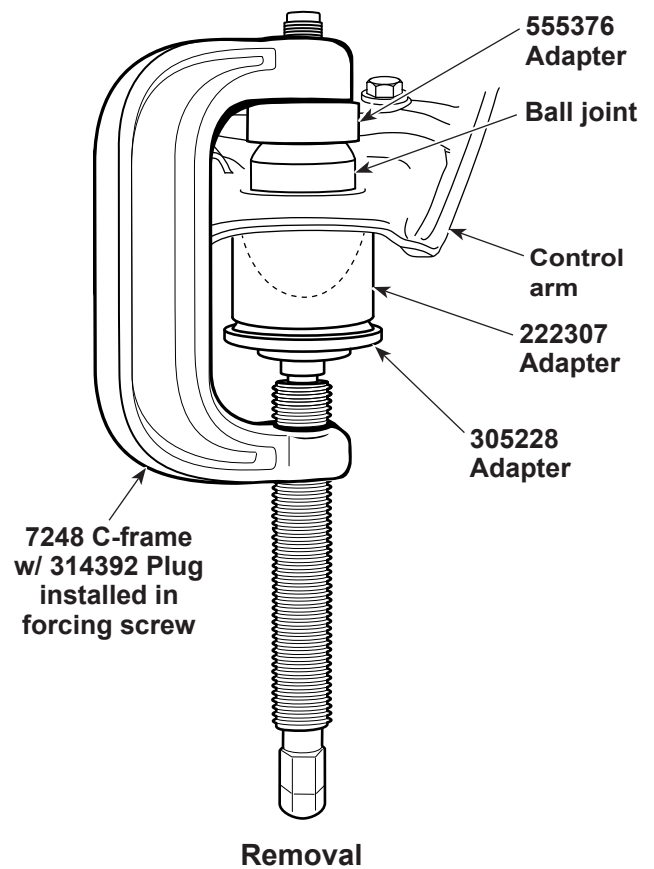
Application

Dodge Dakota 2WD 1987-1996
Dodge Ram Van 1500/2500 1995-2003
Dodge Ram Van 3500
w/ 3600 lb. axle 1995-2003
Dodge Ram Van B100/200/300
w/ standard suspension 1971-1980
Dodge Ram Van B150/250/350
w/ standard suspension 1981-1994

Note: Remove live center plug from C-frame forcing screw; replace it with 314392 plug supplied with this kit.

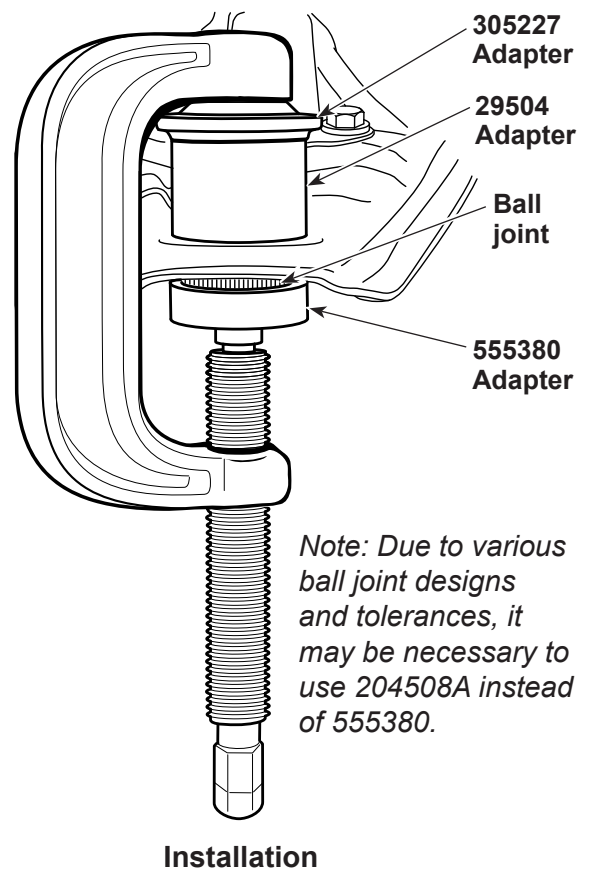
Removal

1. Remove dust boot.
2. Position components as shown.
3. Turn forcing screw until plug meets ball joint or adapter. Check alignment of all components.
4. Tighten forcing screw until ball joint is removed.



Installation

1. Clean ball joint bore in control arm.
2. Insert new ball joint as straight as possible into control arm.
3. Position components as shown.
4. Turn forcing screw until plug meets ball joint or adapter. Check alignment of all components.
5. Tighten forcing screw until ball joint is firmly seated.
6. Install dust boot.



Ball Joint: Lower Front

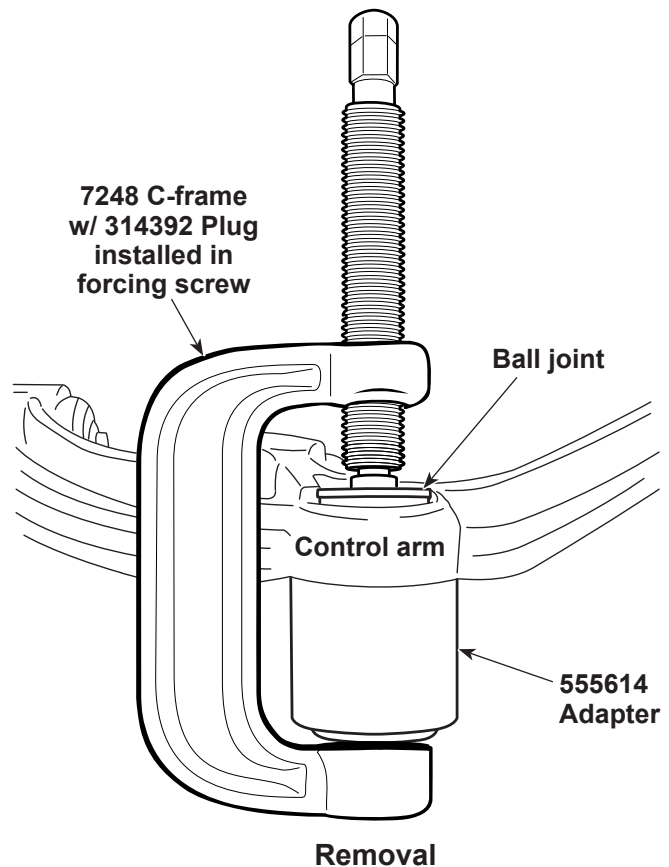
Application

Dodge Dakota 2WD/4WD 2005-2011
Mitsubishi Raider 2006-2009

Note: Remove live center plug from C-frame forcing screw; replace it with 314392 plug supplied with this kit.

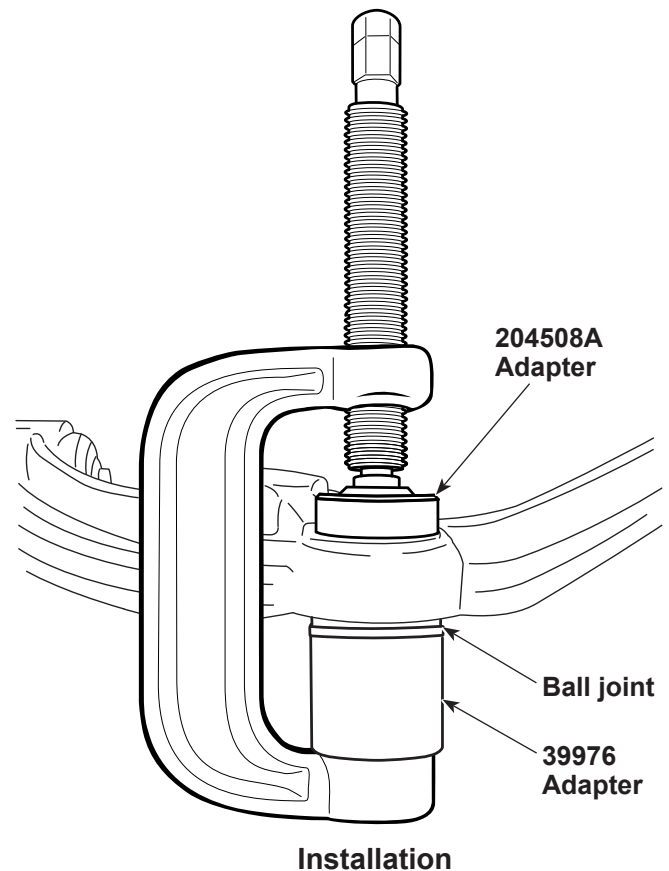
Removal

1. Remove dust boot.
2. Position components as shown.
3. Turn forcing screw until plug meets ball joint or adapter. Check alignment of all components.
4. Tighten forcing screw until ball joint is removed.



Installation

1. Clean ball joint bore in control arm.
2. Insert new ball joint as straight as possible into control arm.
3. Position components as shown.
4. Turn forcing screw until plug meets ball joint or adapter. Check alignment of all components.
5. Tighten forcing screw until ball joint is firmly seated.
6. Install dust boot.



Ball Joint: Lower Front

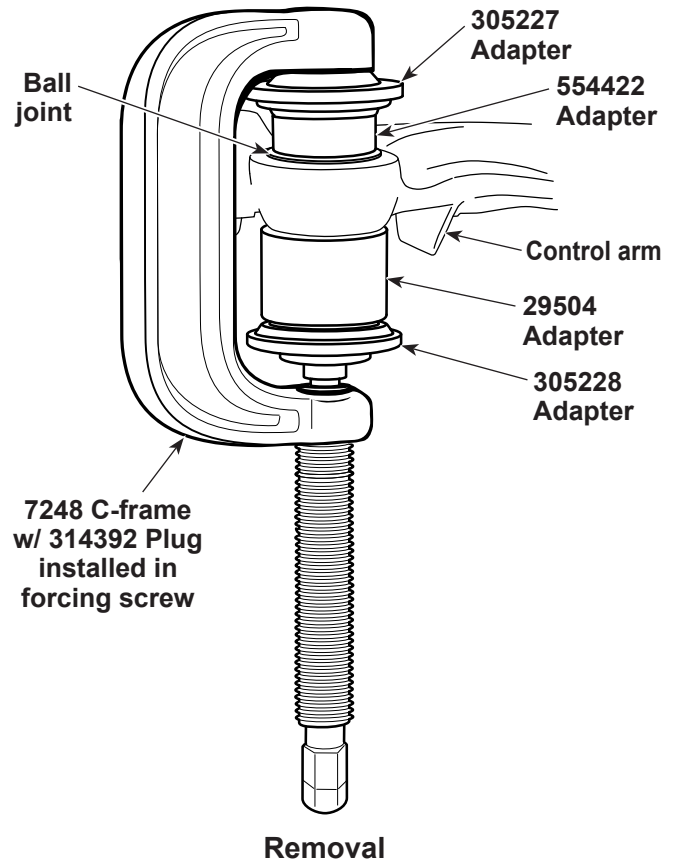
Application

Dodge Dakota 4WD 1987-1996

Note: Remove live center plug from C-frame forcing screw; replace it with 314392 plug supplied with this kit.

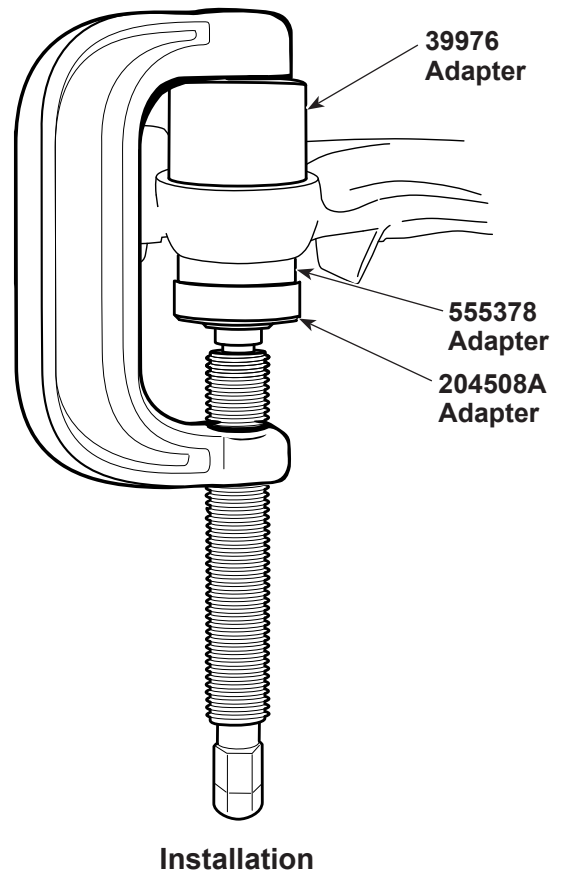
Removal

1. Remove dust boot.
2. Position components as shown.
3. Turn forcing screw until plug meets ball joint or adapter. Check alignment of all components.
4. Tighten forcing screw until ball joint is removed.



Installation

1. Clean ball joint bore in control arm.
2. Insert new ball joint as straight as possible into control arm.
3. Position components as shown.
4. Turn forcing screw until plug meets ball joint or adapter. Check alignment of all components.
5. Tighten forcing screw until ball joint is firmly seated.
6. Install dust boot.



Ball Joint: Lower Front

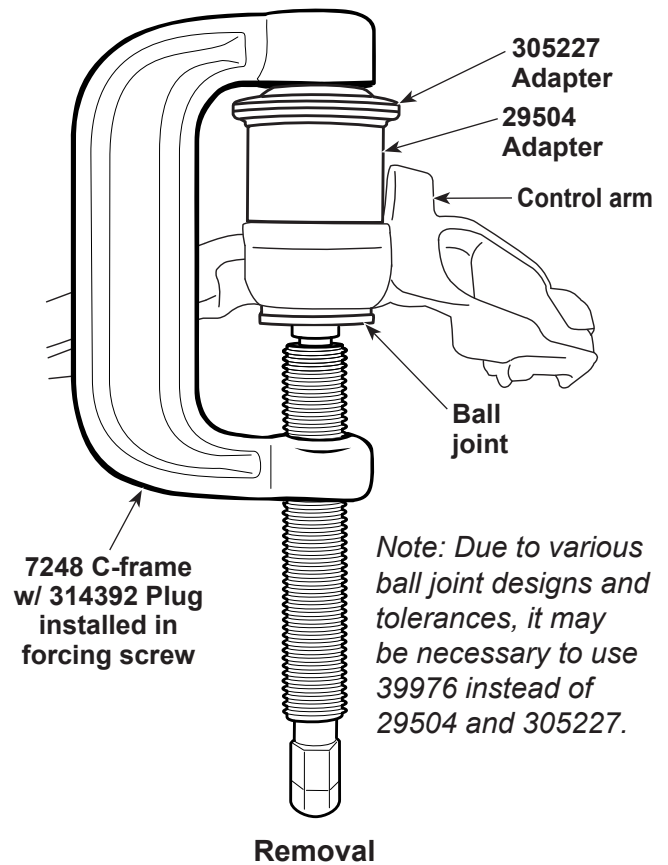
Application

Dodge Dakota 4WD 1997-2004
Dodge Durango 4WD 1998-2003

Note: Remove live center plug from C-frame forcing screw; replace it with 314392 plug supplied with this kit.

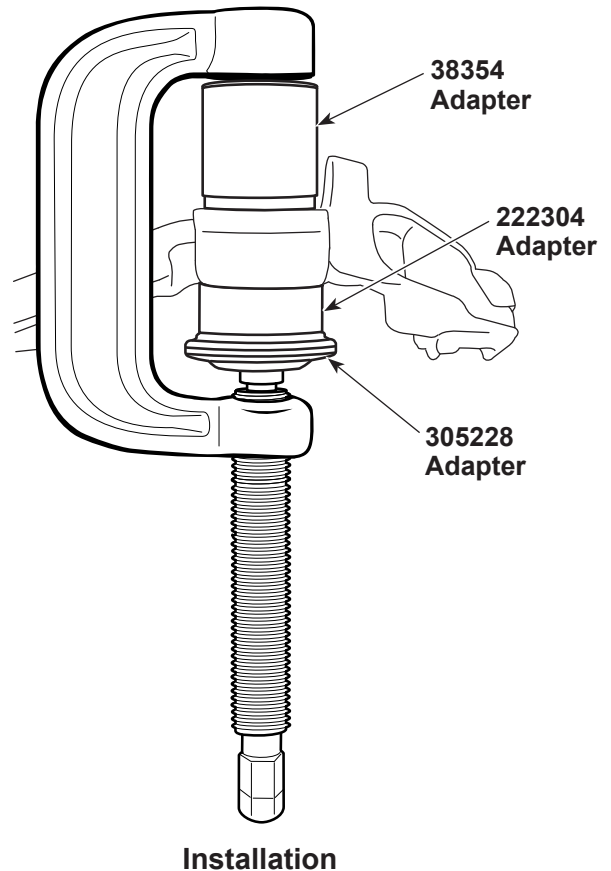
Removal

1. Remove dust boot.
2. Position components as shown.
3. Turn forcing screw until plug meets ball joint or adapter. Check alignment of all components.
4. Tighten forcing screw until ball joint is removed.



Installation

1. Clean ball joint bore in control arm.
2. Insert new ball joint as straight as possible into control arm.
3. Position components as shown.
4. Turn forcing screw until plug meets ball joint or adapter. Check alignment of all components.
5. Tighten forcing screw until ball joint is firmly seated.
6. Install dust boot.



Ball Joint: Lower Front

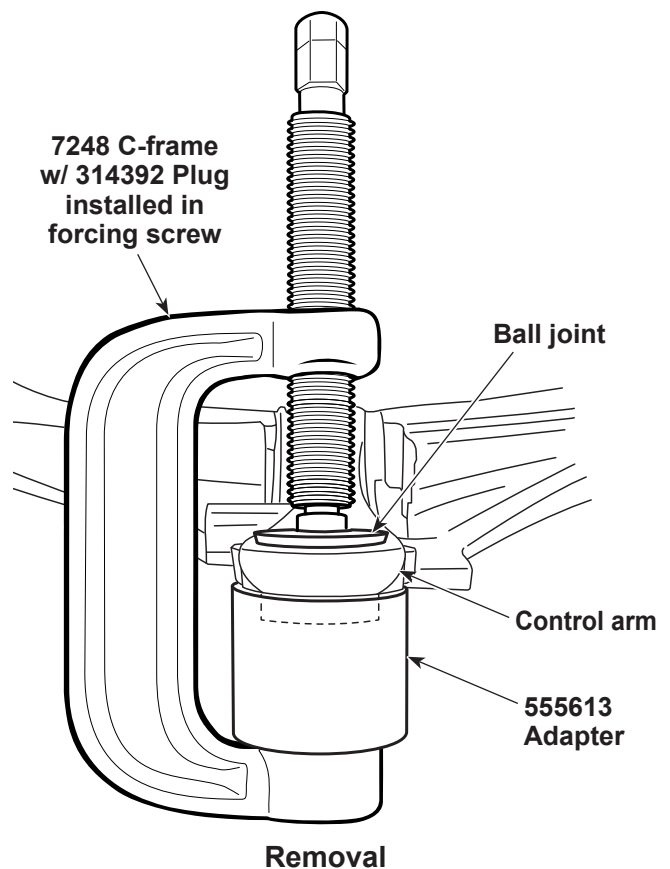
Application

Dodge Nitro 2WD/4WD 2007-2011
Jeep Commander 2WD/4WD 2006-2010
Jeep Grand Cherokee 2WD/4WD 2005-2011
Jeep Liberty 2WD/4WD 2008-2012

Note: Remove live center plug from C-frame forcing screw; replace it with 314392 plug supplied with this kit.

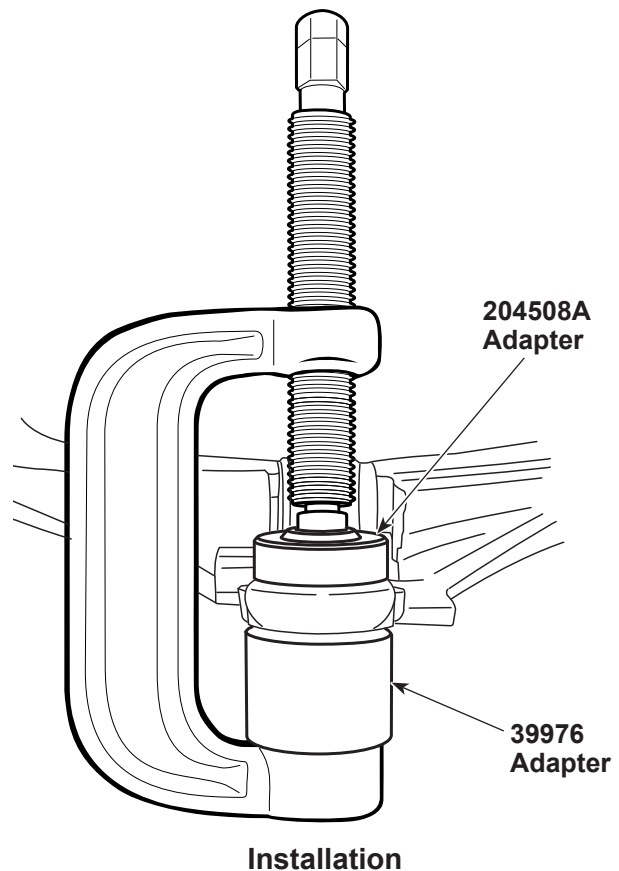
Removal

1. Remove dust boot.
2. Position components as shown.
3. Turn forcing screw until plug meets ball joint or adapter. Check alignment of all components.
4. Tighten forcing screw until ball joint is removed.



Installation

1. Clean ball joint bore in control arm.
2. Insert new ball joint as straight as possible into control arm.
3. Position components as shown.
4. Turn forcing screw until plug meets ball joint or adapter. Check alignment of all components.
5. Tighten forcing screw until ball joint is firmly seated.
6. Install dust boot.



Ball Joint: Lower Front

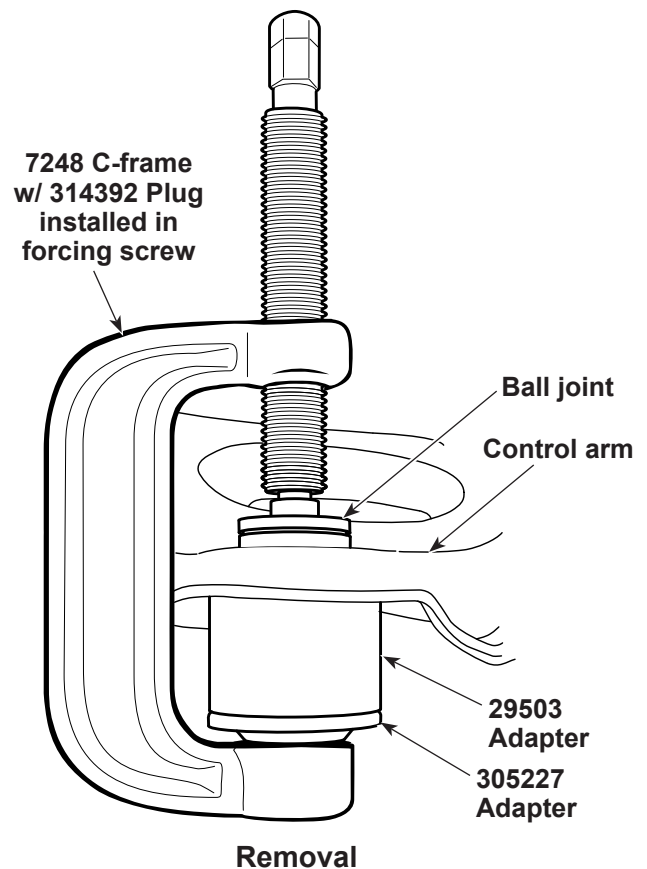
Application

- Dodge Ram 1500 2WD 1994-1999
- Dodge Ram 2500 2WD 1994-1999
- Dodge Ram 3500 2WD w/ IFS 1994-1999

Note: Remove live center plug from C-frame forcing screw; replace it with 314392 plug supplied with this kit.

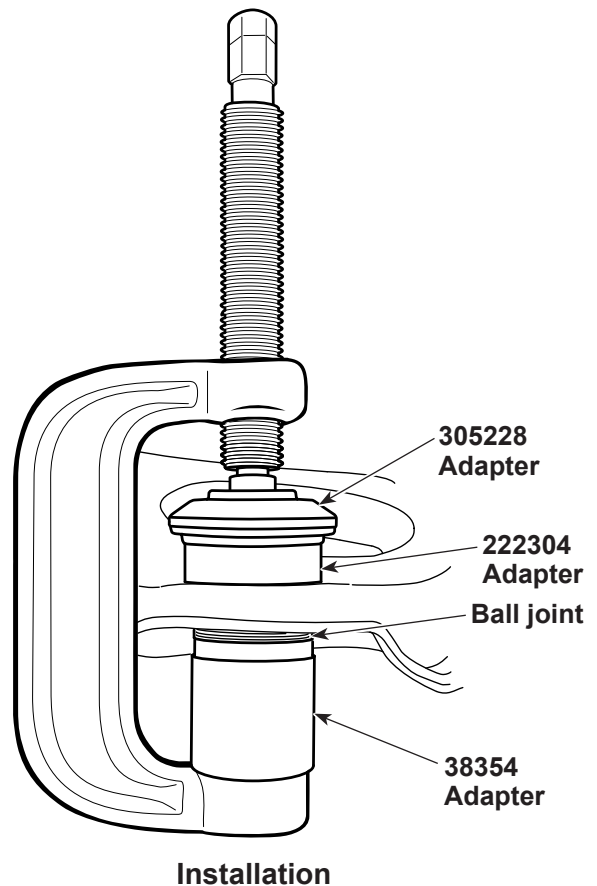
Removal

1. Remove dust boot.
2. Position components as shown.
3. Turn forcing screw until plug meets ball joint or adapter. Check alignment of all components.
4. Tighten forcing screw until ball joint is removed.



Installation

1. Clean ball joint bore in control arm.
2. Insert new ball joint as straight as possible into control arm.
3. Position components as shown.
4. Turn forcing screw until plug meets ball joint or adapter. Check alignment of all components.
5. Tighten forcing screw until ball joint is firmly seated.
6. Install dust boot.



Ball Joint: Upper Front

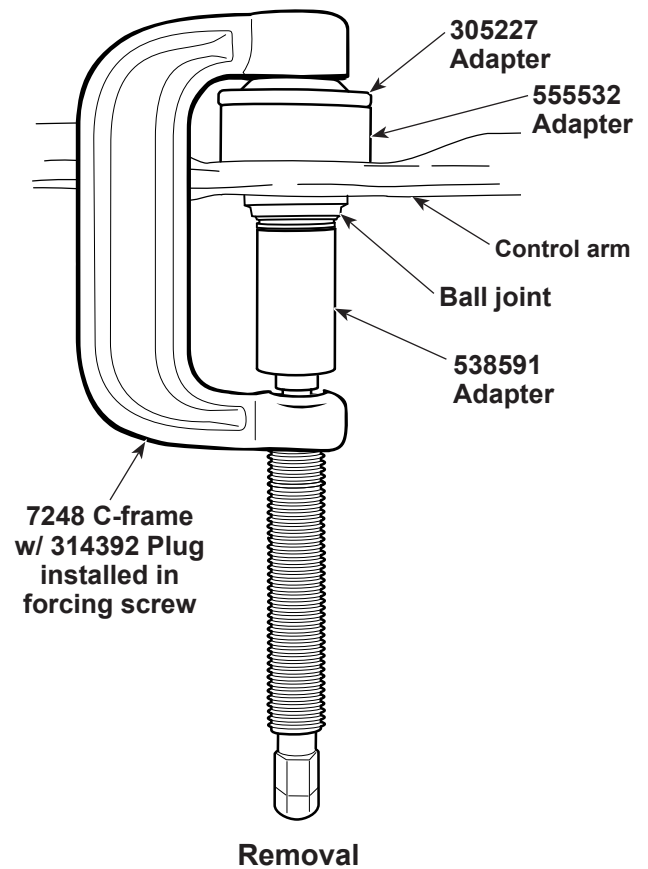
Application

- Dodge Ram 1500 2WD 1994-1999
- Dodge Ram 2500 2WD 1994-1999
- Dodge Ram 3500 2WD w/ IFS 1994-1999

Note: Remove live center plug from C-frame forcing screw; replace it with 314392 plug supplied with this kit.

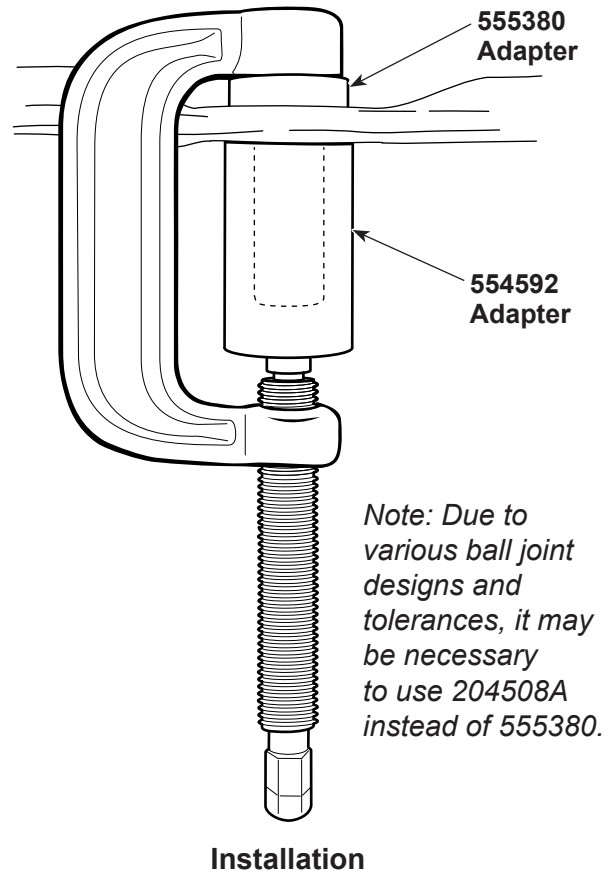
Removal

1. Remove dust boot.
2. Position components as shown.
3. Turn forcing screw until plug meets ball joint or adapter. Check alignment of all components.
4. Tighten forcing screw until ball joint is removed.



Installation

1. Clean ball joint bore in control arm.
2. Insert new ball joint as straight as possible into control arm.
3. Position components as shown.
4. Turn forcing screw until plug meets ball joint or adapter. Check alignment of all components.
5. Tighten forcing screw until ball joint is firmly seated.
6. Install dust boot.



Ball Joint: Lower Front

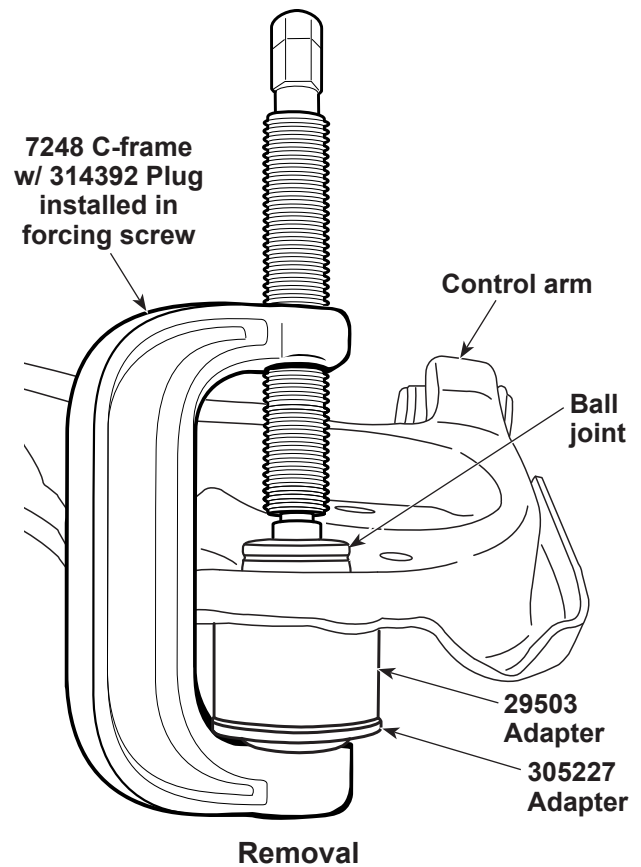
Application

Dodge Ram 1500 2WD 1997-1999

Note: Remove live center plug from C-frame forcing screw; replace it with 314392 plug supplied with this kit.

Removal

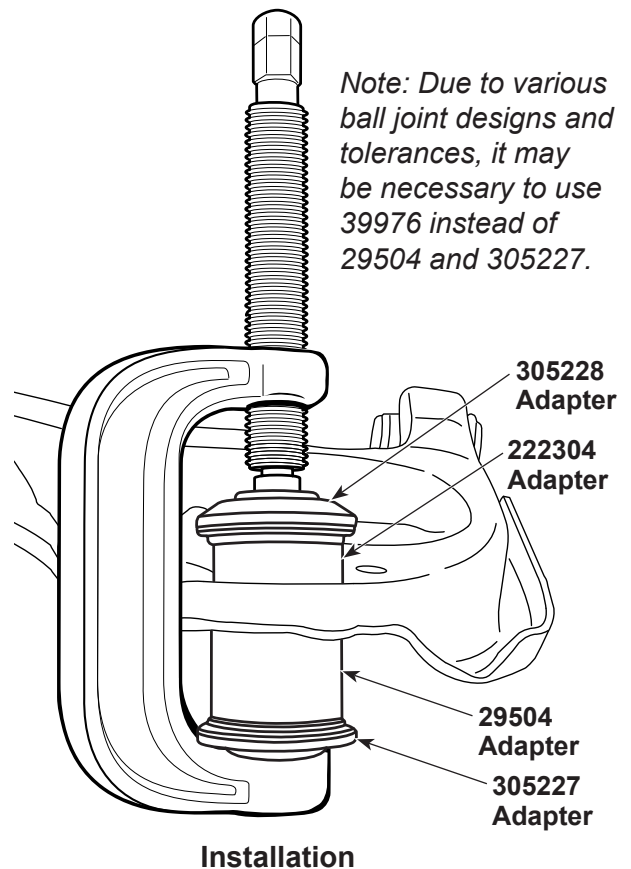
1. Remove dust boot.
2. Position components as shown.
3. Turn forcing screw until plug meets ball joint or adapter. Check alignment of all components.
4. Tighten forcing screw until ball joint is removed.



Installation

1. Clean ball joint bore in control arm.
2. Insert new ball joint as straight as possible into control arm.
3. Position components as shown.
4. Turn forcing screw until plug meets ball joint or adapter. Check alignment of all components.
5. Tighten forcing screw until ball joint is firmly seated.
6. Install dust boot.

Note: Due to various ball joint designs and tolerances, it may be necessary to use 39976 instead of 29504 and 305227.



Ball Joint: Lower Front

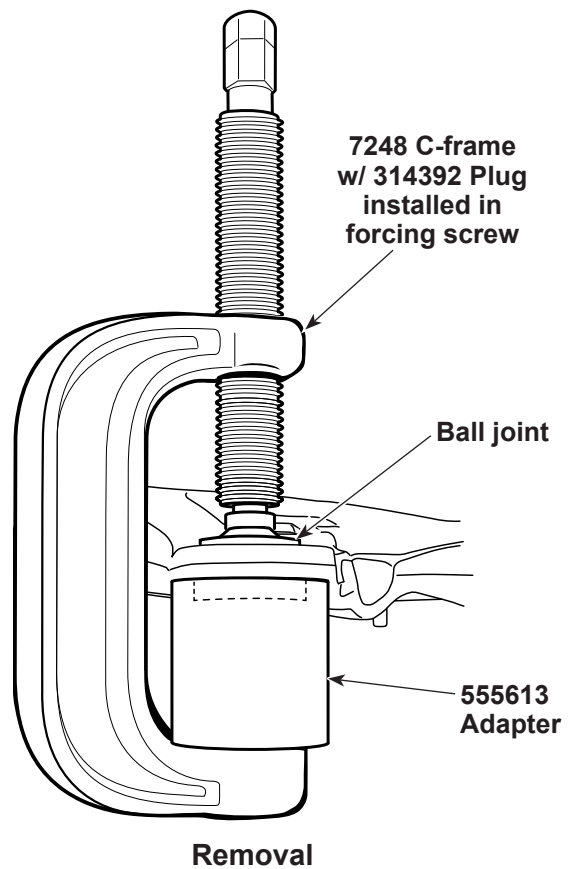
Application

Dodge Ram 1500 2WD/4WD 2002-2012
Dodge Ram 1500 Mega Cab Light Duty 2006-2008

Note: Remove live center plug from C-frame forcing screw; replace it with 314392 plug supplied with this kit.

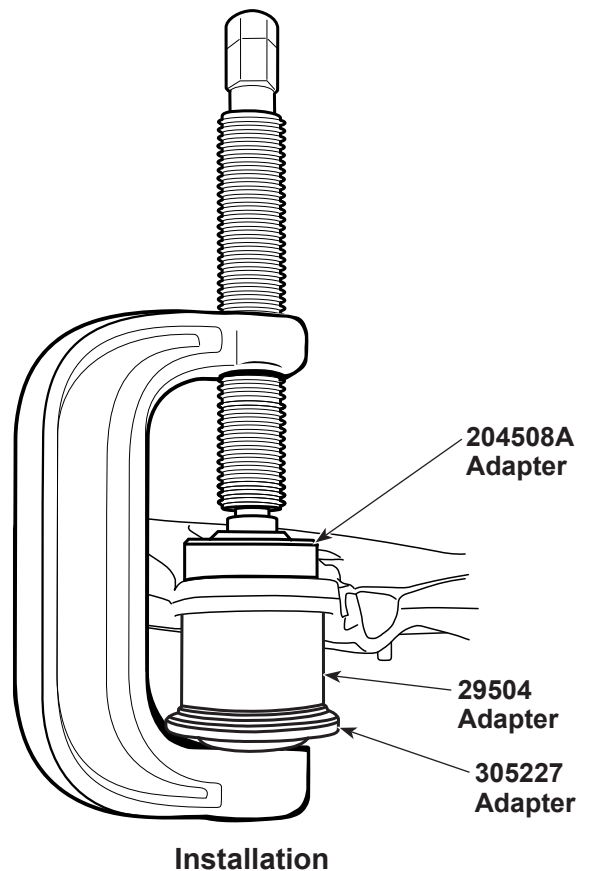
Removal

1. Remove dust boot.
2. Position components as shown.
3. Turn forcing screw until plug meets ball joint or adapter. Check alignment of all components.
4. Tighten forcing screw until ball joint is removed.



Installation

1. Clean ball joint bore in control arm.
2. Insert new ball joint as straight as possible into control arm.
3. Position components as shown.
4. Turn forcing screw until plug meets ball joint or adapter. Check alignment of all components.
5. Tighten forcing screw until ball joint is firmly seated.
6. Install dust boot.



Ball Joint: Upper Front w/ conventional steering

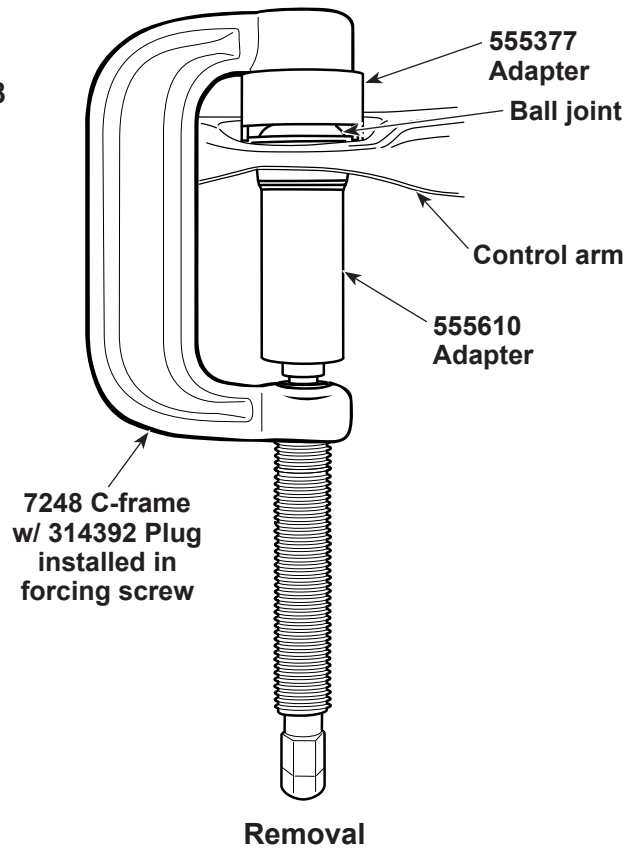
Application

- Dodge Ram 1500 Mega Cab 2WD/4WD 2006-2008
- Dodge Ram 2500 Mega Cab 2006-2010
- Dodge Ram 2500 Heavy Duty 2003-2017
- Dodge Ram 3500 2003-2017
- Dodge Ram 3500 Mega Cab 2006-2010
- Dodge Ram 3500 Heavy Duty 2006-2017

Note: Remove live center plug from C-frame forcing screw; replace it with 314392 plug supplied with this kit.

Removal

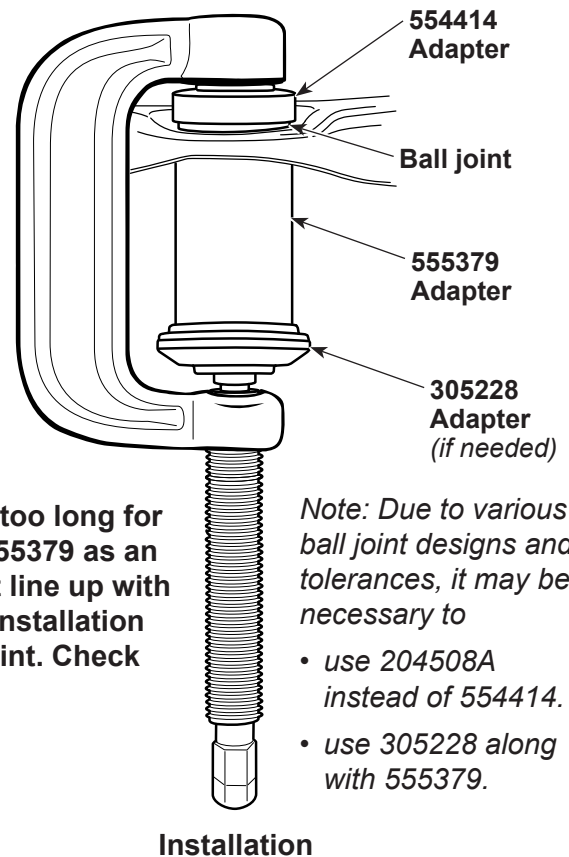
1. Remove dust boot.
2. Position components as shown.
3. Turn forcing screw until plug meets ball joint or adapter. Check alignment of all components.
4. Tighten forcing screw until ball joint is removed.



Installation

1. Clean ball joint bore in control arm.
2. Insert new ball joint as straight as possible into control arm.
3. Position components as shown.
4. Turn forcing screw until plug meets ball joint or adapter. Check alignment of all components.
5. Tighten forcing screw until ball joint is firmly seated.
6. Install dust boot.

CAUTION: If ball joint shank is too long for 555379, use 305228 at end of 555379 as an extension. Ball joint shaft must line up with hole in 555379 adapter during installation or damage may occur to ball joint. Check periodically during installation.



Note: Due to various ball joint designs and tolerances, it may be necessary to

- use 204508A instead of 554414.
- use 305228 along with 555379.

Ball Joint: Lower Front

Application

Dodge Ram 1500 4WD 1994-1999
Dodge Ram 1500 4WD w/ 216 FBI axle 2000-2001
Dodge Ram 1500 4WD w/ 248 FBI axle 2000-2001
Dodge Ram 2500 4WD w/ Dana 44 axle 1996-1999
Jeep Cherokee 1984-2001
Jeep Cherokee (RHD) 1996-1998
Jeep Grand Cherokee 1993-2004
Jeep Grand Wagoneer 1993-1994
Jeep TJ 1997-2006
Jeep Wrangler 1987-2015

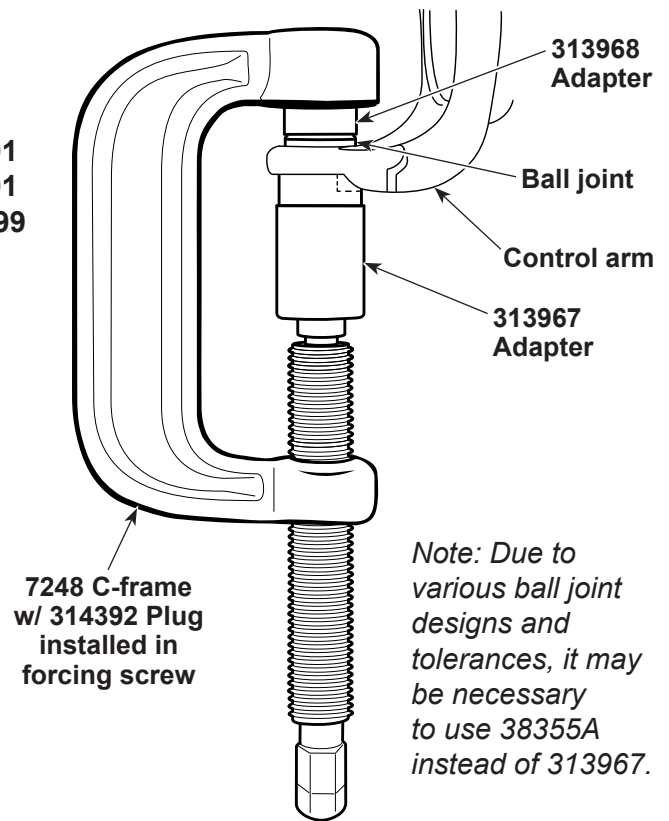
Note: Remove live center plug from C-frame forcing screw; replace it with 314392 plug supplied with this kit.

Removal

1. Remove dust boot.
2. Position components as shown.
3. Turn forcing screw until plug meets ball joint or adapter. Check alignment of all components.
4. Tighten forcing screw until ball joint is removed.

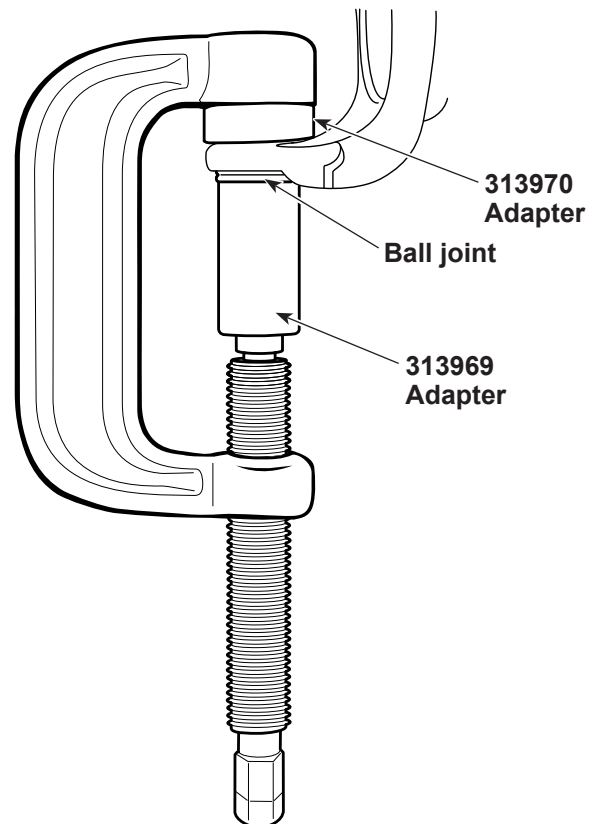
Installation

1. Clean ball joint bore in control arm.
2. Insert new ball joint as straight as possible into control arm.
3. Position components as shown.
4. Turn forcing screw until plug meets ball joint or adapter. Check alignment of all components.
5. Tighten forcing screw until ball joint is firmly seated.
6. Install dust boot.



Note: Due to various ball joint designs and tolerances, it may be necessary to use 38355A instead of 313967.

Removal



Installation

Ball Joint: Upper Front

Application

- Dodge Ram 1500 4WD 1994-2001
- Dodge Ram 1500 4WD w/ 216 FBI axle 2000-2001
- Dodge Ram 1500 4WD w/ 248 FBI axle 2000-2001
- Dodge Ram 2500 4WD w/ Dana 44 axle 1994-1996
- Jeep Cherokee 1984-2001
- Jeep Cherokee (RHD) 1996-1998
- Jeep Grand Cherokee 1993-2004
- Jeep TJ 1997-2006
- Jeep Wrangler 1987-2015

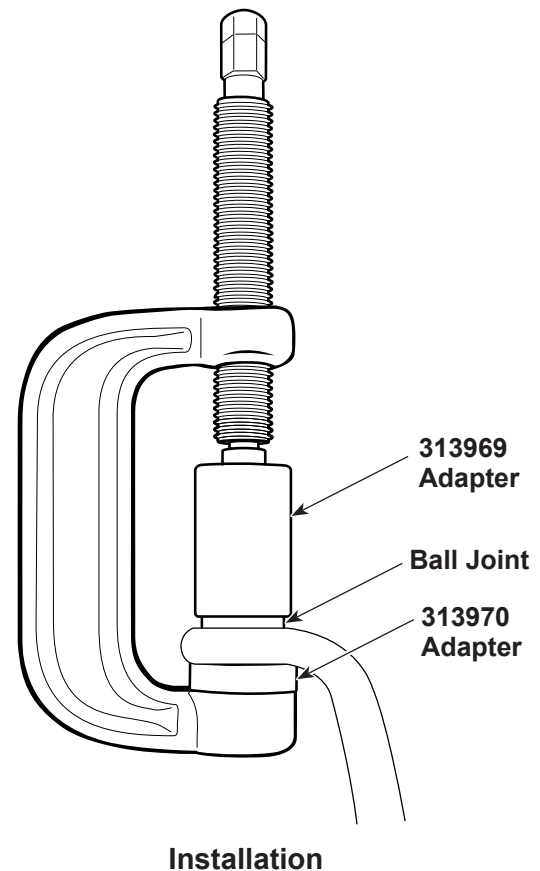
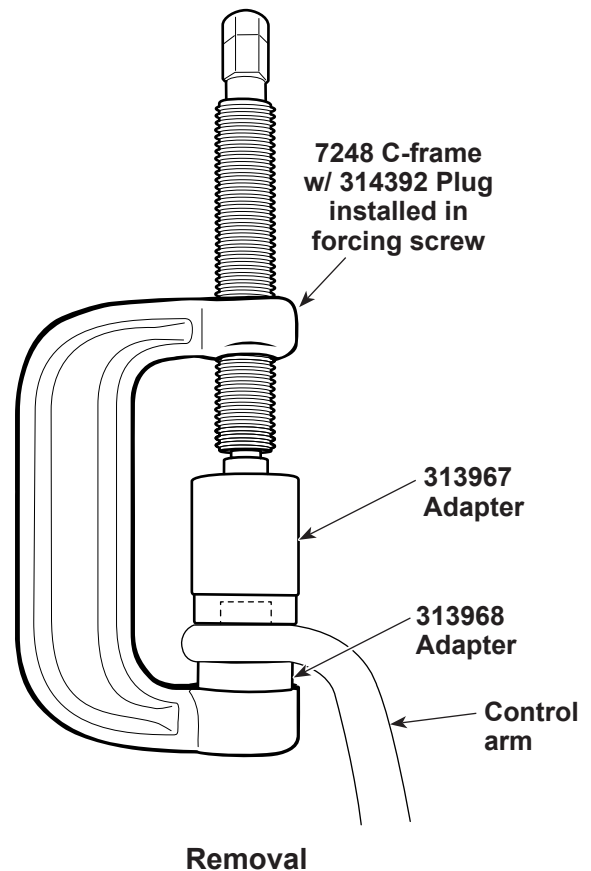
Note: Remove live center plug from C-frame forcing screw; replace it with 314392 plug supplied with this kit.

Removal

1. Remove dust boot.
2. Position components as shown.
3. Turn forcing screw until plug meets ball joint or adapter. Check alignment of all components.
4. Tighten forcing screw until ball joint is removed.

Installation

1. Clean ball joint bore in control arm.
2. Insert new ball joint as straight as possible into control arm.
3. Position components as shown.
4. Turn forcing screw until plug meets ball joint or adapter. Check alignment of all components.
5. Tighten forcing screw until ball joint is firmly seated.
6. Install dust boot.



Ball Joint: Lower Front

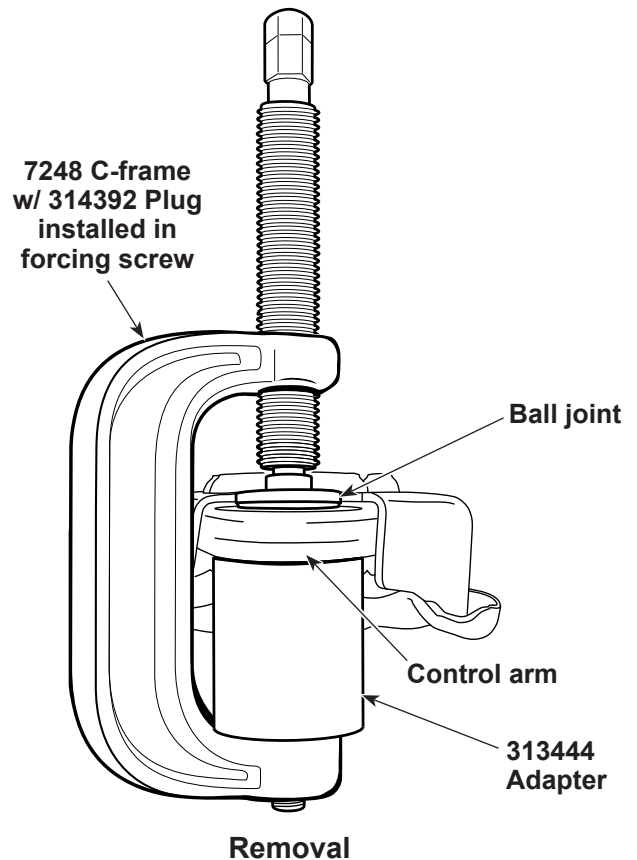
Application

- Dodge Ram 1500 Mega Cab 2006-2008
- Dodge Ram 2500 2003-2013
- Dodge Ram 2500 Mega Cab 2006-2010
- Dodge Ram 3500 2003-2013

Note: Remove live center plug from C-frame forcing screw; replace it with 314392 plug supplied with this kit.

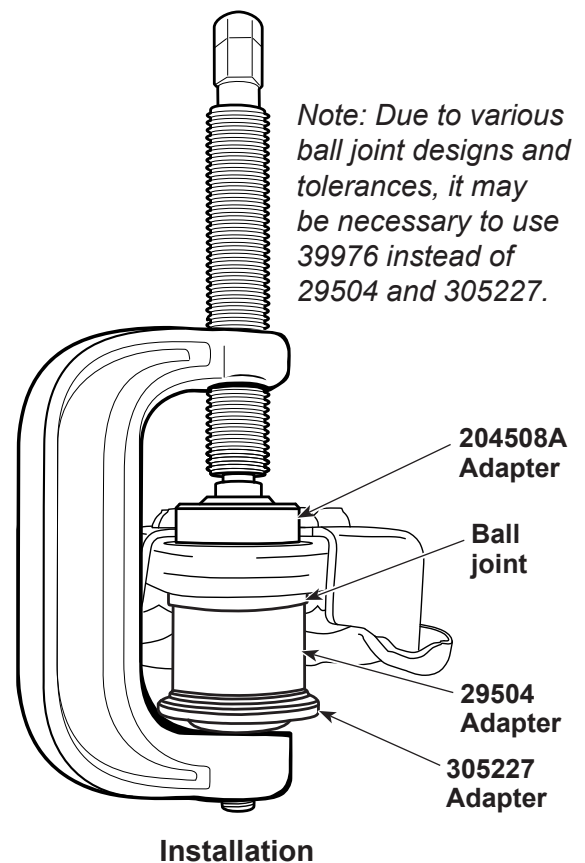
Removal

1. Remove dust boot.
2. Position components as shown.
3. Turn forcing screw until plug meets ball joint or adapter. Check alignment of all components.
4. Tighten forcing screw until ball joint is removed.



Installation

1. Clean ball joint bore in control arm.
2. Insert new ball joint as straight as possible into control arm.
3. Position components as shown.
4. Turn forcing screw until plug meets ball joint or adapter. Check alignment of all components.
5. Tighten forcing screw until ball joint is firmly seated.
6. Install dust boot.



Ball Joint: Lower Front

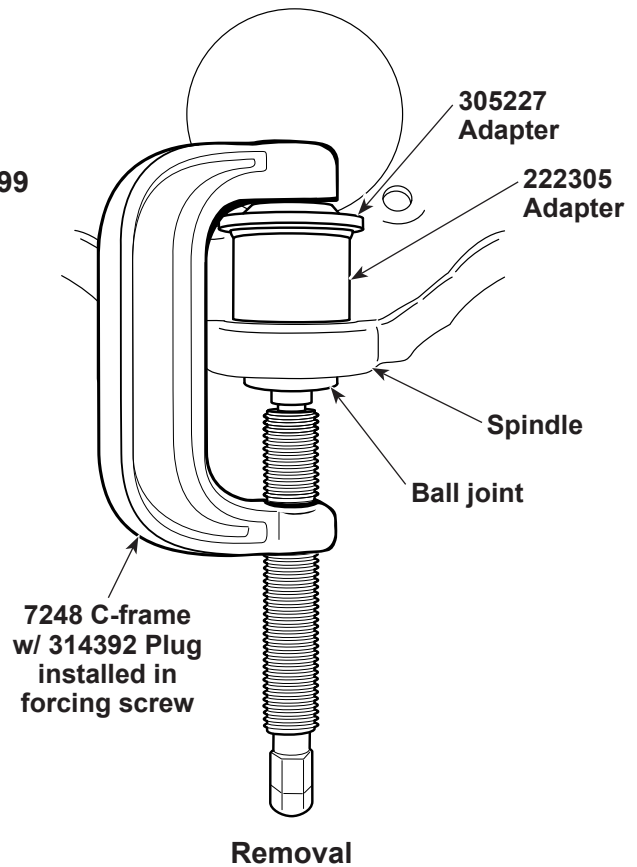
Application

- Dodge Ram 2500 4WD w/ Dana 60 axle 1994-1999
- Dodge Ram 3500 4WD 1996-1999
- Dodge Ram 3500 4WD w/ solid front axle 1994-1999

Note: Remove live center plug from C-frame forcing screw; replace it with 314392 plug supplied with this kit.

Removal

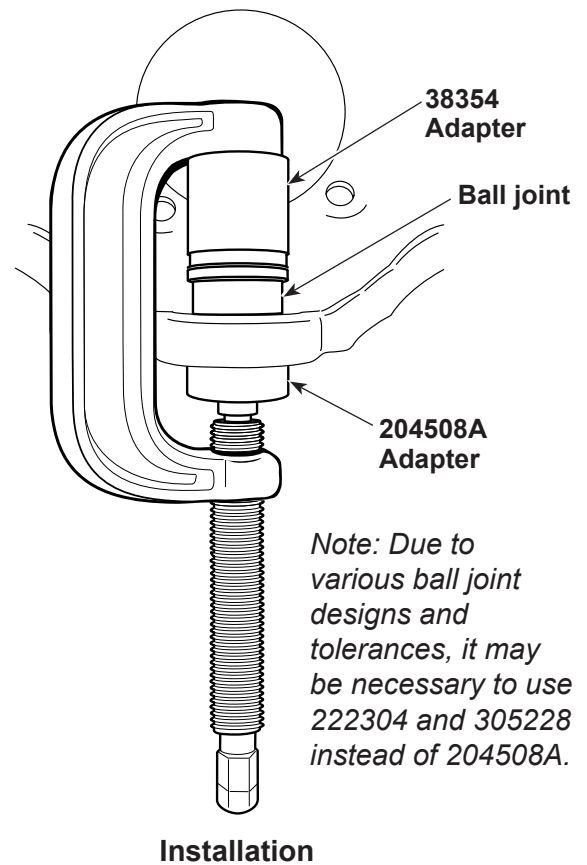
1. Remove dust boot.
2. Position components as shown.
3. Turn forcing screw until plug meets ball joint or adapter. Check alignment of all components.
4. Tighten forcing screw until ball joint is removed.



Installation

Note: If replacing both upper and lower ball joints at the same time, remove and install upper ball joint before installing lower ball joint.

1. Clean ball joint bore in spindle.
2. Insert new ball joint as straight as possible into spindle.
3. Position components as shown.
4. Turn forcing screw until plug meets ball joint or adapter. Check alignment of all components.
5. Tighten forcing screw until ball joint is firmly seated.
6. Install dust boot.



Ball Joint: Upper Front

Application

- Dodge Ram 2500 4WD w/ Dana 60 axle 1994-1999
- Dodge Ram 3500 4WD 1996-1999
- Dodge Ram 3500 4WD w/ solid front axle 1994-1999

Note: Remove live center plug from C-frame forcing screw; replace it with 314392 plug supplied with this kit.

Removal

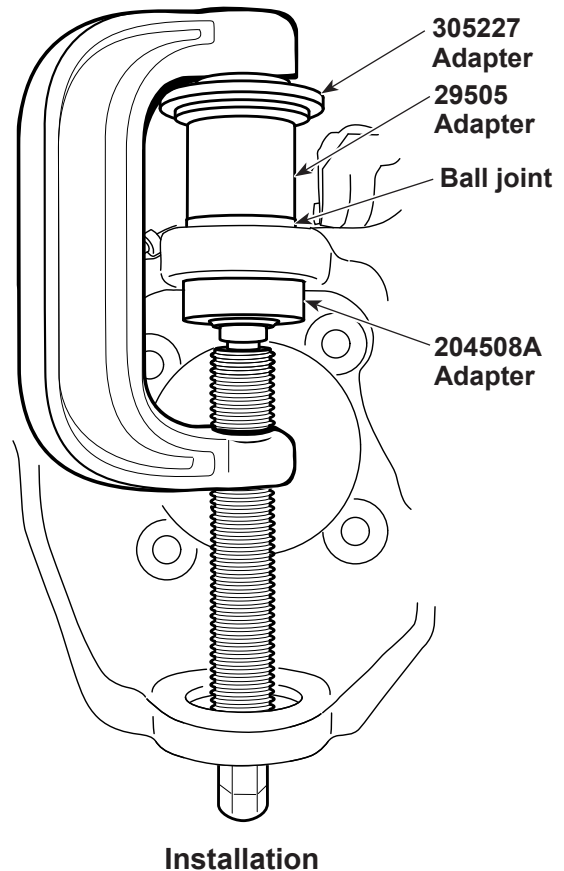
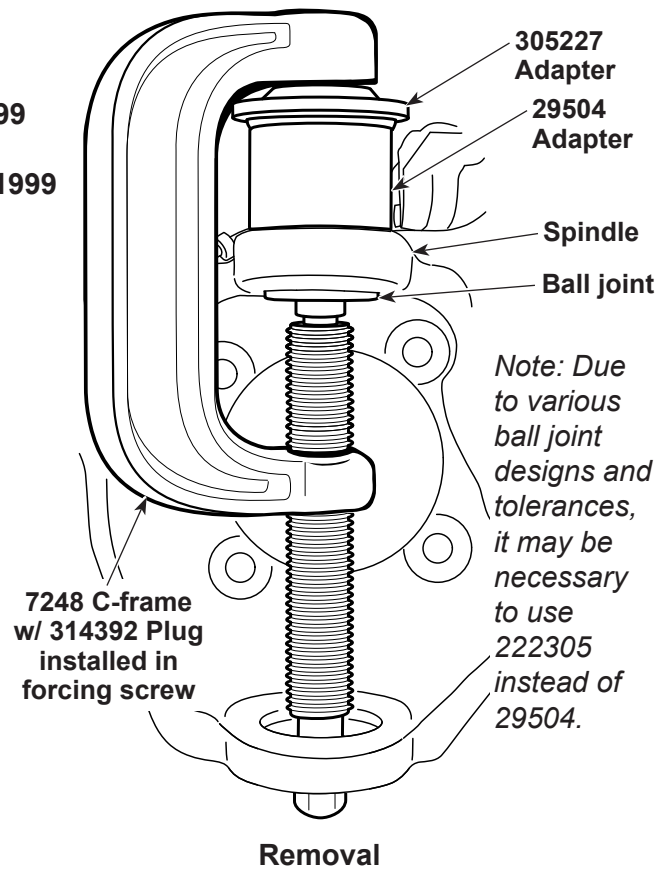
Note: Lower ball joint must be removed before upper ball joint can be serviced.

1. Remove dust boot.
2. Position components as shown.
3. Turn forcing screw until plug meets ball joint or adapter. Check alignment of all components.
4. Tighten forcing screw until ball joint is removed.

Installation

Note: If replacing both upper and lower ball joints at the same time, remove and install upper ball joint before installing lower ball joint.

1. Clean ball joint bore in spindle.
2. Insert new ball joint as straight as possible into spindle.
3. Position components as shown.
4. Turn forcing screw until plug meets ball joint or adapter. Check alignment of all components.
5. Tighten forcing screw until ball joint is firmly seated.
6. Install dust boot.



Ball Joint: Lower Front w/ rack & pinion steering

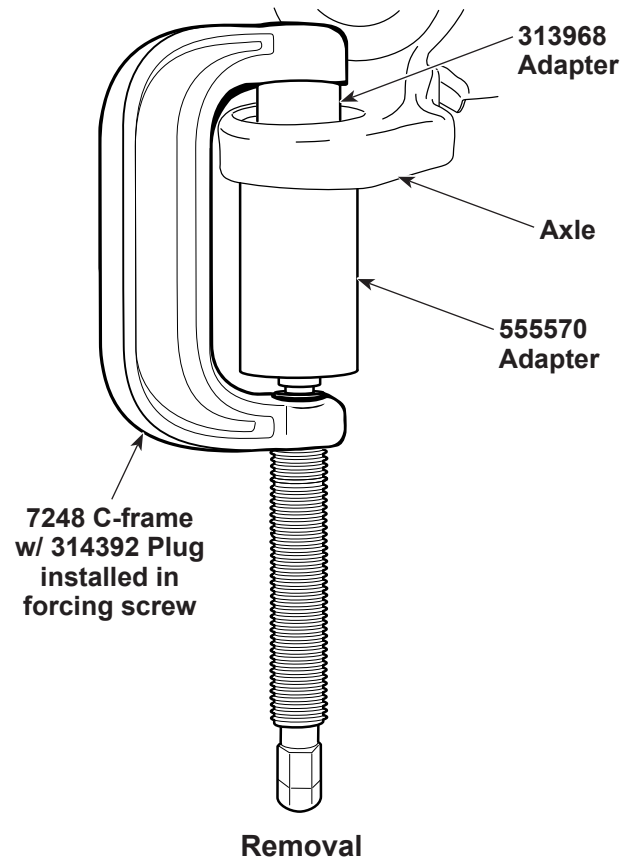
Application

Dodge Ram 1500 Mega Cab 2006-2008
Dodge Ram 2500 2003-2013
Dodge Ram 2500 Mega Cab 2003-2010
Dodge Ram 3500 2003-2012
Dodge Ram 3500 2WD
w/ solid front axle 2000-2002

Note: Remove live center plug from C-frame forcing screw; replace it with 314392 plug supplied with this kit.

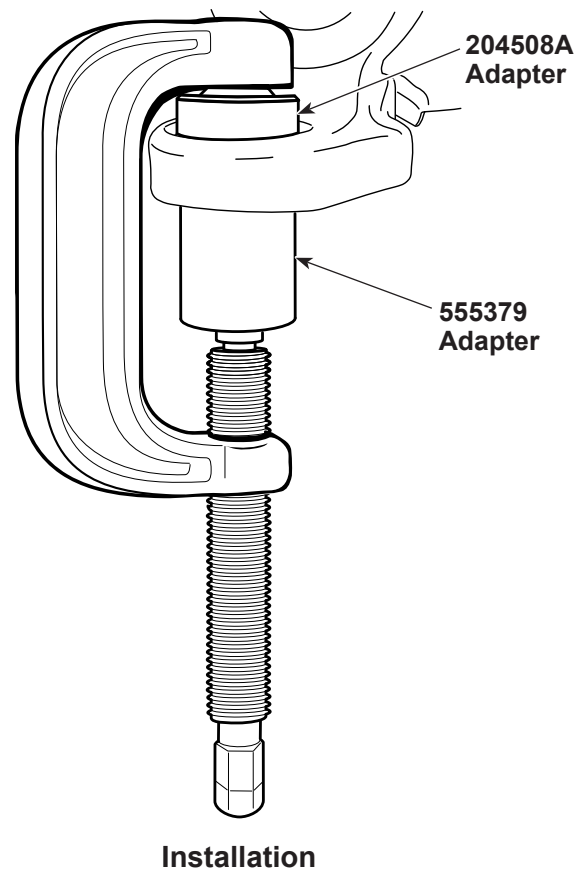
Removal

1. Remove dust boot.
2. Position components as shown.
3. Turn forcing screw until plug meets ball joint or adapter. Check alignment of all components.
4. Tighten forcing screw until ball joint is removed.



Installation

1. Clean ball joint bore in axle.
2. Insert new ball joint as straight as possible into axle.
3. Position components as shown.
4. Turn forcing screw until plug meets ball joint or adapter. Check alignment of all components.
5. Tighten forcing screw until ball joint is firmly seated.
6. Install dust boot.



Ball Joint: Upper Front w/ rack & pinion steering

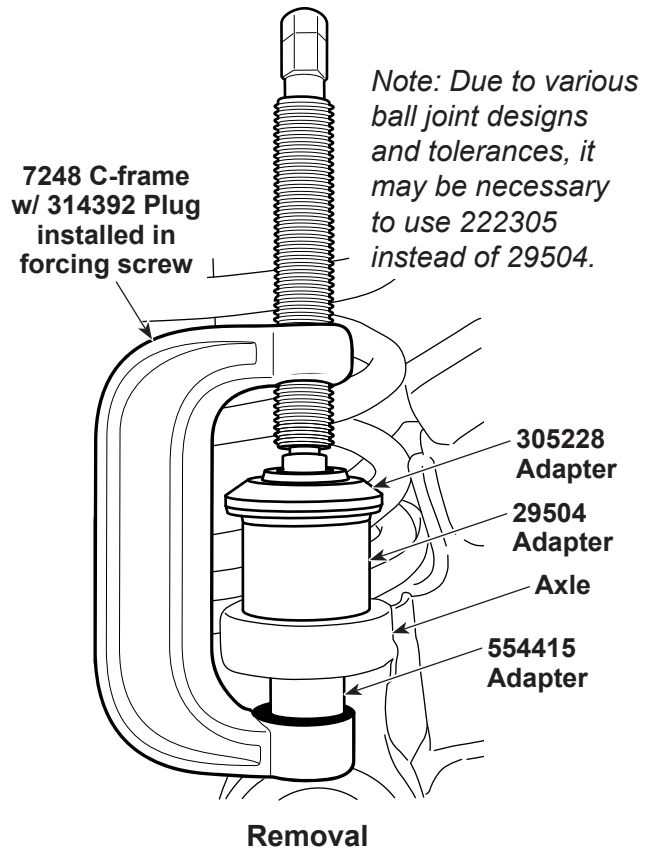
Application

Dodge Ram 1500 2006-2008, 2012
Dodge Ram 1500 Mega Cab 2006-2008
Dodge Ram 2500 2006-2013
Dodge Ram 3500 2006-2012

Note: Remove live center plug from C-frame forcing screw; replace it with 314392 plug supplied with this kit.

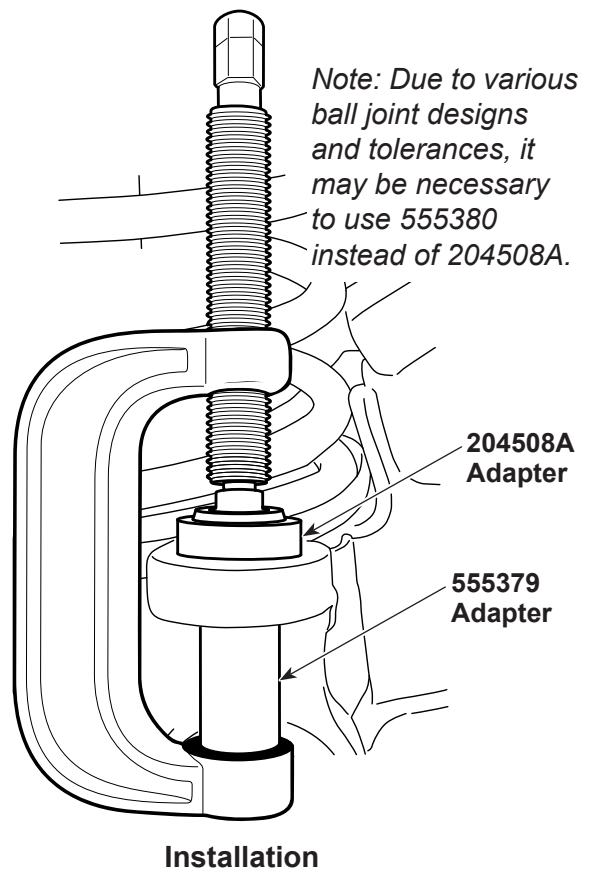
Removal

1. Remove dust boot.
2. Position components as shown.
3. Turn forcing screw until plug meets ball joint or adapter. Check alignment of all components.
4. Tighten forcing screw until ball joint is removed.



Installation

1. Clean ball joint bore in axle.
2. Insert new ball joint as straight as possible into axle.
3. Position components as shown.
4. Turn forcing screw until plug meets ball joint or adapter. Check alignment of all components.
5. Tighten forcing screw until ball joint is firmly seated.
6. Install dust boot.



Ball Joint: Lower Front

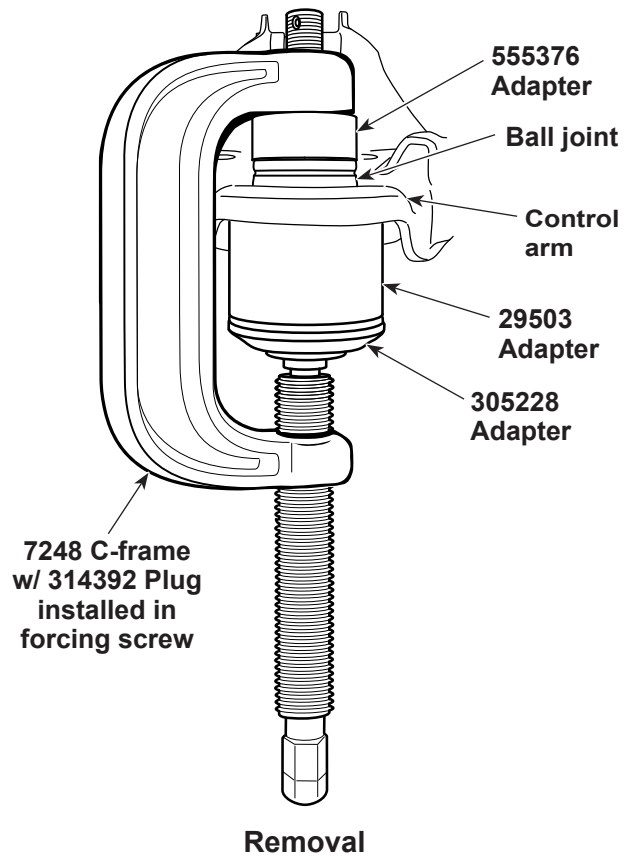
Application

- Dodge Ram Van 3500 w/ 4000 lb. axle 1995-2003
- Dodge Ram Van B100/200/300
w/ heavy duty suspension 1972-1980
- Dodge Ram Van B150/250/350
w/ heavy duty suspension 1981-1994

Note: Remove live center plug from C-frame forcing screw; replace it with 314392 plug supplied with this kit.

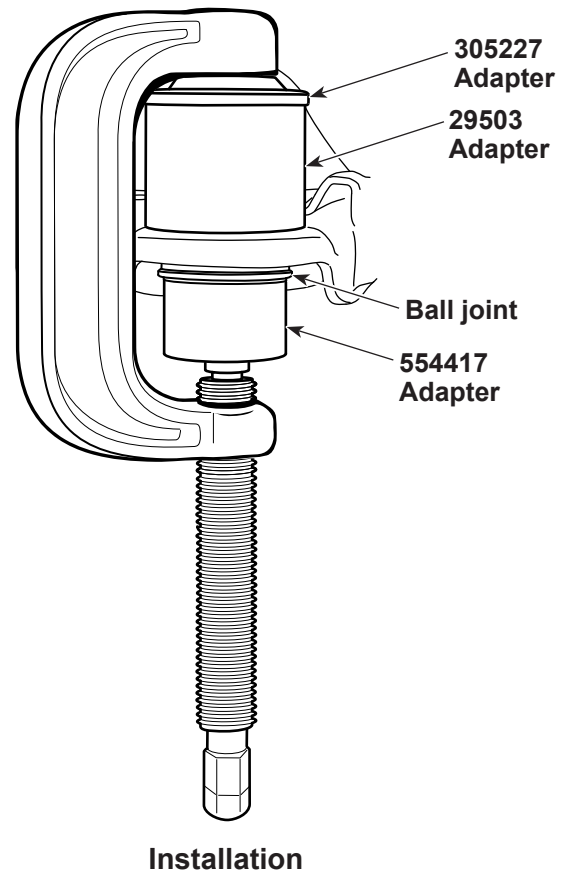
Removal

1. Remove dust boot.
2. Position components as shown.
3. Turn forcing screw until plug meets ball joint or adapter. Check alignment of all components.
4. Tighten forcing screw until ball joint is removed.



Installation

1. Clean ball joint bore in control arm.
2. Insert new ball joint as straight as possible into control arm.
3. Position components as shown.
4. Turn forcing screw until plug meets ball joint or adapter. Check alignment of all components.
5. Tighten forcing screw until ball joint is firmly seated.
6. Install dust boot.



Ball Joint: Lower Front

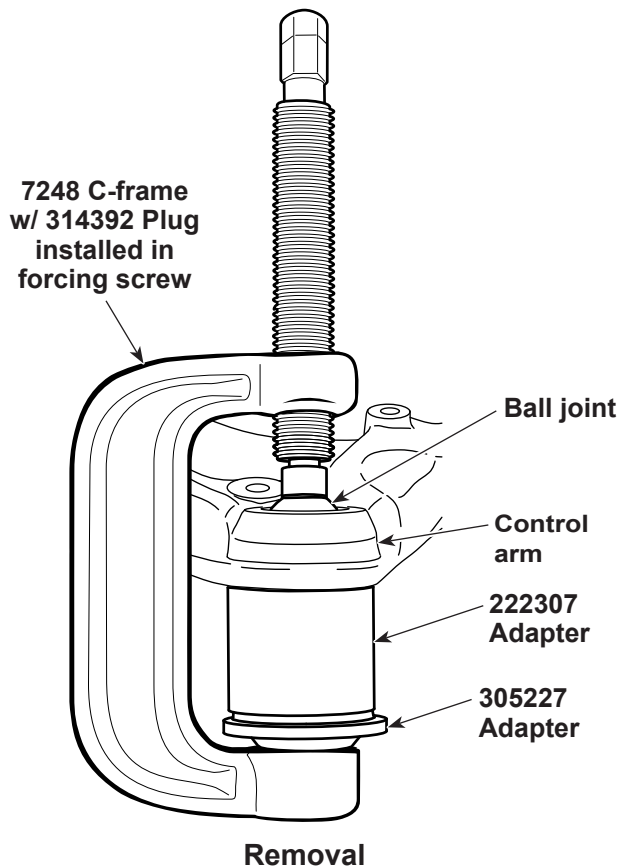
Application

Dodge Sprinter 2500/3500 2003-2006
Freightliner 2500/3500 2002-2006

Note: Remove live center plug from C-frame forcing screw; replace it with 314392 plug supplied with this kit.

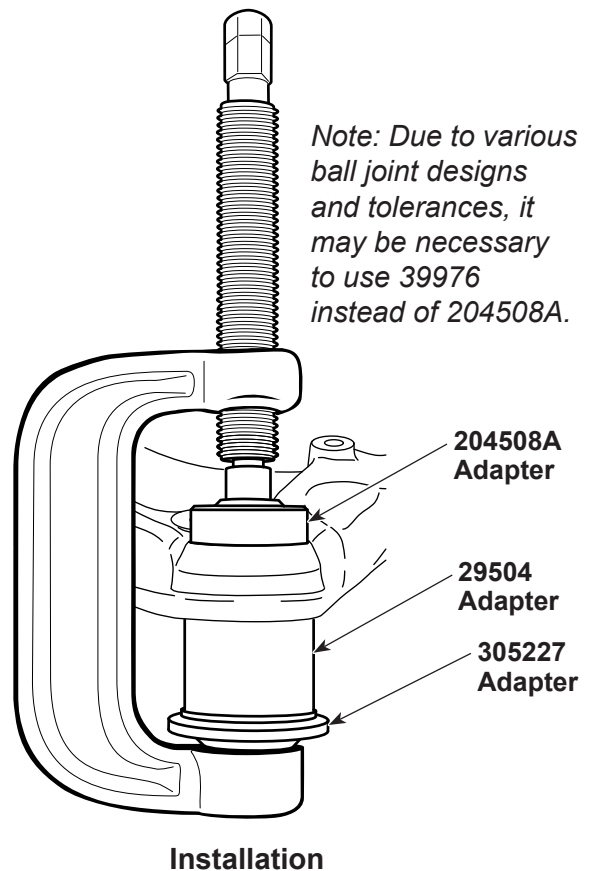
Removal

1. Remove dust boot.
2. Position components as shown.
3. Turn forcing screw until plug meets ball joint or adapter. Check alignment of all components.
4. Tighten forcing screw until ball joint is removed.



Installation

1. Clean ball joint bore in control arm.
2. Insert new ball joint as straight as possible into control arm.
3. Position components as shown.
4. Turn forcing screw until plug meets ball joint or adapter. Check alignment of all components.
5. Tighten forcing screw until ball joint is firmly seated.
6. Install dust boot.



Ball Joint: Upper Front

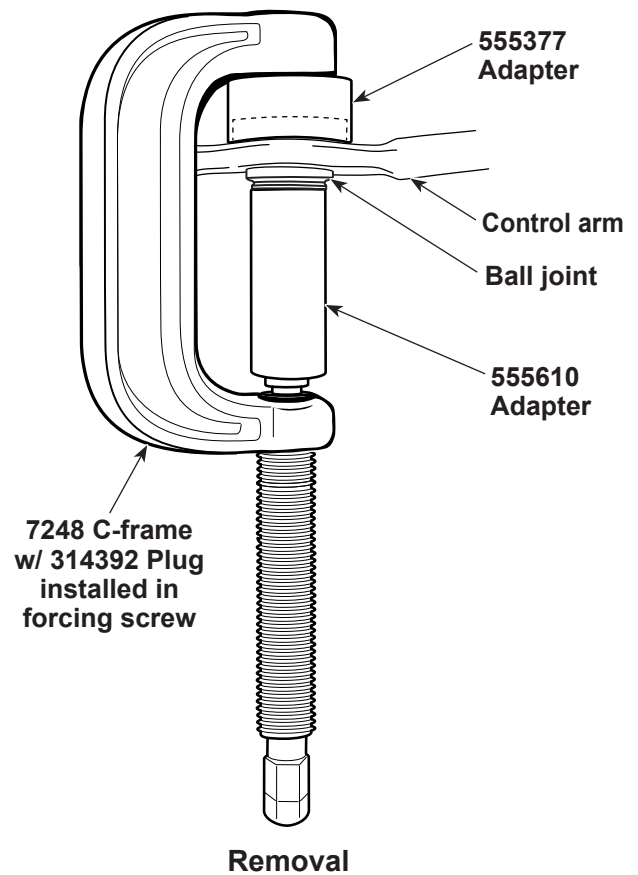
Application

Jeep Commander 2WD/4WD 2006-2007
Jeep Grand Cherokee 2WD/4WD 2005-2010

Note: Remove live center plug from C-frame forcing screw; replace it with 314392 plug supplied with this kit.

Removal

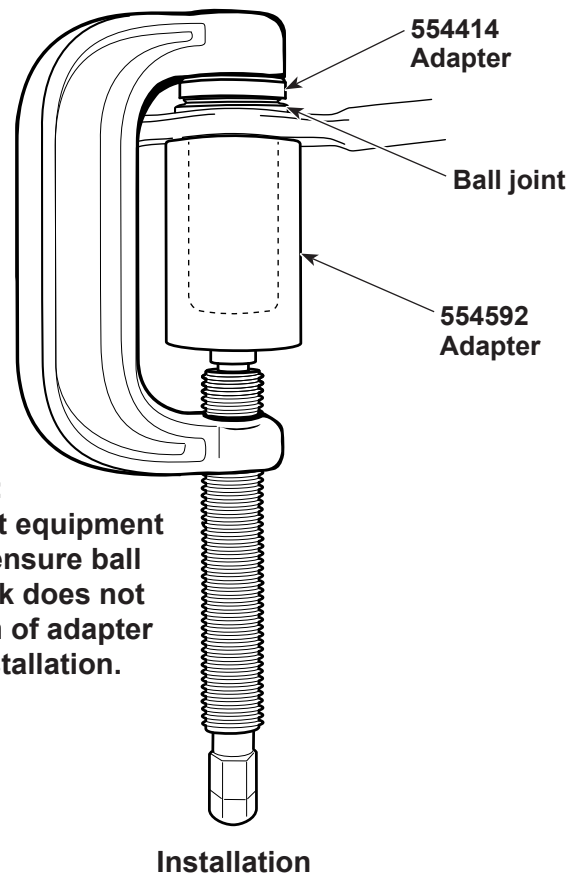
1. Remove dust boot.
2. Position components as shown.
3. Turn forcing screw until plug meets ball joint or adapter. Check alignment of all components.
4. Tighten forcing screw until ball joint is removed.



Installation

1. Clean ball joint bore in control arm.
2. Insert new ball joint as straight as possible into control arm.
3. Position components as shown.
4. Turn forcing screw until plug meets ball joint or adapter. Check alignment of all components.
5. Tighten forcing screw until ball joint is firmly seated.
6. Install dust boot.

CAUTION:
To prevent equipment damage, ensure ball joint shank does not hit bottom of adapter during installation.



Ball Joint: Lower Front

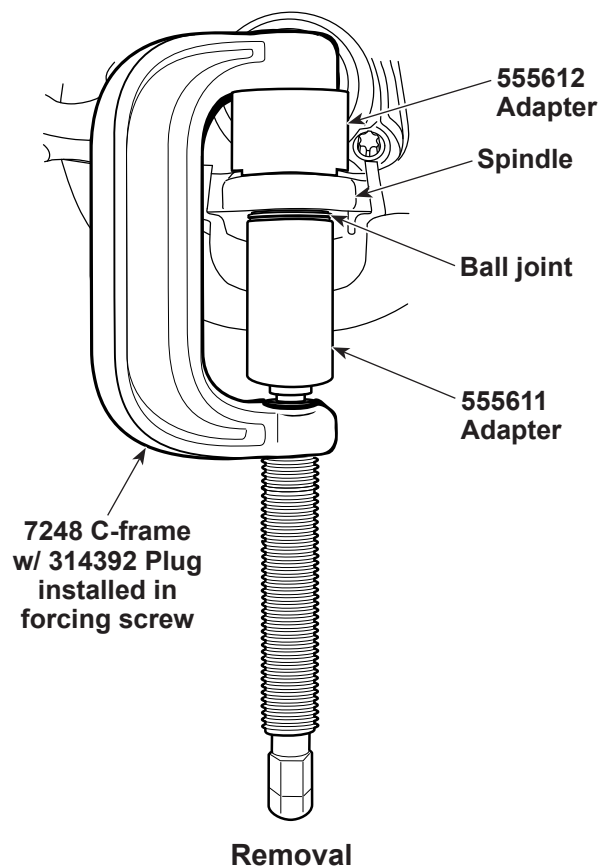
Application

Jeep Liberty 2WD/4WD 2002-2007

Note: Remove live center plug from C-frame forcing screw; replace it with 314392 plug supplied with this kit.

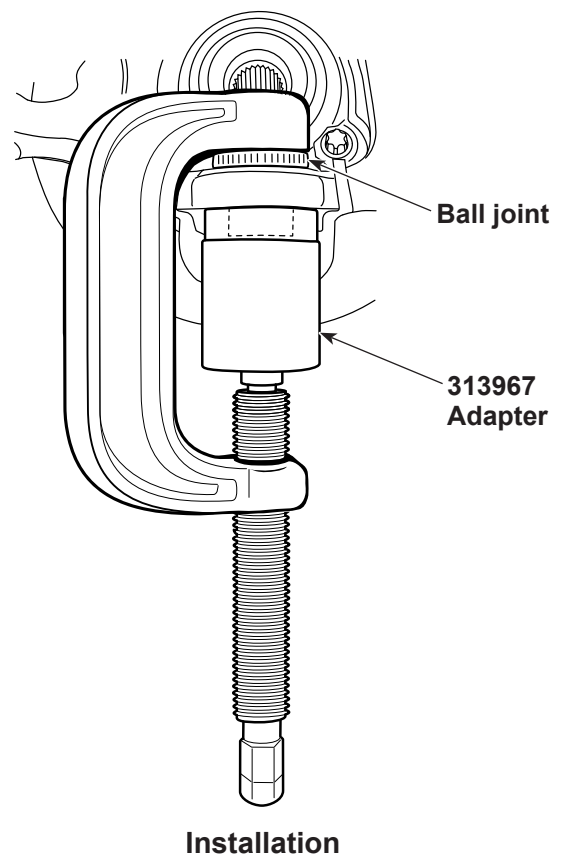
Removal

1. Remove dust boot.
2. Position components as shown.
3. Turn forcing screw until plug meets ball joint or adapter. Check alignment of all components.
4. Tighten forcing screw until ball joint is removed.



Installation

1. Clean ball joint bore in spindle.
2. Insert new ball joint as straight as possible into spindle.
3. Position components as shown.
4. Turn forcing screw until plug meets ball joint or adapter. Check alignment of all components.
5. Tighten forcing screw until ball joint is firmly seated.
6. Install dust boot.



Ball Joint: Lower Front

Application

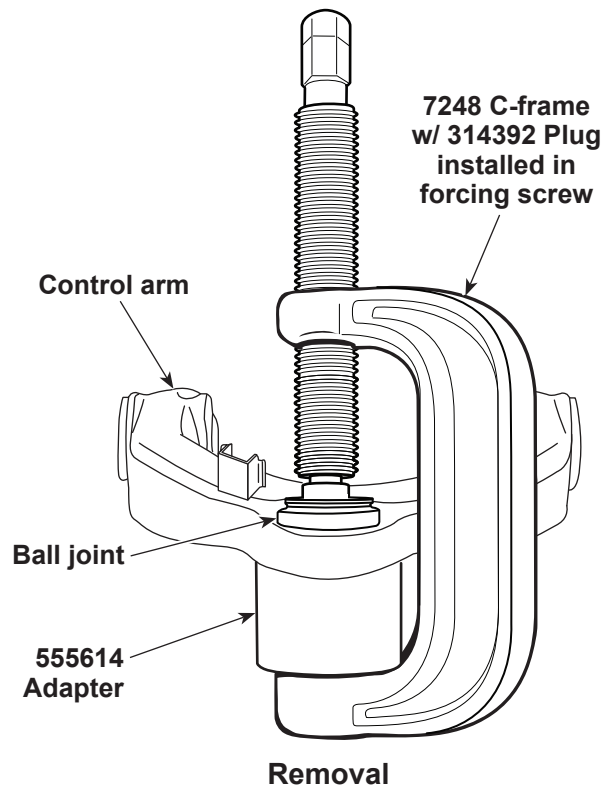
Lexus LX470 1998-2007

Toyota Land Cruiser 1998-2007

Note: Remove live center plug from C-frame forcing screw; replace it with 314392 plug supplied with this kit.

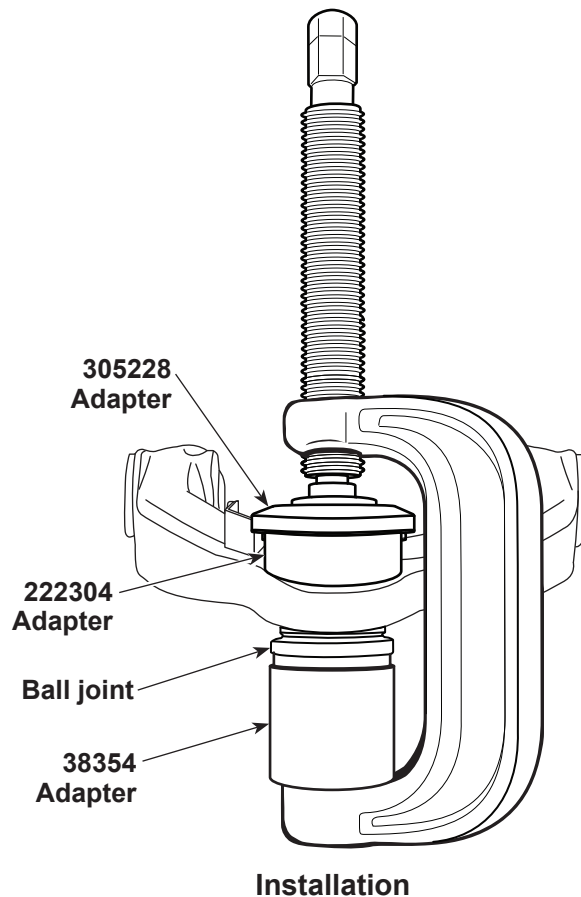
Removal

1. Remove dust boot.
2. Position components as shown.
3. Turn forcing screw until plug meets ball joint or adapter. Check alignment of all components.
4. Tighten forcing screw until ball joint is removed.



Installation

1. Clean ball joint bore in control arm.
2. Insert new ball joint as straight as possible into control arm.
3. Position components as shown.
4. Turn forcing screw until plug meets ball joint or adapter. Check alignment of all components.
5. Tighten forcing screw until ball joint is firmly seated.
6. Install dust boot.



Ball Joint: Lower Front

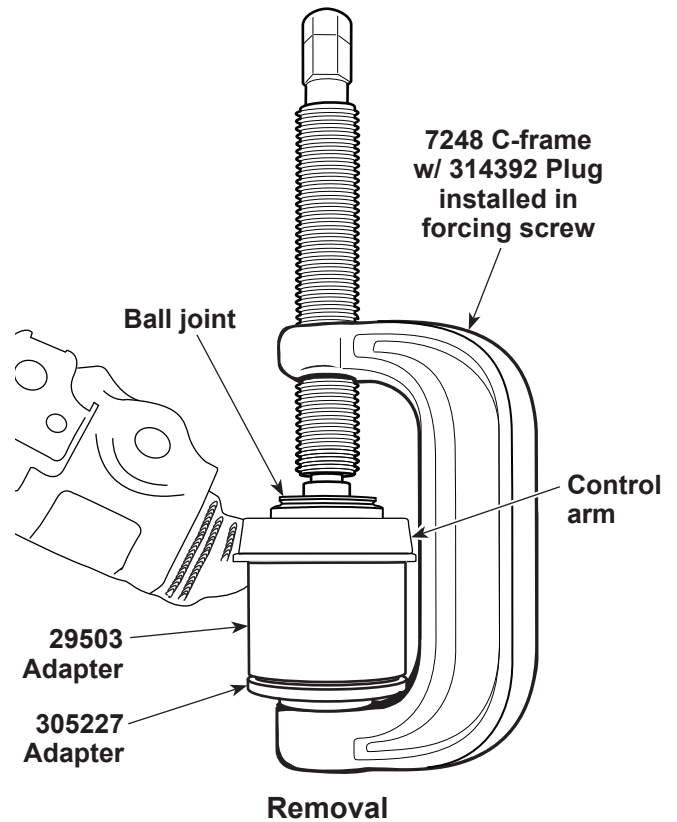
Application

Lexus LX570 2008-2011; 2013-2017
Toyota Land Cruiser 2008-2016
Toyota Sequoia 2008-2013
Toyota Tundra 2007-2017

Note: Remove live center plug from C-frame forcing screw; replace it with 314392 plug supplied with this kit.

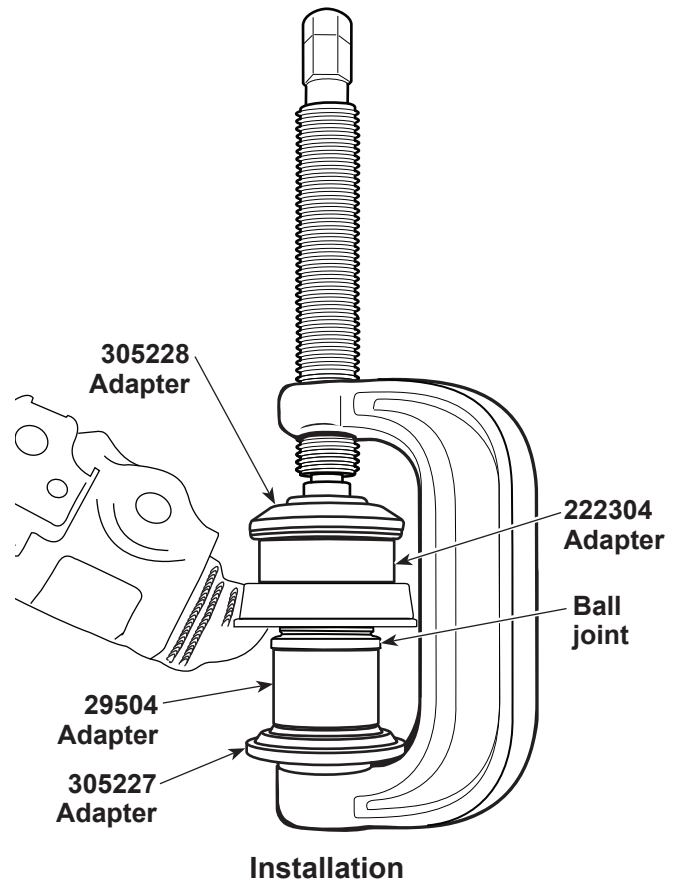
Removal

1. Remove dust boot.
2. Position components as shown.
3. Turn forcing screw until plug meets ball joint or adapter. Check alignment of all components.
4. Tighten forcing screw until ball joint is removed.



Installation

1. Clean ball joint bore in control arm.
2. Insert new ball joint as straight as possible into control arm.
3. Position components as shown.
4. Turn forcing screw until plug meets ball joint or adapter. Check alignment of all components.
5. Tighten forcing screw until ball joint is firmly seated.
6. Install dust boot.



Ball Joint: Upper Front

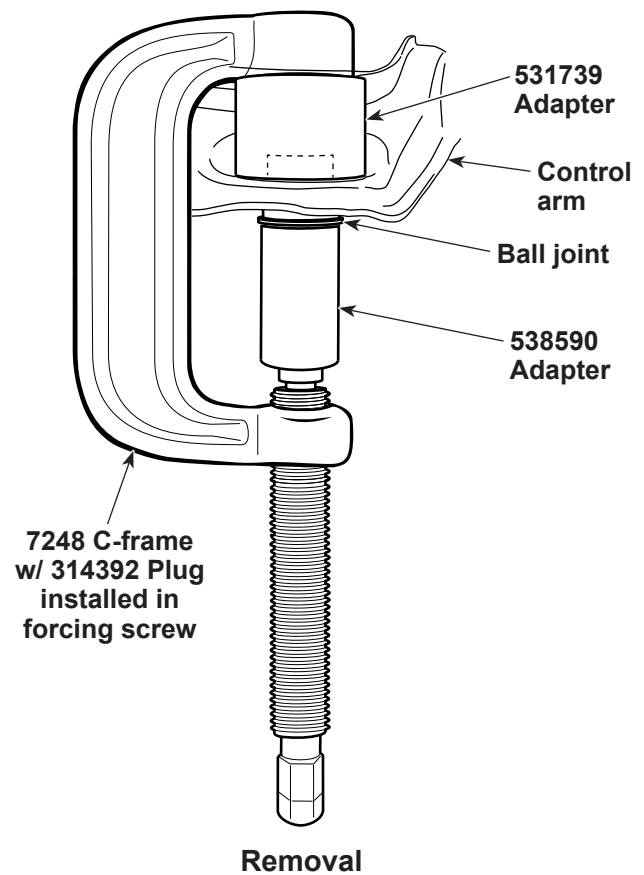
Application

Mitsubishi Mighty Max 1983-1996

Note: Remove live center plug from C-frame forcing screw; replace it with 314392 plug supplied with this kit.

Removal

1. Remove dust boot.
2. Position components as shown.
3. Turn forcing screw until plug meets ball joint or adapter. Check alignment of all components.
4. Tighten forcing screw until ball joint is removed.



Installation

1. Clean ball joint bore in control arm.
2. Insert new ball joint as straight as possible into control arm.
3. Position components as shown.
4. Turn forcing screw until plug meets ball joint or adapter. Check alignment of all components.
5. Tighten forcing screw until ball joint is firmly seated.
6. Install dust boot.

