

Encore Update Process

It is highly recommended to update the scan tool before use. This ensures the best user experience and vehicle coverage available. The update process is automatic; however it is based on preconditions being met. Below identifies these simple conditions.

Q. When can the Encore be updated?

A. The Encore scan tool can be updated when in Trial or Demo Mode as well as when registered.

Q. What conditions are required to DOWNLOAD an update?

A. The Encore scan tool must be turned on and connected to the Internet.

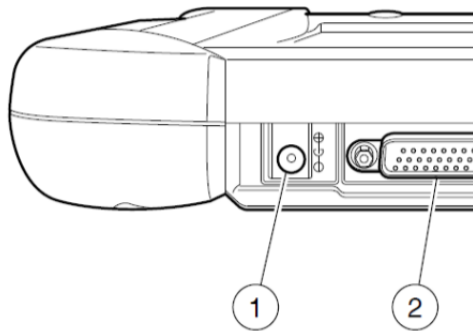
- No external power required to download
- No minimum battery life required to download
- There is an indicator in the upper left corner of the screen illustrating a download is in progress.

Once the download is complete you will be prompted to install the update. External power is not required to download the update, but is required to install. (See “What conditions are required to Install an update?” below).

Q. What conditions are required to INSTALL an update?

A. The following conditions are required to install a downloaded update:

1. Encore scan tool must be connected to the AC Power supply or the 12 volt power adapter connected to the Power Port. Encore will not install an update when connected to power via the DLC cable port. (See Figure A)



- 1. Power port
- 2. DLC cable port

Figure A

- 2. The Encore internal battery power must exceed 50%.

Q. How do I know the current version of Encore software?

A. From the Encore main menu screen select Service & Settings > About > see Launcher version number.

