



655 EISENHOWER DRIVE
 OWATONNA, MN 55060 USA
 PHONE: (507) 455-7000
 TECH. SERV.: (800) 533-6127
 FAX: (800) 955-8329
 ORDER ENTRY: (800) 533-6127
 FAX: (800) 283-8665
 INTERNATIONAL SALES: (507) 455-7223
 FAX: (507) 455-7063

Form No. SP04524210

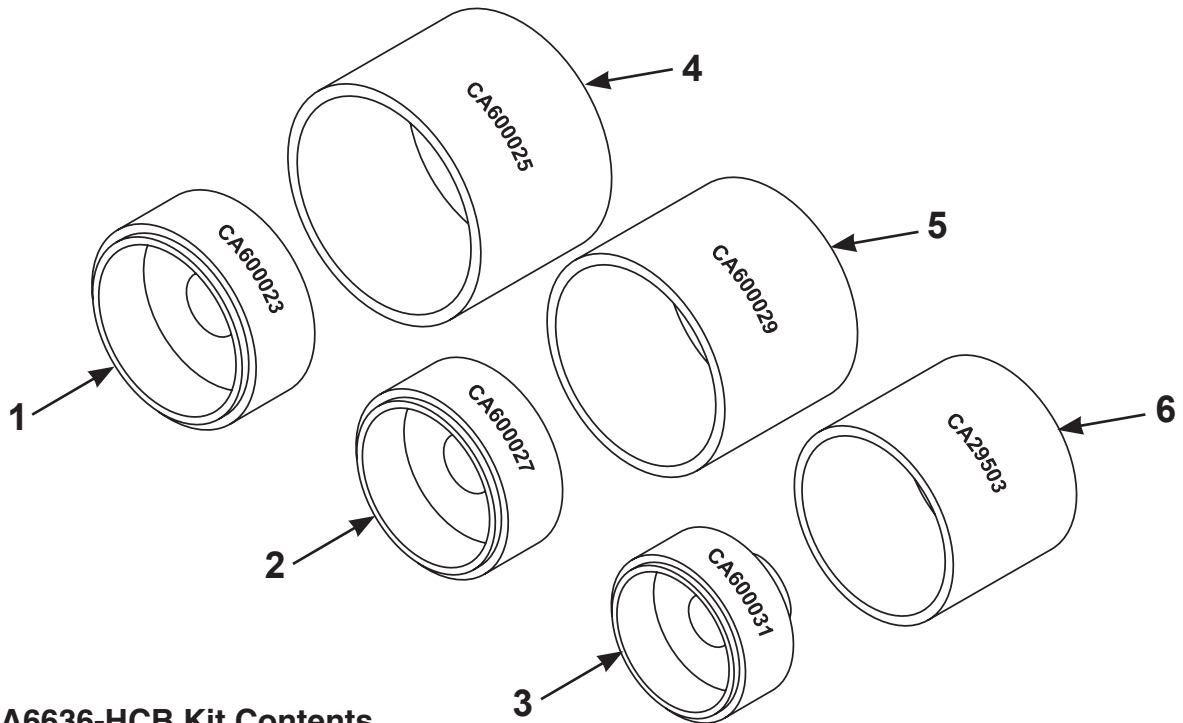
Parts List &
 Operating Instructions
 for:

CA6636-HCB

Honda Control Arm Bushing Connected Adapter Kit

Vehicle Applications:

2003 – 2012 Honda Accord	2003 – 2011 Honda Element
2004 – 2014 Acura TSX	2001 – 2005 Honda EL
2001 – 2015 Honda Civic	2002 – 2006 Honda CRV
2006 – 2011 Acura CSX	2002 – 2006 Acura RSX
2016 – 2018 Acura ILX	



CA6636-HCB Kit Contents

Item No.	Part No.	No. Req'd	Description
1	CA600023	1	Remove/Install Adapter
2	CA600027	1	Remove/Install Adapter
3	CA600031	1	Remove/Install Adapter
4	CA600025	1	Remove/Install Adapter
5	CA600029	1	Remove/Install Adapter
6	CA29503	1	Remove/Install Adapter

Contact Technical Services at 1-800-533-6127 with any questions.

(en-US)

© Bosch Automotive Service Solutions Inc.

Page 1 of 3

Issue Date: Rev. A, January 8, 2021

Explanation of Safety Signal Words

The safety signal word designates the degree or level of hazard seriousness.



DANGER: Indicates an imminently hazardous situation which, if not avoided, will result in death or serious injury.



WARNING: Indicates a potentially hazardous situation which, if not avoided, could result in death or serious injury.



CAUTION: Indicates a potentially hazardous situation which, if not avoided, may result in minor or moderate injury.

CAUTION: Used without the safety alert symbol indicates a potentially hazardous situation which, if not avoided, may result in property damage.

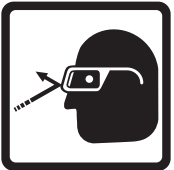
SAFETY PRECAUTIONS



WARNING: To prevent personal injury or equipment damage,



- Study, understand, and follow all instructions before operating this device.



- Wear eye protection that meets OSHA and ANSI Z87.1 standards.

- Only qualified personnel shall perform inspections to this tool.



- Before using, inspect the tool and adapters for bends, cracks, dents, elongated holes, or missing hardware. If damage is found, discontinue use.

- Before repairing a vehicle, block all the wheels to prevent movement.



- Check final alignment of tooling and components before using the C-frame press to exert pressure.

- No alterations shall be made to this product as this will void the warranty.

- Use this tool only for its intended purpose.

OPERATING INSTRUCTIONS

Lower Control Arm Bushing Removal and Installation

This tool set is designed for use on Honda lower control arms with press-in type bushings.

Removal

1. Remove the lower control arm from the vehicle following the vehicle manufacturer's service manual.
2. Clamp the control arm securely in a bench vice.
3. Based on the bushing diameter, select the corresponding removal adapters and assemble as shown in Figures 1 and 2.
4. Tighten the forcing screw to remove bushing, see Figure 2.

A. CA600025
B. CA600029
C. CA29503

Figure 1

A. CA600023
B. CA600027
C. CA600031

Control Arm

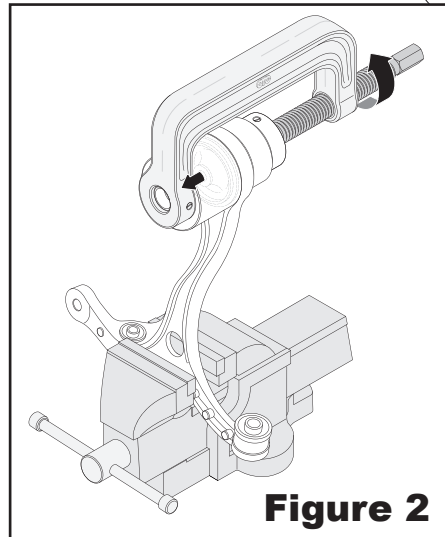


Figure 2

A. CA600023
B. CA600027
C. CA600031

Installation

1. Clean the control arm and coat the bushing hole with a suitable lubricant.
2. Insert the replacement bushing as straight as possible into the vehicle control arm.
3. Select the same adapters that were used for the bushing removal and assemble as shown in Figures 3 and 4.
4. Tighten forcing screw slowly to ensure bushing is installing straight. Adjust as necessary. Continue turning forcing screw until bushing is centered within control arm. See Figure 4.

A. CA600025
B. CA600029
C. CA29503

Figure 3

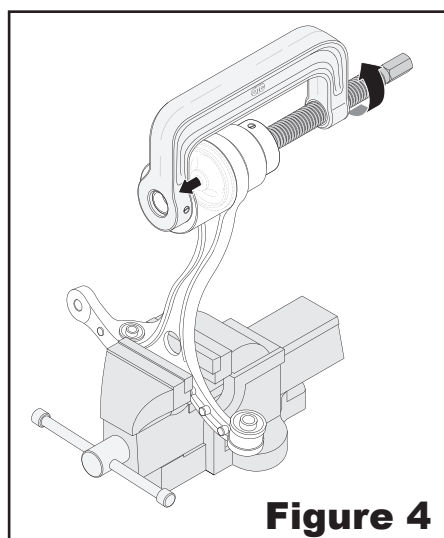


Figure 4