



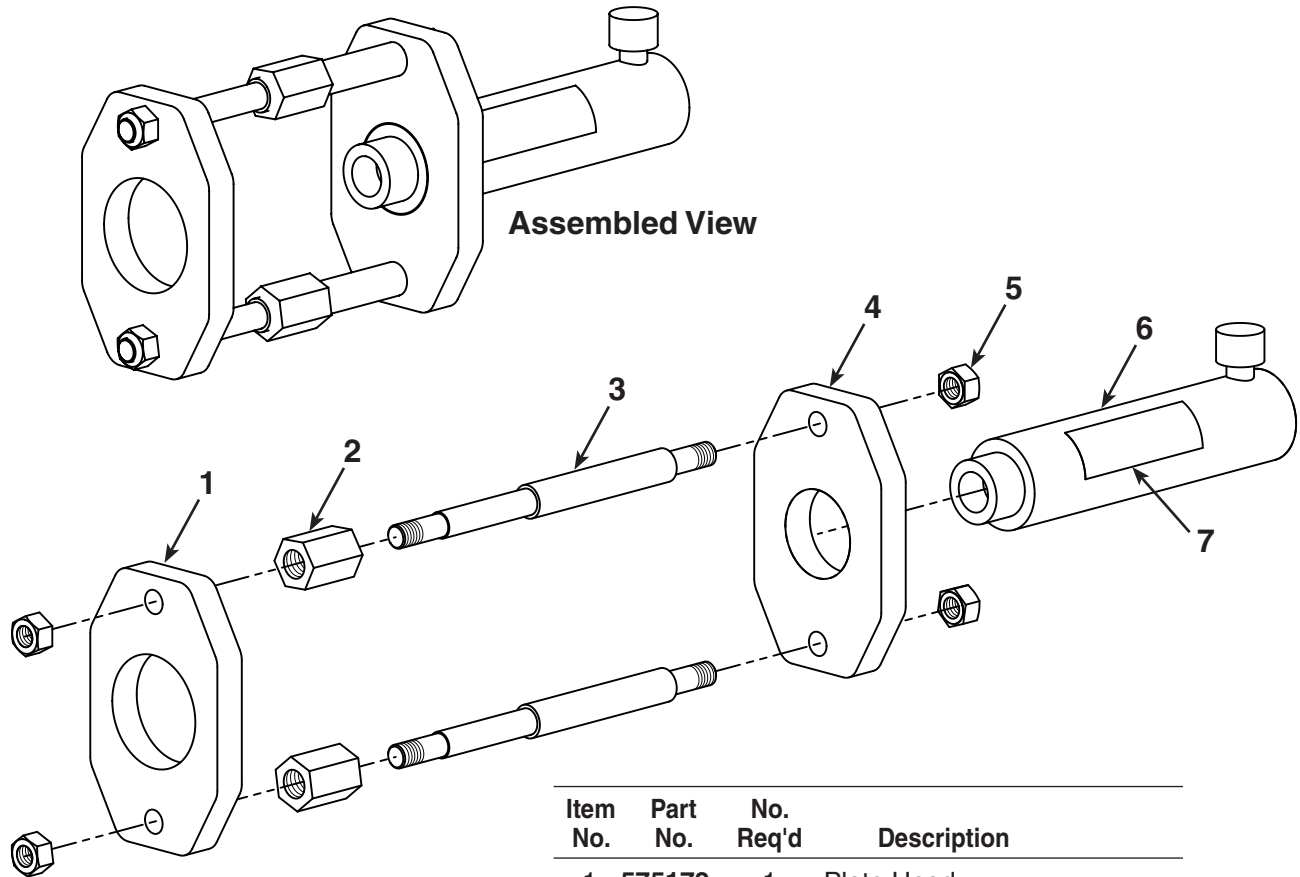
655 Eisenhower Drive
 Owatonna, MN 55060 USA
 Phone: (507) 455-7000
 Tech. Serv.: (800) 533-6127
 Fax: (800) 955-8329
 Order Entry: (800) 533-6127
 Fax: (800) 283-8665
 International Sales: (507) 455-7223
 Fax: (507) 455-7063
 Website: otctools.com

Form No. SP04500075

Parts List
 for:

4263

Suspension Bushing Tool



Item No.	Part No.	No. Req'd	Description
1	575172	1	Plate Head
2	575169	2	Clamping Nut
3	575170	2	Threaded Rod
4	575173	1	Cylinder Mounting Plate
5	576924	1	Hex Nut Kit (contains 4 nuts)
6	4106A	1	Hydraulic Cylinder (25 Ton)
7	575166	1	Warning Decal



Order replacement parts
 at OTCparts.com

This document contains product parts lists and information regarding operation and maintenance. Items listed in the parts list have been carefully tested and selected by OTC. Therefore, use only OTC replacement parts.

Product questions may be directed to the OTC Technical Service Department at (800) 533-6127.

Sheet No. 1 of 1

Issue Date: Rev. A May 16, 2018