



655 EISENHOWER DRIVE
OWATONNA, MN 55060 USA
PHONE: (507) 455-7000
TECH. SERV.: (800) 533-6127
FAX: (800) 955-8329
ORDER ENTRY: (800) 533-6127
FAX: (800) 283-8665
INTERNATIONAL SALES: (507) 455-7223
FAX: (507) 455-7063

Form No. SP04524297

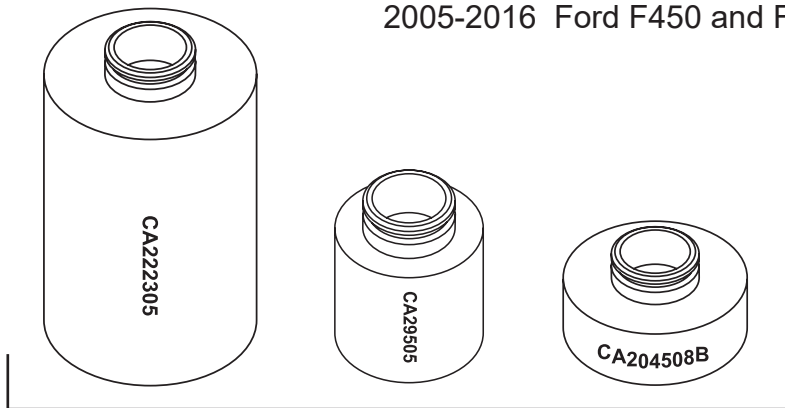
Operating Instructions for Ford Track Bar Ball Joint Replacement

(Using Ball Joint Connected Adapters: CA222305, CA29505, CA204508B, CA580523)

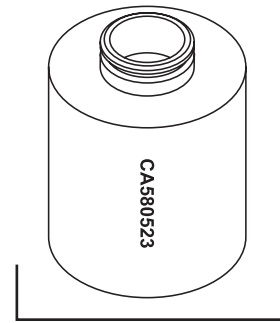
Vehicle Applications:

2005-2019 Ford F250 and F350

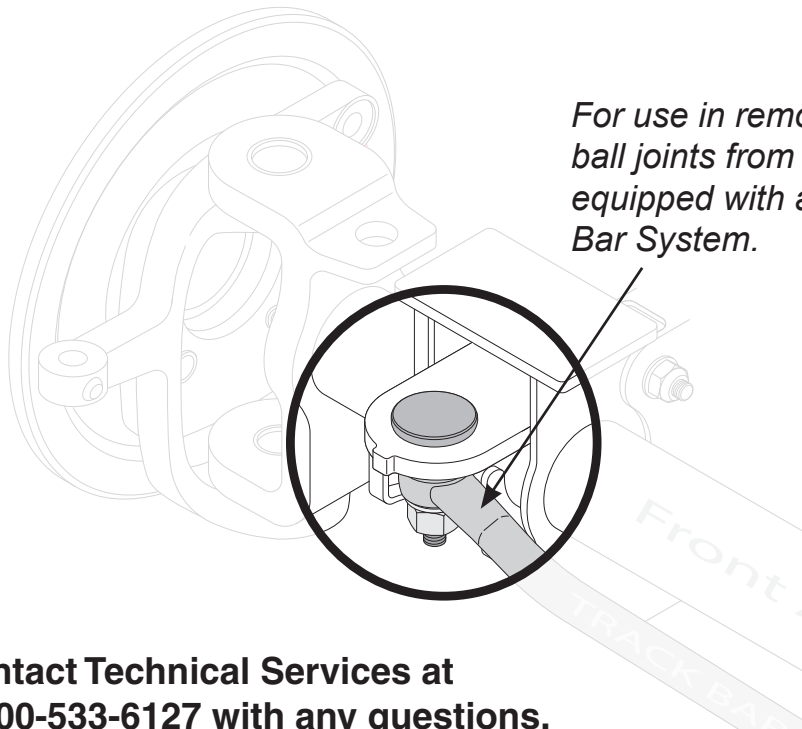
2005-2016 Ford F450 and F550



Adapters from Starter Kit CA7149



CA580523 is an individually purchased adapter.



*For use in removing
ball joints from vehicles
equipped with a Track
Bar System.*

NOTE: The connected adapters shown on this page may be used on other non-track bar ball joint applications as they apply.

Contact Technical Services at
1-800-533-6127 with any questions.

(en-US)

© Bosch Automotive Service Solutions Inc.

Page 1 of 4

Issue Date: Rev. A, December 14, 2020

Explanation of Safety Signal Words

The safety signal word designates the degree or level of hazard seriousness.



DANGER: Indicates an imminently hazardous situation which, if not avoided, will result in death or serious injury.



WARNING: Indicates a potentially hazardous situation which, if not avoided, could result in death or serious injury.



CAUTION: Indicates a potentially hazardous situation which, if not avoided, may result in minor or moderate injury.

CAUTION: Used without the safety alert symbol indicates a potentially hazardous situation which, if not avoided, may result in property damage.

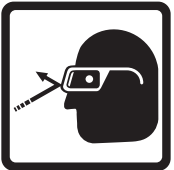
SAFETY PRECAUTIONS



WARNING: To prevent personal injury or equipment damage,



- Study, understand, and follow all instructions before operating this device.



- Wear eye protection that meets OSHA and ANSI Z87.1 standards.



- Only qualified personnel shall perform inspections to this tool.



- Before using, inspect the tool and adapters for bends, cracks, dents, elongated holes, or missing hardware. If damage is found, discontinue use.

- Before repairing a vehicle, block all the wheels to prevent movement.

- Check final alignment of tooling and components before using the C-frame press to exert pressure.

- No alterations shall be made to this product as this will void the warranty.

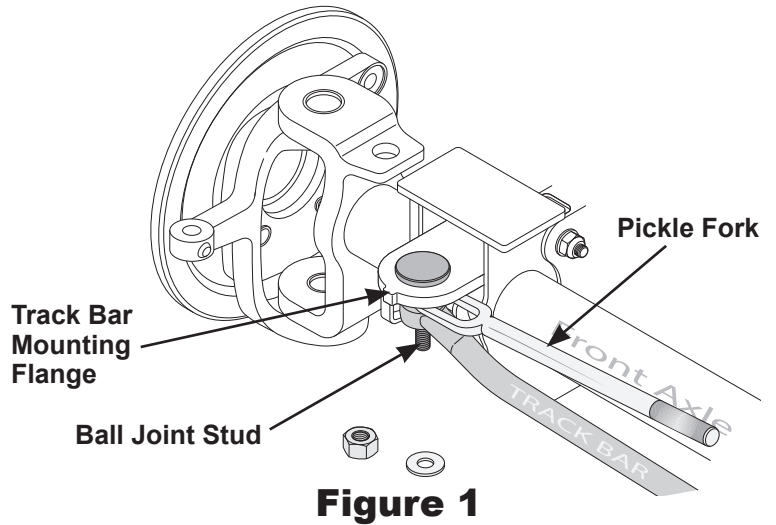
- Use this tool only for its intended purpose.

OPERATING INSTRUCTIONS

(Track Bar Removal)

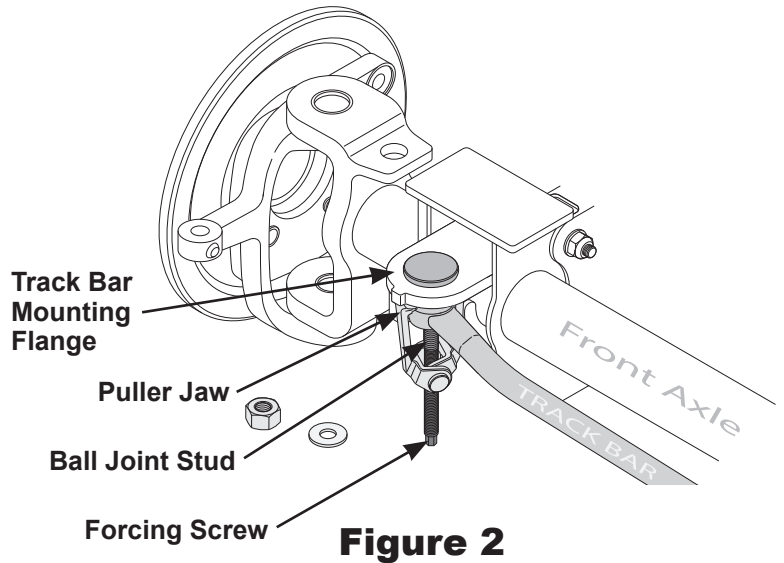
Using 6535 Pickle Fork (See Fig. 1)

1. Remove the nut and washer from the bottom of the ball joint stud.
2. Place the pickle fork in between the track bar mounting flange and the track bar eyelet. Hammer on the end of the pickle fork until the track bar eyelet is removed from the ball joint stud.



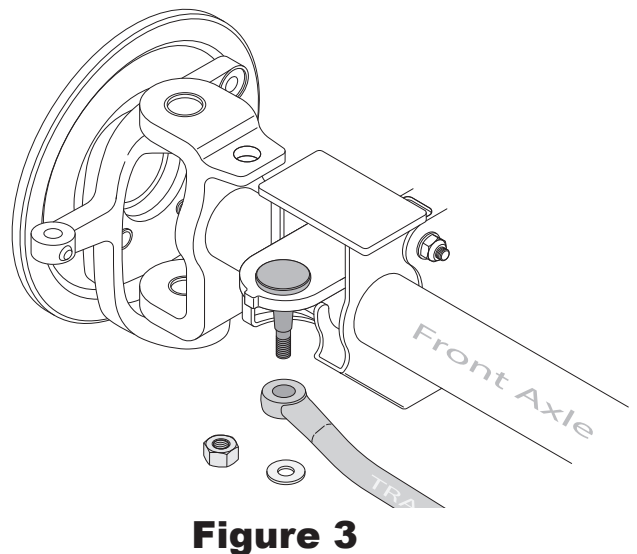
Using 7503HD Puller (See Fig. 2)

1. Remove the nut and washer from the bottom of the ball joint stud.
2. Fully retract forcing screw and clamp puller jaws on the upper portion of the track bar eyelet.
3. Tighten forcing screw until the track bar eyelet is removed from the ball joint stud.



Track Bar Removed (See Fig. 3)

When track bar is removed from the ball joint stud, see next page for ball joint removal and installation instructions.



OPERATING INSTRUCTIONS

(Removing and Installing Ball Joint)

Ball Joint Removal (See Fig. 4)

1. Remove and discard old dust boot.
2. Position components as shown.
3. Turn forcing screw until all the components connect with the track bar mounting flange. Check alignment of all components.
4. Tighten forcing screw until ball joint is removed.

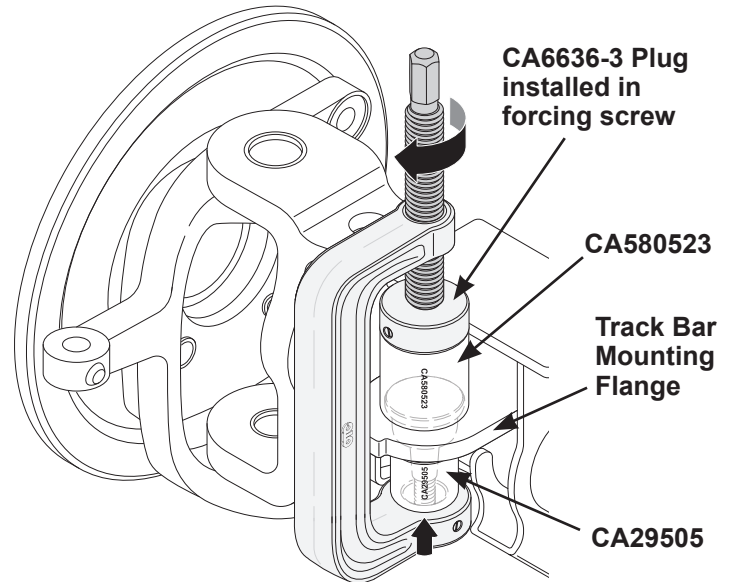


Figure 4

Ball Joint Installation (See Fig. 5)

Note: Refer to ball joint manufacturer instructions for more detailed information.

1. Clean ball joint bore in track bar mounting flange.
2. Insert new ball joint as straight as possible into the track bar mounting flange.
3. Position components as shown.
4. Turn forcing screw until all the components connect with the track bar mounting flange. Check alignment of all components.
5. Tighten forcing screw until ball joint is firmly seated.

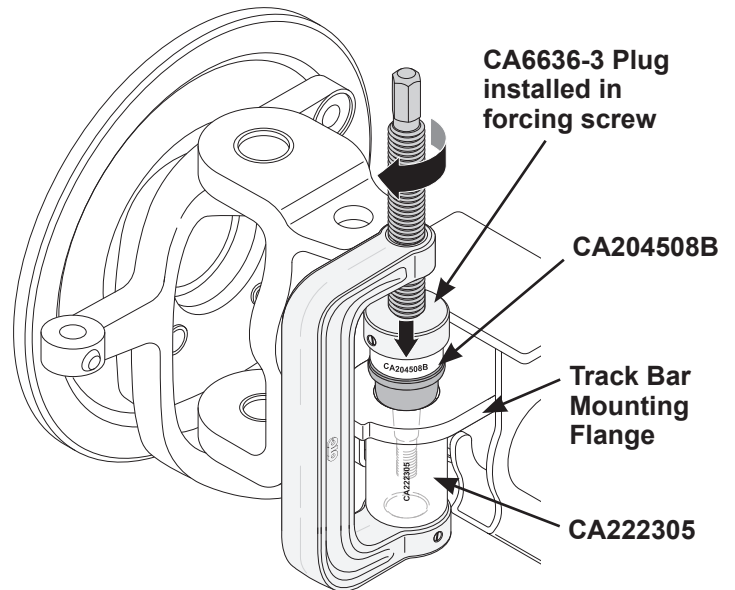


Figure 5

Note: If new dust boot and ball joint do not fit inside the adapter during installation, remove dust boot and reattach after installation.