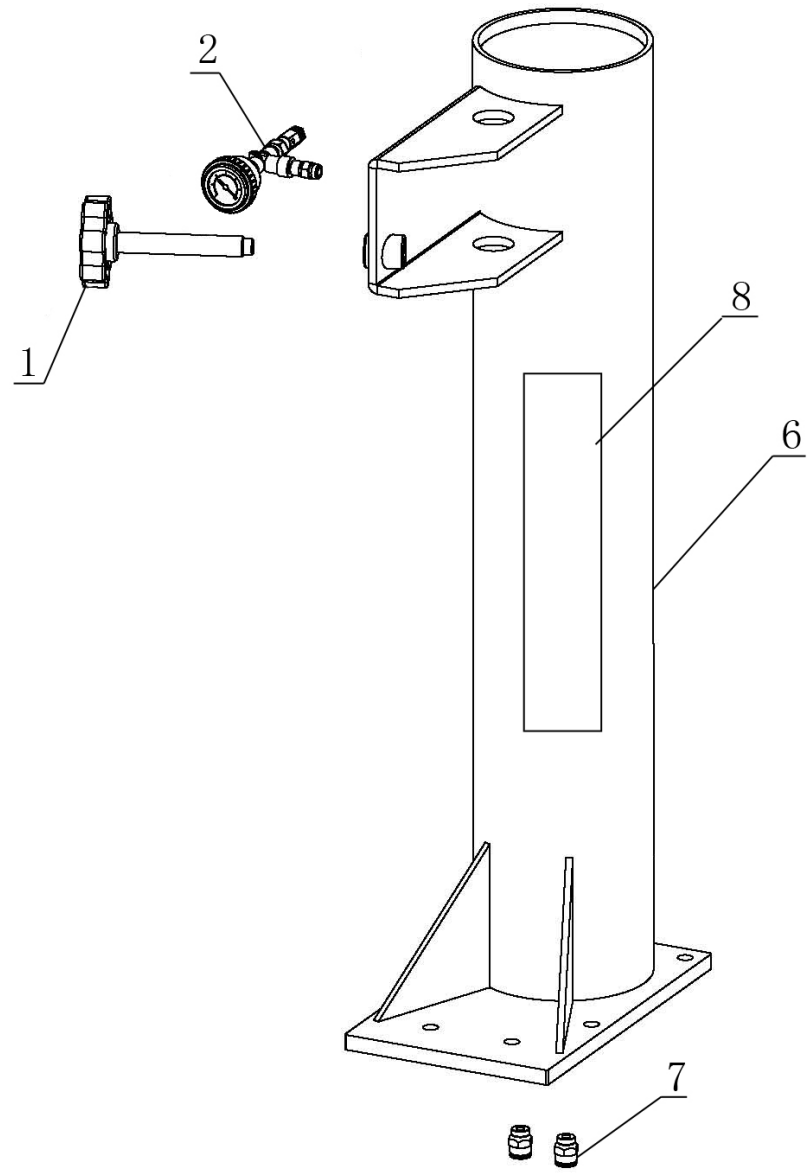


ASSEMBLY			
ITEM/NO	PART NO.	DESCRIPTION.	INCLUDE
1	5010032	SCREW M12X25	
2	6000106	PRESS COVER	
3	<u>6000705</u>	<u>TURNTABLE ASSEMBLY</u>	
4A		CLAMP WASHER	5004002,5010058,5004031,6000618
8	<u>6000321</u>	<u>AIR GUIDER ASSEMBLY</u>	6000082,5004109,5004056,6000083,6000084,5504457,6000018, 5010151,5010231,9000141,9000142,9000143,9000144
11	6000270	GEARBOX ASSEMBLY	5004060,5000055,5010078,6000353,6000277,5004208,5010079, 5010002,6000276,5010001,6000355,5000015,6000273,5010208, 5010080,9010076,6000275,5010081,5010077,6000356,5010003, 9000458,5004006,5004005,5004004,5004105,5006003,5010004
15	5004076	BELT A-26	
17	<u>6000180</u>	MOTOR ASSEMBLY	6000181-1,5004005,6000182,9006031,5010041,5010043,6000183, 6000184,5010056,5010232,5011008,6000181-2,9000449
18	<u>6000014</u>	BEAD BREAKER CYLINDER ASSEMBLY	6000027,5010105,5005032,5000007,5010204,5010203,6004083, 6000299,5010097,6000297,5010202,6000279,5010114,6000280, 5010042,5004051
19	<u>6000285</u>	<u>QUICK INFLATION PEDAL ASSEMBLY</u>	
20	5000018	WASHER 8	
21	5004046	WASHER 8	
22	5002060	NUT M8	
23	5010064	SCREW M10X25	
24	5010006	WASHER 10	
25	<u>6000200</u>	<u>PEDAL ASSEMBLY</u>	
26	6005019	PROTECTIVE COVER	
27	6005021	BODY	
28	5010077	BOLT M8X20	
29	5004111	NUT M18-N	

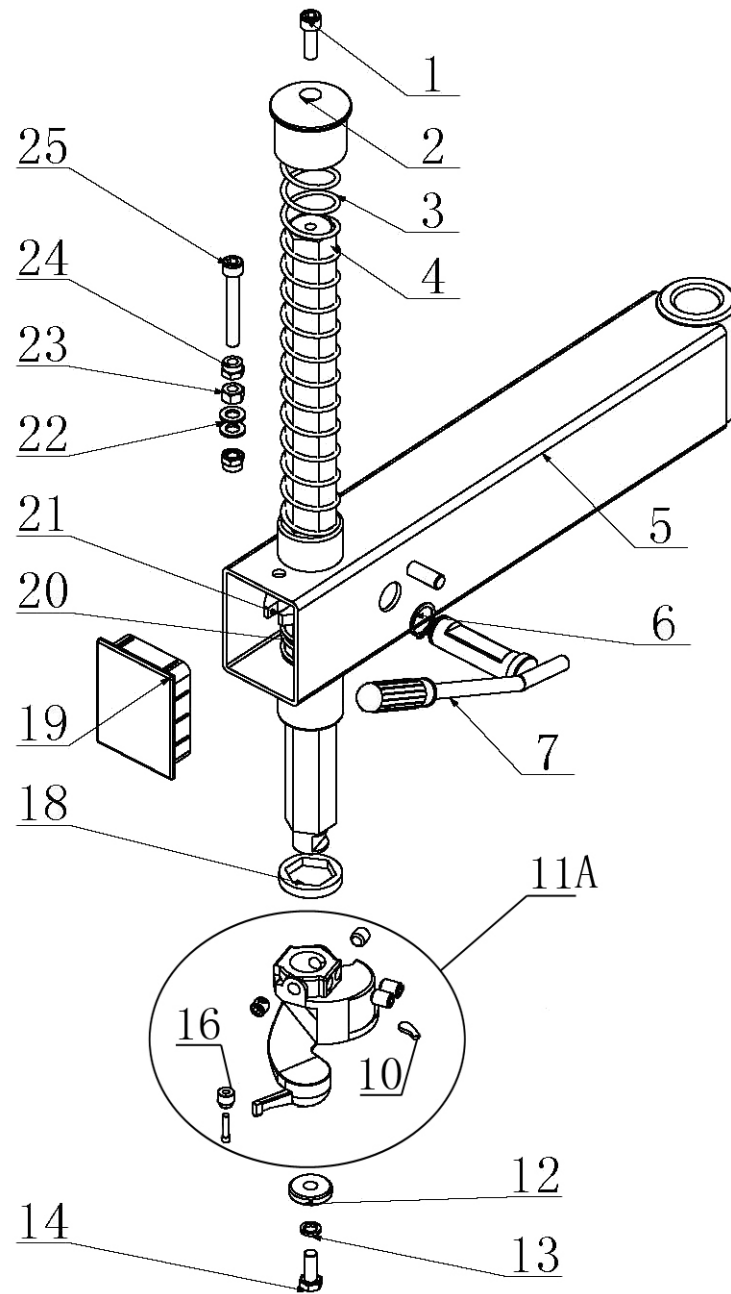
33	<u>6000140</u>	<u>QUICK EXHAUST VALVE ASSEMBLY</u>	6000330,5004205,5004206,5004083,6002005,5000007,5010058, 5010074,5004207,9005837,9005137,9005817,9005117
34	5010087	SCREW M10X16	
35	6005022	SIDE PANEL	
36	5004093	GREASE CONTAINER	5004093 , 5004093-1
37	5004092	BRACKET	
39	5004094	CROWBAR	
40	5004102	RUBBER FOOT	
41	5009015	SCREW M6X16-N	
42	5004218	RIM SUPPORT	
43	6000308	BEAD BREAKER BLADE	
44	5004213	RUBBER WASHER	
45	2010030	WASHER	
46	5010091	WASHER 14	
47	5010090	NUT M14	
48	5502049	CABLE CONNECTOR	
49	6000357	BEAD BREAKER	
50	6000360	SPRING	
51	5004107	CABLE	
54	5004042	NUT M16-N	
55	5010026	WASHER 16	
57	5004014	BOLT M16X100N	
58	5006007	SCREW M5X12	
59	5502047	TOOL BOX	
60	5004096	AIR REGULATOR ASSEMBLY AND WATER SEPARATOR ASSEMBLY	MV1041-A3,9000417,9000477,9000717,MV1041-A2,9000432,MV1041-A1, 9000753
61	5004108	TEE 08-U02	
62	5004078	INSERT FITTING	
63	9004032	SCREW M6X20-N	
64	5010020	WASHER 12	
65	5010025	WASHER 12	

66	5010099	BOLT M12X45	
67	5010100	BOLT M12X80	
68	6005027	ADJUSTING WASHER	
69	5004215	NUT M16	
70	6010036	SHAFT WASHER	
71	<u>6005023</u>	<u>VERTICAL COLUMN ASSEMBLY</u>	6005068,5004109,9004211,5004101,6000305,5502048
72	6005014	ROCKER VERTICAL SHAFT	
73	6005020	SWING ASSY	
74	6000306	INFLATION GAUGE COVER ASSEMBLY	6002007,5504057,6002010,5000068,5000063,5004049,5004056, 5004202,6002009,5010083,5004203,6002013,9004050,9003056, 9003057,9003058,9003059,9003060,5000007,5004001
77	9000415	Sliding Sleeve	
78	934	protection hood sticker	
79	9000411	Bead Breaker Sticker	
89	9000348	Elastic Washer	
90	9000671	Flat Washer	
92	9000672	Flat Washer	
94	9000674	Oblate first screw	
95	9000675	SWITH	
100		connector	
101	6000181-2	Capacitor	



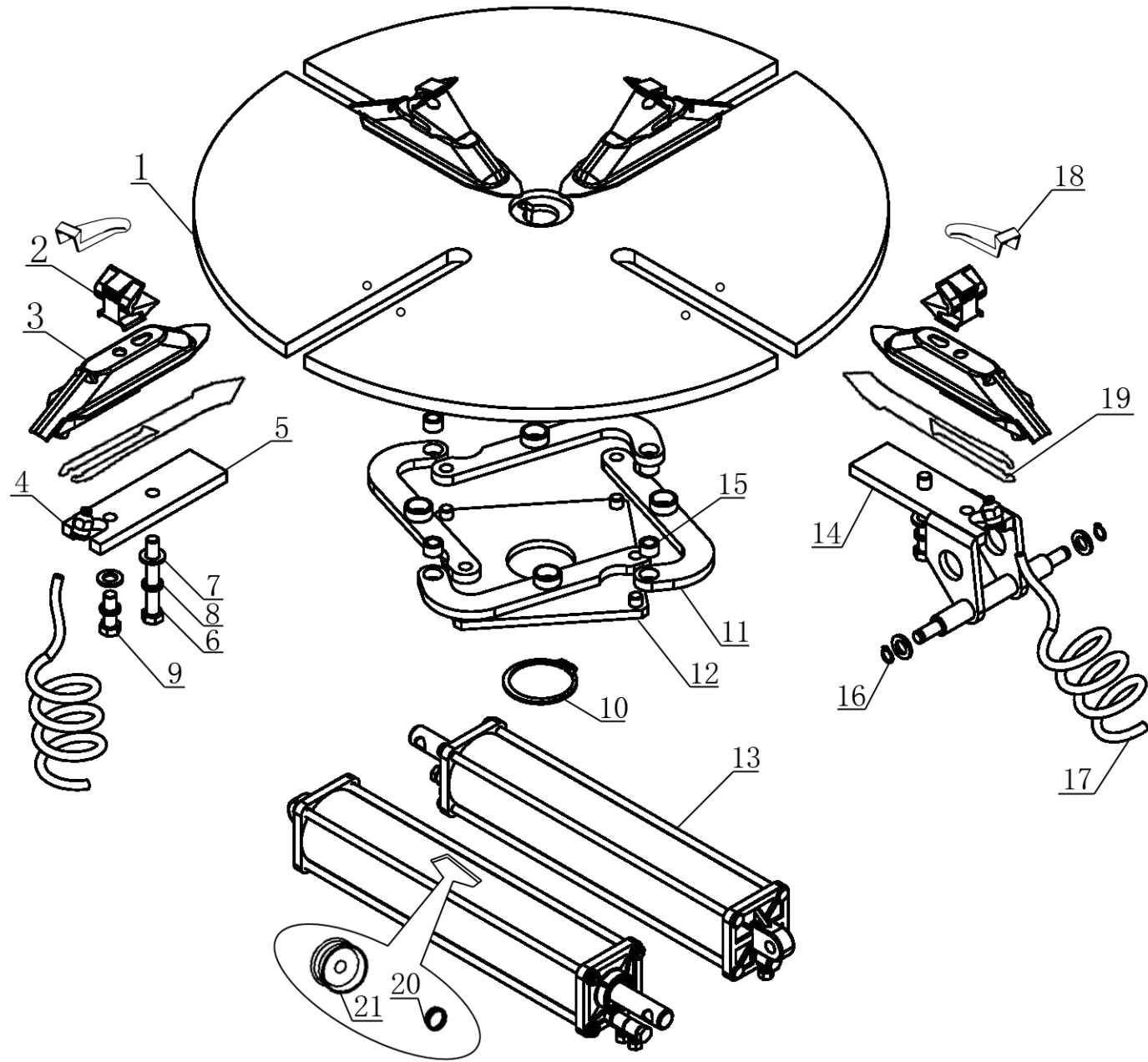
6005023 VERTICAL COLUMN ASSEMBLY

ITEM NO	PART NO.	DESCRIPTION.	INCLUDE
1	5502048	HANDLE WHEEL	
2		PRESSURE GAUGE	9004211,5004211,5004101,6000305
6	6005068	VERTICAL COLUMN	
7	5004109	INSERT FITTING R3/8" Φ12	
8	9000677	Vertical Arm Sticker	



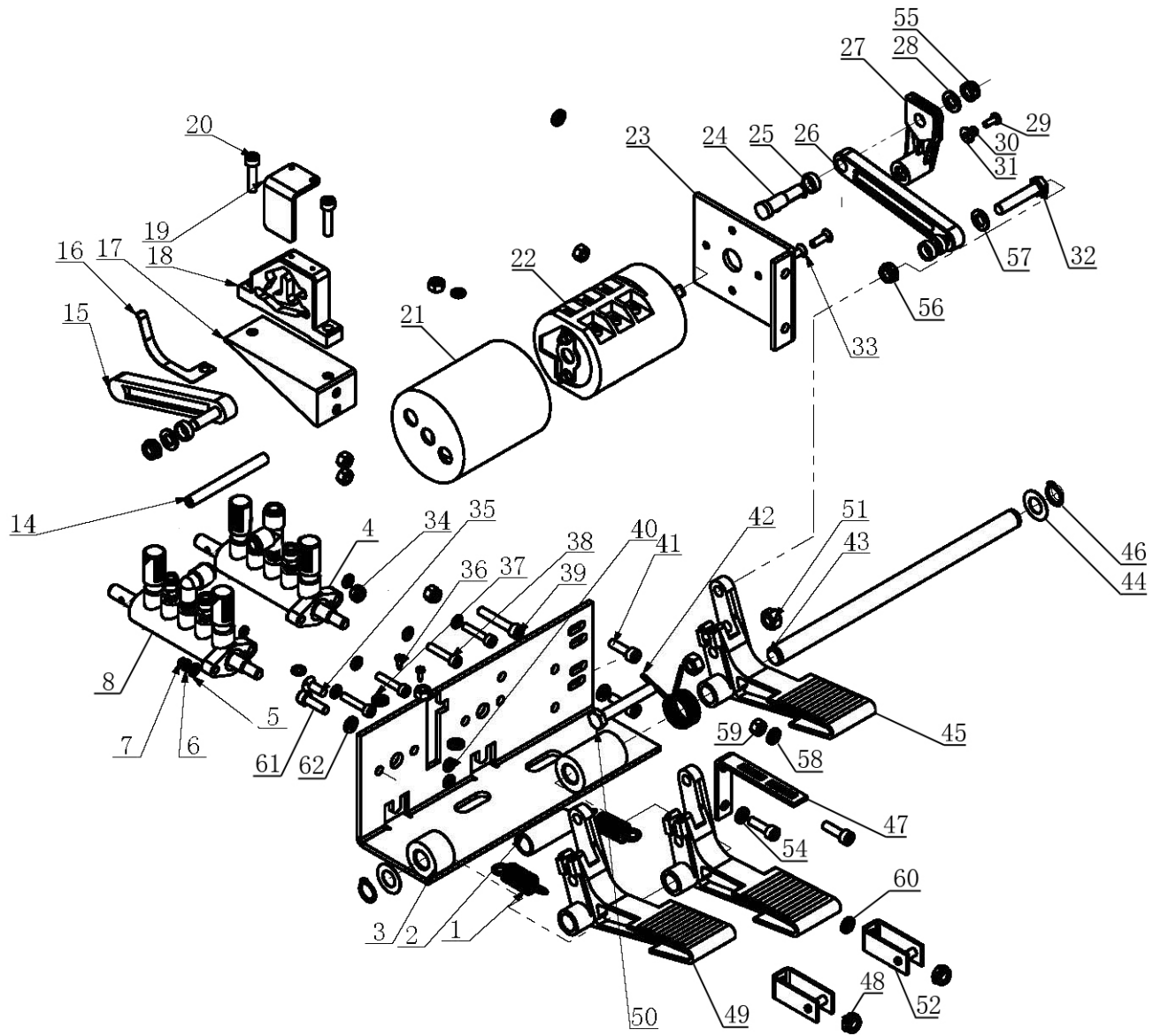
6005020 SWING ARM ASSEMBLY

ITEM NO	PART NO.	DESCRIPTION.	INCLUDE
1	5000033	SCREW M10X30	
2	5004200	VERTICAL SHAFT COVER	
3	6005011	VERTICAL SHAFT SPRING	
4	6005017	HEXAGON SHAFT	
5	6005016	SWING ARM	
6	5002030	CIRCLIP 25	
7		LOCK HANDLE	6010042,6008091
10	5502044	PLASTIC COVER	
11A		DEMOUNTING HEAD	5004118,5004023,5502044,5004116,5004117,5004021,9004119
12	5004201	PRESS WASHER	
13	5010006	WASHER 10	
14	5004020	BOLT M10X25	
18	5004115	SHOCK ABSORBER WASHER	
19	6005018	DECORATING COVER	
20	5502052	VERTICAL SHAFT SPRING	
21	5502053	HEXAGON LOCK PLATE	
22	5006005	WASHER 10	
23	5010004	NUT M10	
24	5006001	NUT M10	
25	5000034	SCREW M10X70-N	



TURNTABLE ASSEMBLY

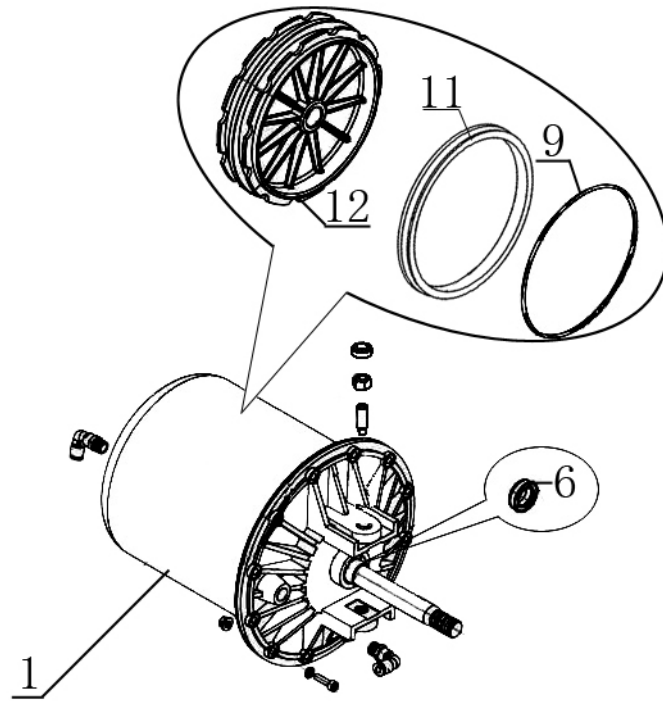
ITEM NO	PART NO.	DESCRIPTION.	INCLUDE
1	6000706	TURNTABLE	
2	6000107	CLAMP	
3	6000707	CARRIER/COVER-CLAMP	
4	5010036	INSERT FITTING	
5	6000262	BOTTOM CHUTE PRESS PLATE	
6	5010127	BOLT M12X85	
7	5010020	WASHER 12	
8	5010025	WASHER 12	
9	5010033	BOLT M12X35	
10	5010030	CIRCLIP 65	
11	6000135	LINL-PIVOT	
12	6000105	PLATE-PIVOT	
13	6000050	CYLINDER ASSEMBLY	6000021,5010024,6000007,5010003,6000004,6000010,5010021, 6000008,6000022,6000011,5000021,5010025,6000023,6000003, 6000009,6000024,6000017
14	6000133	CARRIER/COVER-CLAMP	
15	6000109	PULL BOARD SHEATH	
16	5010061	CIRCLIP 12	
17	5508221	SCREW HOSE	
18	9000108	Claw Sleeve	
19		safety cover	
20	6000007	Y-RING	
21	6000011	PISTON-W/WSHR,ASSY	



6000200 PEDAL ASSEMBLY

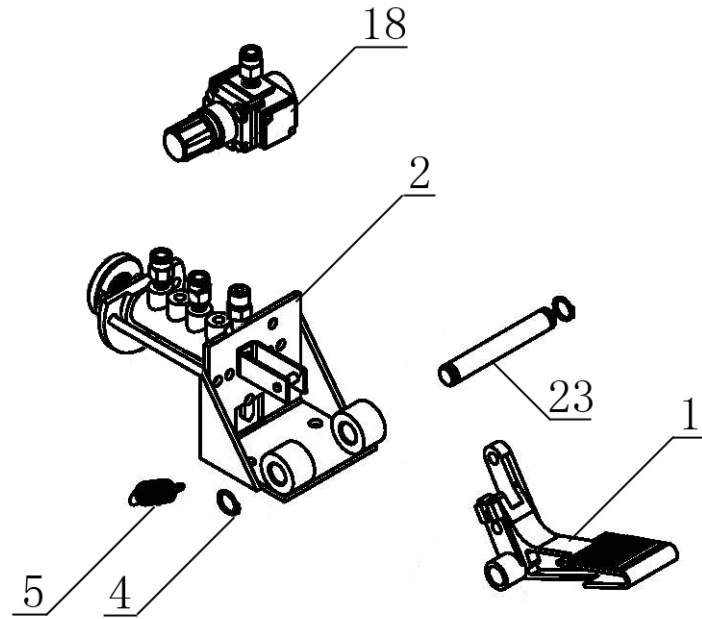
ITEM NO	PART NO.	DESCRIPTION.	INCLUDE
1	6000216	SPRING	
2	6000208	SPACER	
3	6000221	PEDAL SUPPORT	
4	6000227	VALVE-A	9000657,9000658,9000659,9000660,9000661,9000662,9000663, 9000664,5010047,5002065,5010059
5	5010045	WASHER 5	
6	5004045	WASHER 5	
7	5011008	NUT M5	
8	6000222	VALVE-B	9000657,9000658,9000659,9000660,9000661,9000662,9000663, 9000664,5010047,5002065,5004050
14	5010049	HOSE 8-5MM	
15	6000226	VALVE CONNECTING ROD	
16	6000204	FORK SPRING PLATE	
17	6000201	CAM BRACKET	
18	6000211	CAM	
19	6000217	CAM PLATE	
20	5006006	SCREW M6X25	
21	6000215	SWITCH COVER	
22	5010055	SWITCH	
23	6000213	SWITCH SUPPORT	
24	6000209	ROTATION SHAFT	
25	6000205	SPACER	
26	6000210	CONNECTION ROD	
27	6000212	REVERSE LEVER	
28	5000018	WASHER 8	
29	5008030	SCREWS M4×10	
30	5000068	WASHER 4	

ITEM NO	PART NO.	DESCRIPTION.	INCLUDE
31	5004049	WASHER 4	
32	5004036	BOLT M8X40	
33	5010126	SCREW M5X16	
34	5004008	NUT M6	
35	5011003	SCREW M6X16	
36	5010057	SCREW ST2.9X9.5	
37	5000007	WASHER 6	
38	5004063	SCREW M5X25-N	
39	5004031	SCREW M6X35	
40	5010058	WASHER 6	
41	5004032	SCREW M6X20-N	
42	6000220	TORSION SPRING	
43	6000207	BOTTOM SHAFT	
44	6000228	WASHER-12x0.5	
45	6000391	PEDAL	
46	5010053	CIRCLIP 14	
47	6000203	TORSION SPRING BRACKET	
48	5010003	NUT M8	
49	6000214	PEDAL	
50	5011005	BOLT M8X55	
51	5002060	NUT M8	
52	6000398	BRACKET	
54	9000531	Elastic Washer	
55	9000649	NUT-LOCK	
56	9000650	nut-lock	
57	9000651	furreul	
58	9000652	flat washer	
59	9000653	nut-hex	
60	9000654	furreul	
61	9000655	screw	
62	9000656	flat washer	



BEAD BREAKER CYLINDER ASSEMBLY

ITEM NO	PART NO.	DESCRIPTION.	INCLUDE
1		BEAD BREAKER CYLINDER ASSEMBLY	6000027,5010105,5005032,5000007,5010204,5010203,6004083,6000299,5010097,6000297,5010202,6000279,5010114,6000280,5010042,5004051,5010012,5000086,5004070
6	5010203	Y-RING	
9	5010097	O-RING 185	
11	5010202	Y-RING	
12	6000279	PISTON	



6000285 QUICK INFLATION PEDAL ASSEMBLY

NO	PART NO.	DESCRIPTION.	INCLUDE
1	6000293	PEDAL	
2		INFLATION VALVE ASSEMBLY	5010213,6000295,6000224,6000286,6000292,6000287,5010225, 5010075,6000291,5004037,6000289,6000288,5004062,5011008, 5504757,5004097,6000290,6000202,5010003,5010045,5004061, 5004063,5004045,5004008,6000206,9004125,9004126,9004127
4	5010053	CIRCLIP 14	
5	5000216	SPRING	
18		5010076,9004058	
23	6000294	SHAFT	